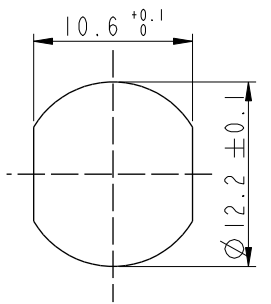


THIS DOCUMENT IS SUBJECT TO CHANGE WITHOUT NOTICE. IT IS CONFIDENTIAL AND A PROPERTY OF Amphenol LTW. DISCLOSURE TO THIRD PARTY HAS TO BE AUTHORIZED BY Amphenol LTW.

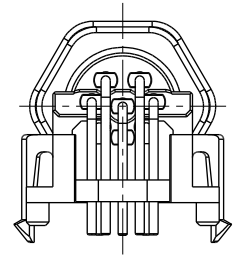
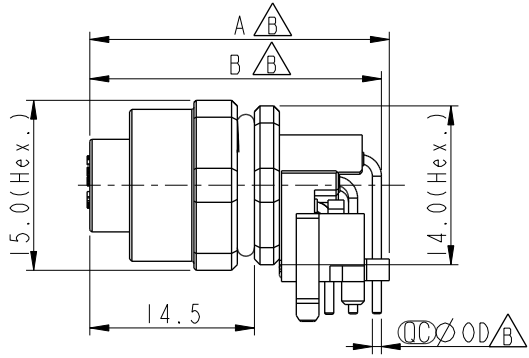
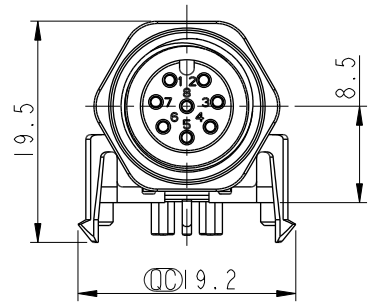
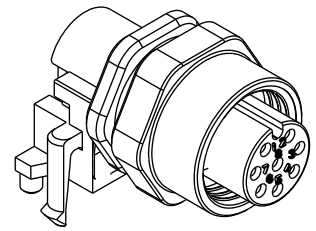
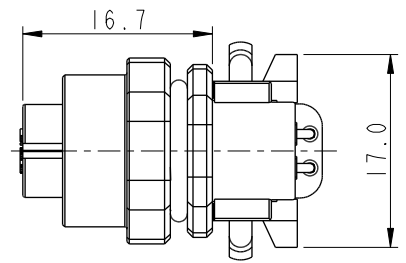
REV.	ECN NO.	DATE	SIGN	DESCRIPTION
B	C190510	2019-03-21	Su Nan	Add The Size Table
C	C200275	2020-03-13	Nan_Su	△C X1
D	C210309	2021-03-09	Ruru	△D X4



Recommended Panel Cut-Out

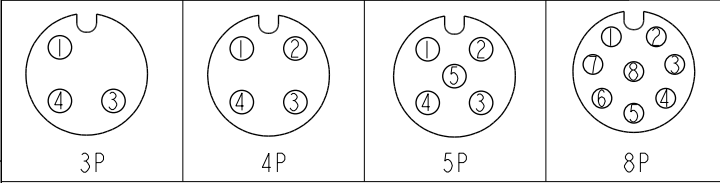
△D MSAS-XXPFFR-SF7003

XX: No. Of Pin

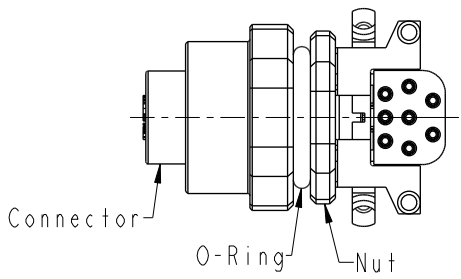


MSAS-03PFFR-SF7003	26.6	25.5	1.0
MSAS-04PFFR-SF7003	26.6	25.5	1.0
MSAS-05PFFR-SF7003	26.6	25.5	1.0
MSAS-08PFFR-SF7003	26.4	25.7	0.8

Item No.	A	B	OD	△B
----------	---	---	----	----



Pin Assignment Front View



- △D Note:
- \* RoHS Compliant
  - \* Ⓞ Important dimension
  - \* Waterproof rate: IPX7, mated
  - \* Connector
  - Housing: Thermoplastic, Black
  - Pin: Copper alloy, Gold plated
  - O-Ring1: Rubber, Black
  - O-Ring2: Rubber, Gray
  - Nut: Metal
  - \* Nut: Metal
  - \* O-Ring: Rubber, Gray
  - \* For panel thickness max: 3.0mm
  - \* For pcb thickness max: 1.6mm
  - \* O-Ring and nut are assembled on connectors

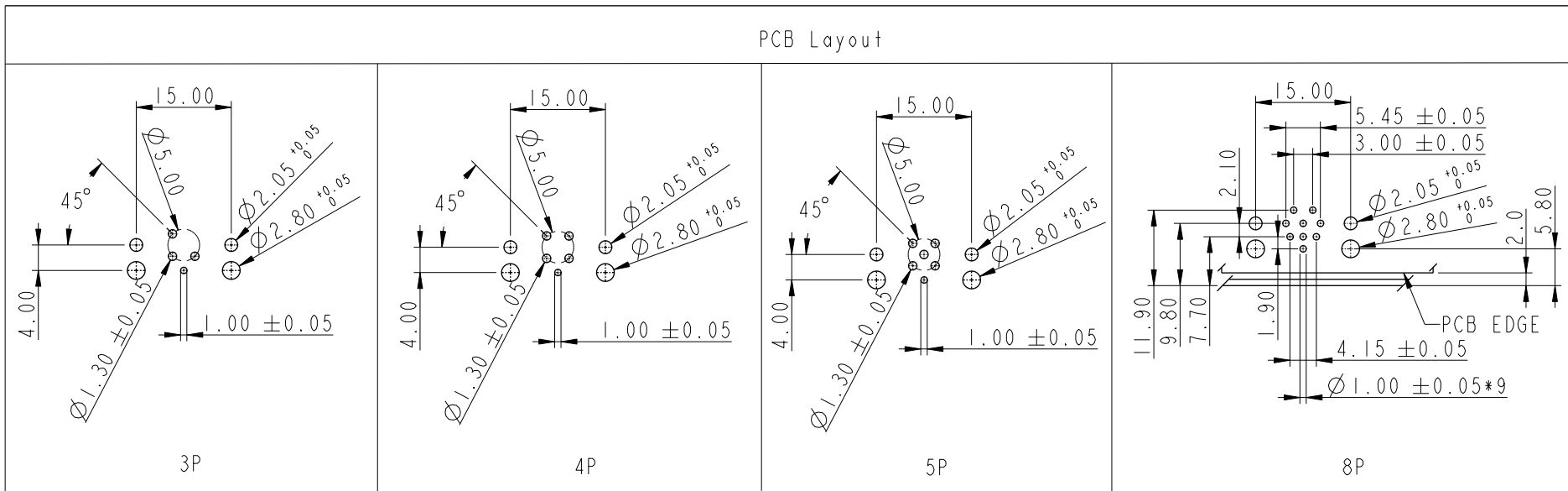
UNIT: mm		TITLE	
TOLERANCE	±0.25	N SEN, M12 A -SHLD, SCREW RECEPTACLE, F, F, PCB R △D	
.X	±0.1	SCALE	3:2
.XX	±0.05	SIZE	A4
.XXX	±1°	SHEET	1 OF 2
ANGLES		REV.	D
		WC-REV.	A.3
		Ⓞ: Inspection item	

**Amphenol LTW**  
安費諾亮泰企業股份有限公司

ITEM NO.	DRAWN BY	DATE
DWG NO.	Su Nan	2019-03-21
MSAS-XXPFFR-SF7003	CHECKED BY	DATE
	Feng	2019-03-21
CUSTOMER	APPROVED BY	DATE
ALTW	Jerry	2019-03-21

THIS DOCUMENT IS SUBJECT TO CHANGE WITHOUT NOTICE. IT IS CONFIDENTIAL AND A PROPERTY OF Amphenol LTW. DISCLOSURE TO THIRD PARTY HAS TO BE AUTHORIZED BY Amphenol LTW.

PCB Layout



UNIT: mm		TITLE N SEN, M12 A -SHLD, SCREW RECEPTACLE, F, F, PCB R	
TOLERANCE .X ±0.25 .XX ±0.1 .XXX ±0.05 ANGLES ±1°		SCALE 3:2	SIZE A4
		SHEET 2	OF 2
REV. D		WC-REV. A.3	QC: Inspection item

**Amphenol LTW**  
安費諾亮泰企業股份有限公司

ITEM NO	DRAWN BY Su Nan	DATE 2019-03-21
DWG NO MSAS-XXPFFR-SF7003	CHECKED BY Feng	DATE 2019-03-21
CUSTOMER ALTW	APPROVED BY Jerry	DATE 2019-03-21

## X-ON Electronics

Largest Supplier of Electrical and Electronic Components

*Click to view similar products for [Circular Metric Connectors](#) category:*

*Click to view products by [Amphenol](#) manufacturer:*

Other Similar products are found below :

[600X518037X](#) [6STD15PCR99B70A](#) [8R4000A16M020](#) [8R5000A16M005](#) [1200910002](#) [1203580030](#) [1200910008](#) [1200910011](#) [1300140094](#)  
[130203-0054](#) [1300140026](#) [1300150099](#) [1-3637-600-5205](#) [1612618](#) [21036836414](#) [8R4006A16M010](#) [1R3006A20M005](#) [41-40011](#) [42-00006](#)  
[42-01015](#) [4-22279-4](#) [4-22281-1](#) [4-22284-9](#) [43-00113](#) [43-01088](#) [43-01203](#) [41-40013](#) [42-00008](#) [43-00343](#) [43-01026](#) [43-01162](#) [43-01173](#) [43-](#)  
[10000](#) [XS3P-M421-2](#) [600X518050X](#) [8R5006A16M020](#) [8R4000A16M010](#) [6-22279-3](#) [1605332](#) [N03FA03144](#) [1300140077](#) [43-16213](#) [43-](#)  
[01338](#) [XS2RD4265](#) [XS2R-D426-1](#) [XS8A-0441](#) [859RD04-103R004](#) [860RD04-113R004](#) [860RD04-213R004](#) [1-213245-2](#)