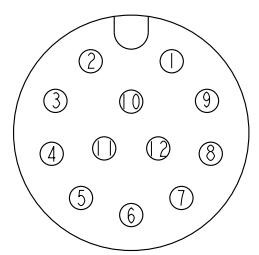
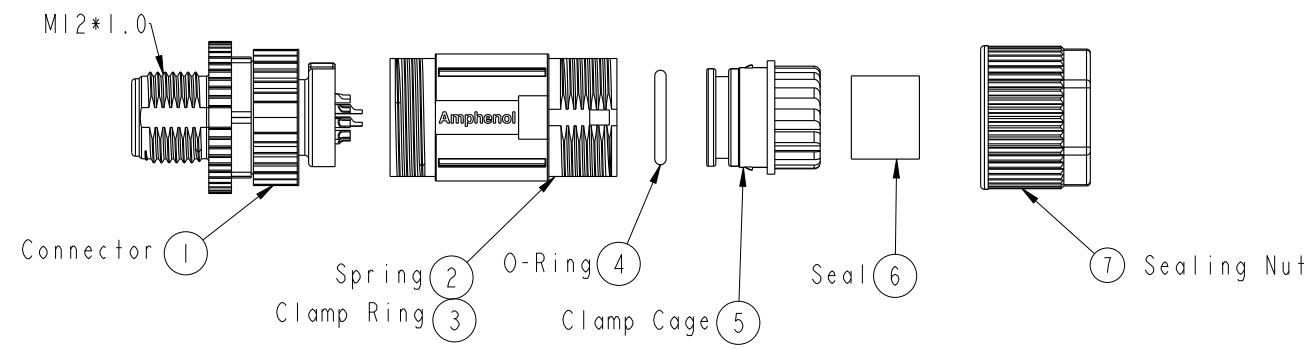


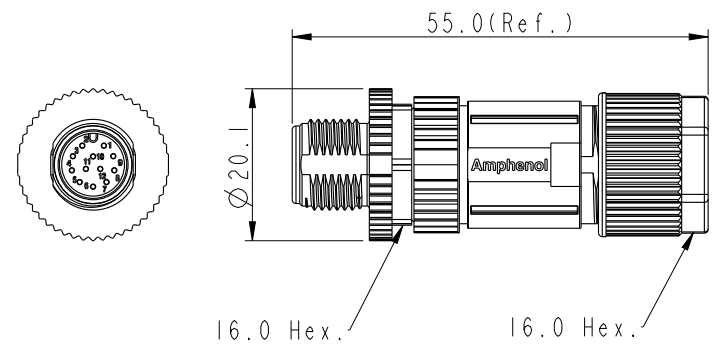
THIS DOCUMENT IS SUBJECT TO CHANGE WITHOUT NOTICE. IT IS CONFIDENTIAL AND A PROPERTY OF Amphenol LTW. DISCLOSURE TO THIRD PARTY HAS TO BE AUTHORIZED BY Amphenol LTW.

REV.	ECN NO.	DATE	SIGN	DESCRIPTION
A	Initial Release	2015/05/04	Lu Di	Change Rev.01 To Rev.A
B	LEN1670561	2016/07/22	Yulong_wang	Change the Note.

**ALTW**  
**CONFIDENTIAL**  
 2016-07-22  
**R&D DEPT.**



Pin Assignments  
Front View



- Note:
- \*  $\text{CC}$  Important Dimension To Check.
  - \* Waterproof Rate: IP67.
  - \* Housing: Nylon, Black.
  - \* Clamp Cage: Nylon, Black.
  - \* Male Pin: Copper Alloy, Gold Plated.
  - \* Nut: Zinc Alloy, Nickel Plated.
  - \* O-Ring: Silicone, Grey.
  - \* Clamp Ring: Zinc Alloy, Nickel Plated.
  - \* Sealing Nut: Zinc Alloy, Nickel Plated.
  - \* Seal: Silicone, Grey.
  - \* Seal For Cable OD:  $\phi 4.0\text{mm} \sim \phi 7.5\text{mm}$
  - \* Applicable Wire gauge (Stranded wire cross section) 26AWG ~24AWG
  - \* Mating Recommended tightening torque:  
3~4 kgf.cm / 0.29~0.39 N.m
  - \* Sealing-Nut Recommended tightening torque:  
4~6 kgf.cm / 0.39~0.59 N.m
  - \* Detailed applicable wire specifications may vary depending on the actual wire construction.

UNIT: mm		
TOLERANCE		
.X	$\pm 0.25$	
.XX	$\pm 0.1$	
.XXX	$\pm 0.05$	
ANGLES	$\pm 1^\circ$	

TITLE M12 Shielded Assy 12Pin M Conn. M Pin			
SCALE 1:1	SIZE A4	SHEET 1 OF 1	
REV. B	WC-REV. A.5	$\text{CC}$ : Inspection item	

**Amphenol LTW**  
 安費諾亮泰企業股份有限公司

ITEM NO. MSAS-12BMMA-SL7001	DRAWN BY Yulong_wang	DATE 2016-07-22
DWG NO. MSAS-12BMMA-SL7001	CHECKED BY Jinhai	DATE 2016-07-22
CUSTOMER ALTW	APPROVED BY Jerry	DATE 2016-07-22

## X-ON Electronics

Largest Supplier of Electrical and Electronic Components

*Click to view similar products for [Circular Metric Connectors](#) category:*

*Click to view products by [Amphenol](#) manufacturer:*

Other Similar products are found below :

[600X518037X](#) [6STD15PCR99B70A](#) [8R4000A16M020](#) [8R5000A16M005](#) [1200910002](#) [1203580030](#) [1200910008](#) [1200910011](#) [1300140094](#)  
[130203-0054](#) [1300140026](#) [1300150099](#) [1-3637-600-5205](#) [1612618](#) [21036836414](#) [8R4006A16M010](#) [1R3006A20M005](#) [41-40011](#) [42-00006](#)  
[42-01015](#) [4-22279-4](#) [4-22281-1](#) [4-22284-9](#) [43-00113](#) [43-01203](#) [41-40013](#) [42-00008](#) [43-00343](#) [43-01026](#) [43-01162](#) [43-01173](#) [43-10000](#)  
[XS3P-M421-2](#) [600X518050X](#) [8R5006A16M020](#) [8R5006A16M005](#) [8R4000A16M010](#) [6-22279-3](#) [1605332](#) [N03FA03144](#) [1300140077](#) [43-](#)  
[16213](#) [43-01338](#) [XS2RD4265](#) [XS2R-D426-1](#) [XS8A-0441](#) [859RD04-103R004](#) [860RD04-113R004](#) [860RD04-213R004](#) [1-213245-2](#)