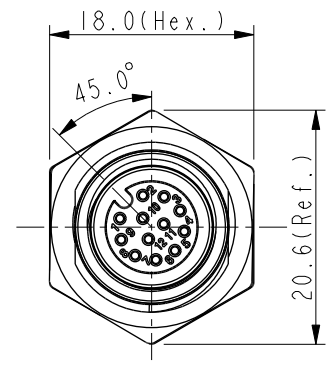
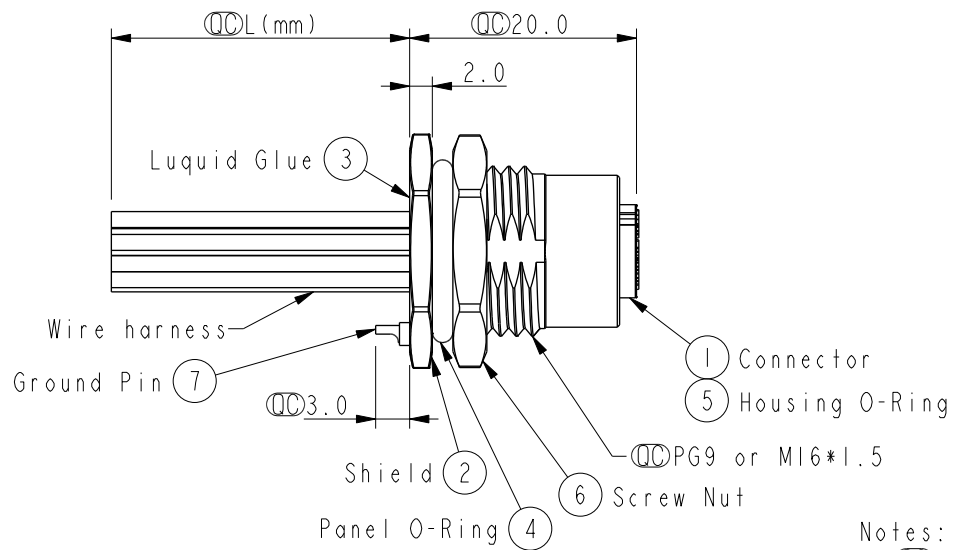
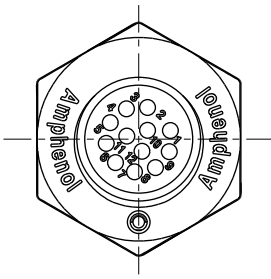


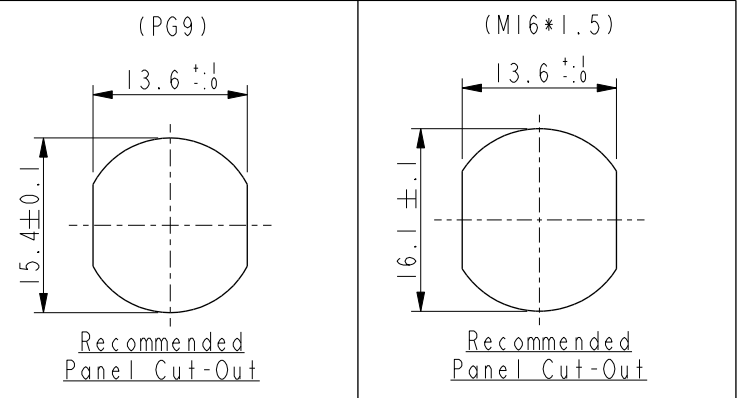
REV.	ECN NO.	DATE	SIGN	DESCRIPTION
A		2019-03-08	Allen Pan	

THIS DOCUMENT IS SUBJECT TO CHANGE WITHOUT NOTICE. IT IS CONFIDENTIAL AND A PROPERTY OF Amphenol LTW. DISCLOSURE TO THIRD PARTY HAS TO BE AUTHORIZED BY Amphenol LTW.



ALTW
CONFIDENTIAL
 2019-03-08
R&D DEPT.

- Notes:
- * \varnothing Important Dimension.
 - * Waterproof Rate: IP68, IP69K.
 - * Connector: Nylon+GF, Black.
 - * Female Pin: Copper Alloy, Gold Plated.
 - * Shield: Zinc Alloy, Nickel Plated.
 - * Screw Nut: Zinc Alloy, Nickel Plated.
 - * Panel O-Ring: Viton, Black.
 - * Housing O-Ring: Viton, Green.
 - * Wire harness: UL1061
 - * Rated Voltage: 3 & 4Pin 250V dc. or ac.
5Pin 60V dc. or ac.
6~12Pin 30V dc. or ac.
 - * Rated Current: 3~5Pin 4A
6~8Pin 2A
10~12Pin 1.5A
 - * Operating Temperature: -25~85°C
 - * For Panel Thickness Max 4.5mm.
 - * Nut Torque: 4-6 Kgf.cm.
 - * Wire harness Tolerance: 150~300 ±15mm
301~1000 ±20mm
Over1000 ±40mm

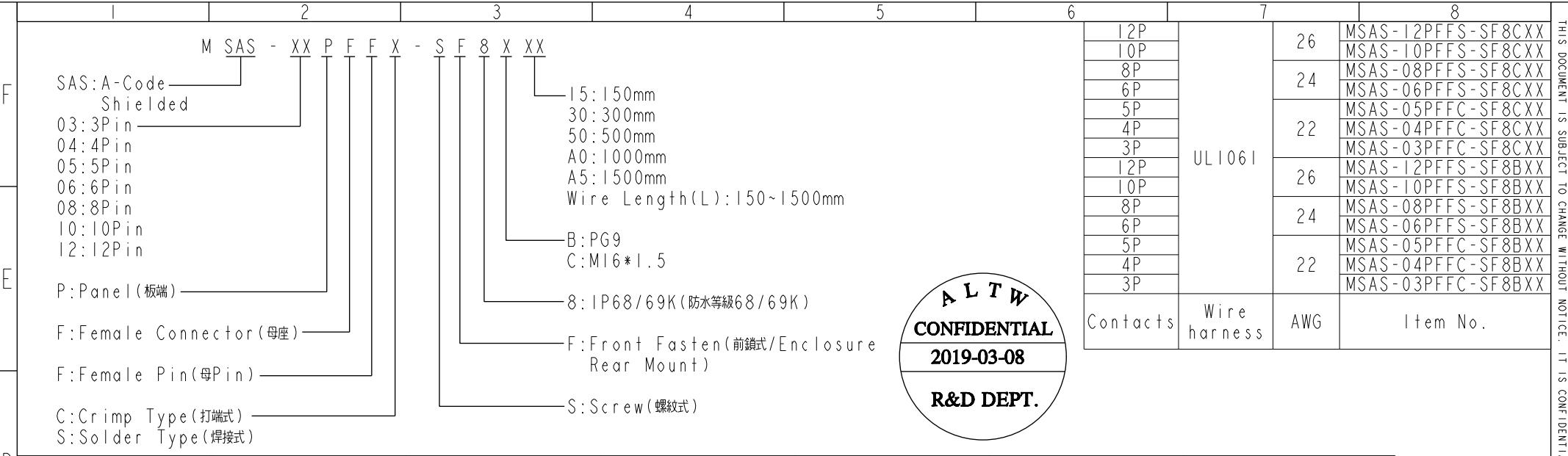


UNIT: mm		TITLE
TOLERANCE		M12 A-Code Female Conn. Panel Front With Wire harness Shielded
.X ±0.25		SCALE 3:2
.XX ±0.1		SIZE A4
.XXX ±0.05		SHEET 1 OF 2
ANGLES ±1°		REV. A
		WC-REV. A.3
		\varnothing : Inspection item

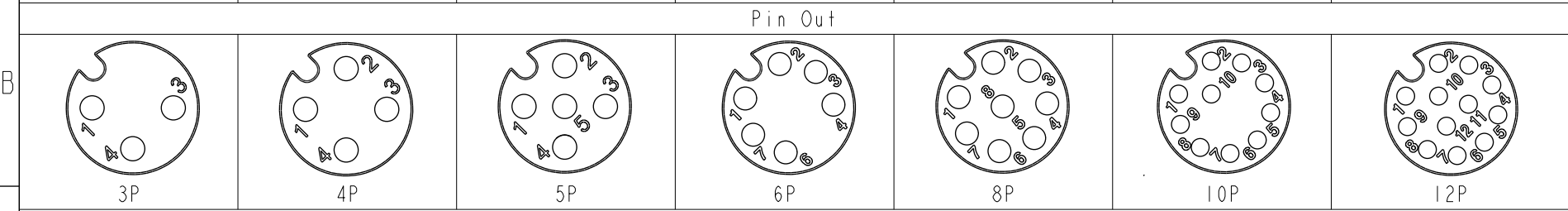
Amphenol LTW
安費諾亮泰企業股份有限公司

ITEM NO.	DRAWN BY	DATE
	Allen Pan	2019-03-08
DWG NO.	CHECKED BY	DATE
MSAS-XXPFFX-SF8XXX	Fred Lee	2019-03-08
CUSTOMER	APPROVED BY	DATE
ALTW	Fred Lee	2019-03-08

THIS DOCUMENT IS SUBJECT TO CHANGE WITHOUT NOTICE. IT IS CONFIDENTIAL AND A PROPERTY OF Amphenol LTW. DISCLOSURE TO THIRD PARTY HAS TO BE AUTHORIZED BY Amphenol LTW.



5	--	5	--	5	Gray	灰	8	--	8	Red	紅	12	--	12	Red/Blue	紅/藍
4	Black	4	Black	4	Black	黑	7	Blue	7	Blue	藍	11	--	11	Gray/Pink	灰/粉
3	Blue	3	Blue	3	Blue	藍	6	Pink	6	Pink	粉	10	Violet	10	Violet	紫
2	--	2	White	2	White	白	5	--	5	Gray	灰	9	Black	9	Black	黑
1	Brown	1	Brown	1	Brown	棕	4	Yellow	4	Yellow	黃	8	Red	8	Red	紅
							3	Green	3	Green	綠	7	Blue	7	Blue	藍
							2	Brown	2	Brown	棕	6	Pink	6	Pink	粉
							1	White	1	White	白	5	Gray	5	Gray	灰
												4	Yellow	4	Yellow	黃
												3	Green	3	Green	綠
												2	Brown	2	Brown	棕
												1	White	1	White	白



Pin Assignments Front View

UNIT: mm		TITLE M12 A-Code Female Conn. Panel Front With Wire harness Shielded	Amphenol LTW 安費諾亮泰企業股份有限公司	ITEM NO MSAS-XXPFFX-SF8XXX	DRAWN BY Allen Pan	DATE 2019-03-08
TOLERANCE .X ±0.25 .XX ±0.1 .XXX ±0.05 ANGLES ±1°	SCALE 3:2	SIZE A4	SHEET 2 OF 2	DWG NO	CHECKED BY Fred Lee	DATE 2019-03-08
REV. A	WC-REV. A.3	☉: Inspection item		CUSTOMER ALTW	APPROVED BY Fred Lee	DATE 2019-03-08

X-ON Electronics

Largest Supplier of Electrical and Electronic Components

Click to view similar products for [Circular Metric Connectors](#) category:

Click to view products by [Amphenol](#) manufacturer:

Other Similar products are found below :

[600X518037X](#) [MA1EAF1200](#) [6STD09SAM99B70X](#) [8R4A00A18M020](#) [1300140094](#) [130203-0054](#) [1300150099](#) [1-3637-600-5205](#) [1545399](#)
[1A4000-348](#) [8R4006A16M010](#) [8R5006A18A120](#) [1R3006A20M005](#) [RF-12P1N8A80DU](#) [RF-12P1N8A90DU](#) [41-01016](#) [41-40010](#) [41-40011](#)
[41-40017](#) [42-01015](#) [4-22279-4](#) [4-22281-1](#) [4-22284-9](#) [43-10041](#) [41-40005](#) [41-40016](#) [43-00132](#) [XS3P-M421-2](#) [600X518050X](#) [SACC-DSI-](#)
[FS-5P-PG9-L180 SC](#) [8R4000A16M010](#) [1R3004A20A1201](#) [N03FA03144](#) [1300140077](#) [41-01117](#) [XS2RD4265](#) [RSC 4/9](#) [XS2R-D426-1](#)
[XS8A-0441](#) [859RD04-103R004](#) [860RD04-113R004](#) [860-X08-213R004](#) [1-213245-2](#) [2273142-2](#) [LC20-02PMFS-SW8001](#) [1604360](#)
[21031121405](#) [MSAS-12PMMP-SF8001](#) [8P-04BFFB-SL7001](#) [21038122406](#)