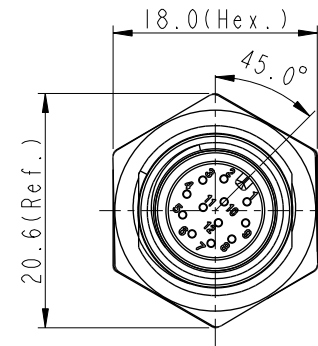
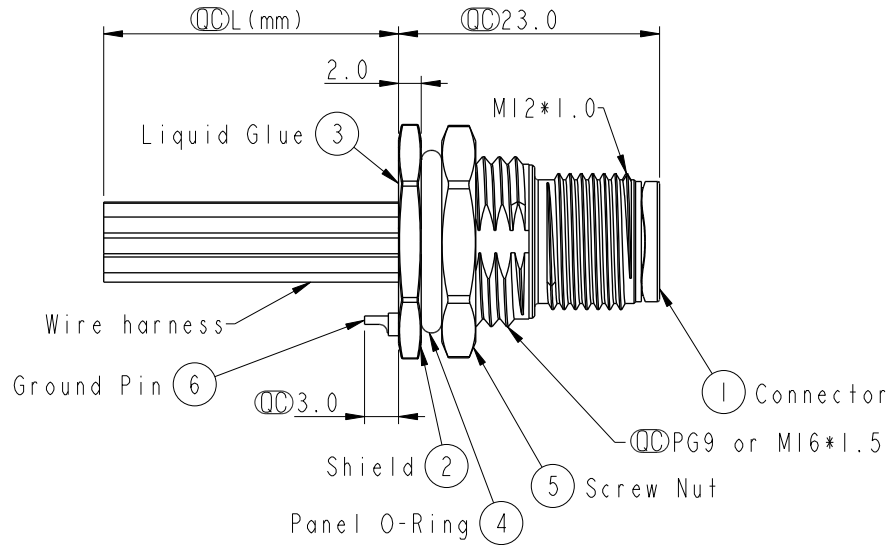
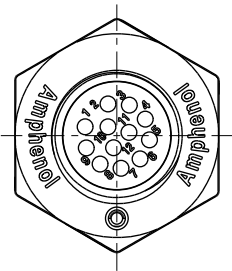
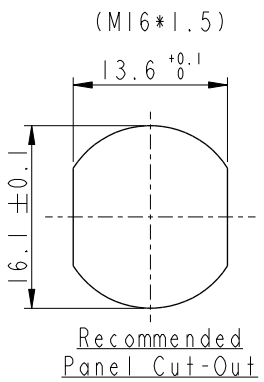
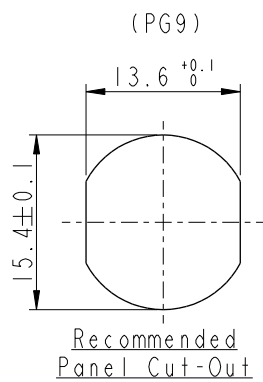


REV.	ECN NO.	DATE	SIGN	DESCRIPTION
A		2019-03-08	Allen Pan	



- Notes:
- \*  $\varnothing$  Important Dimension.
  - \* Waterproof Rate: IP68, IP69K.
  - \* Connector: Nylon+GF, Black.
  - \* Male Pin: Copper Alloy, Gold Plated.
  - \* Shield: Zinc Alloy, Nickel Plated.
  - \* Screw Nut: Zinc Alloy, Nickel Plated.
  - \* Panel O-Ring: Viton, Black.
  - \* Wire harness: UL1061
  - \* Rated Voltage: 3 & 4Pin 250V dc. or ac.  
5Pin 60V dc. or ac.  
6~12Pin 30V dc. or ac.
  - \* Rated Current: 3~5Pin 4A  
6~8Pin 2A  
10~12Pin 1.5A
  - \* Operating Temperature: -25~85°C
  - \* For Panel Thickness Max 4.5mm.
  - \* Nut Torque: 4-6 Kgf.cm.
  - \* Wire harness Tolerance: 150~300 ±15mm  
301~1000 ±20mm  
Over1000 ±40mm



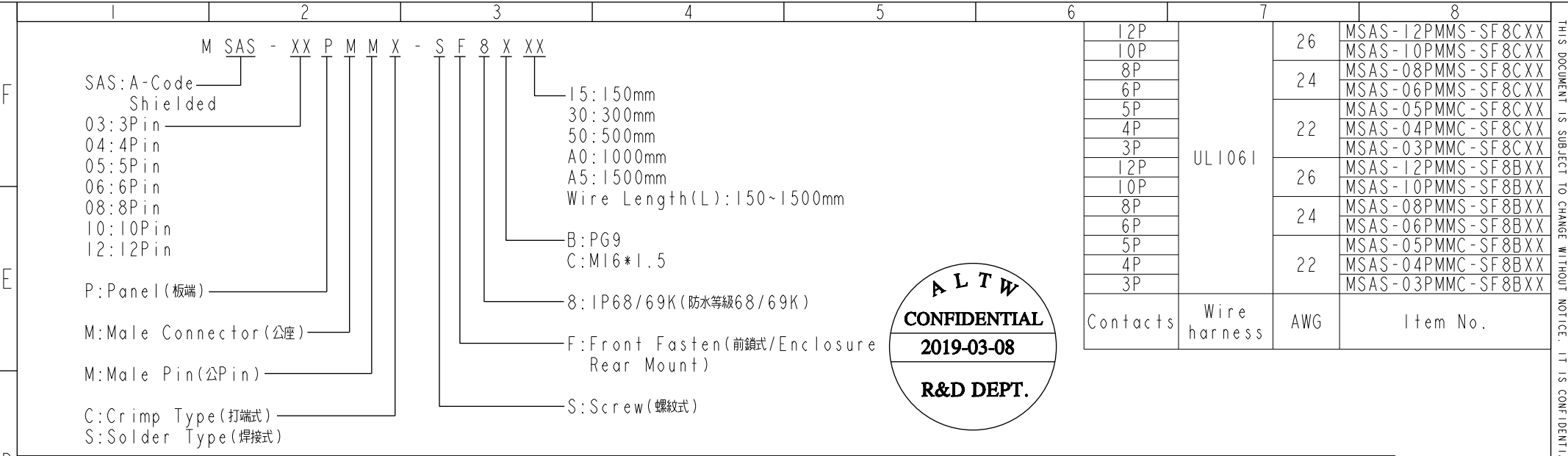
UNIT: mm			TITLE M12 A-Code Male Conn. Panel Front With Wire harness Shielded
TOLERANCE .X ±0.25 .XX ±0.1 .XXX ±0.05 ANGLES ±1°	SCALE 3:2	SIZE A4	SHEET 1 OF 2
REV. A	WC-REV. A.1	$\varnothing$ : Inspection item	

**Amphenol LTW**  
安費諾亮泰企業股份有限公司

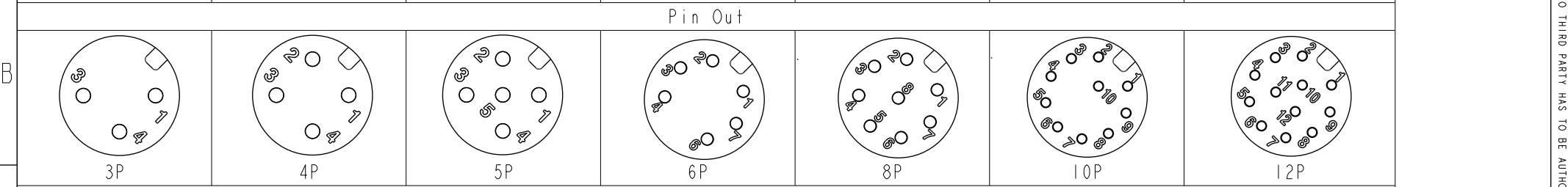
ITEM NO.	DRAWN BY Allen Pan	DATE 2019-03-08
DWG NO. MSAS-XXPMX-SF8XXX	CHECKED BY Fred Lee	DATE 2019-03-08
CUSTOMER ALTW	APPROVED BY Fred Lee	DATE 2019-03-08

THIS DOCUMENT IS SUBJECT TO CHANGE WITHOUT NOTICE. IT IS CONFIDENTIAL AND A PROPERTY OF Amphenol LTW. DISCLOSURE TO THIRD PARTY HAS TO BE AUTHORIZED BY Amphenol LTW.

THIS DOCUMENT IS SUBJECT TO CHANGE WITHOUT NOTICE. IT IS CONFIDENTIAL AND A PROPERTY OF Amphenol LTW. DISCLOSURE TO THIRD PARTY HAS TO BE AUTHORIZED BY Amphenol LTW.



5	--	5	--	5	Gray	灰	8	--	8	Red	紅	12	--	12	Red/Blue	紅/藍
4	Black	4	Black	4	Black	黑	7	Blue	7	Blue	藍	11	--	11	Gray/Pink	灰/粉
3	Blue	3	Blue	3	Blue	藍	6	Pink	6	Pink	粉	10	Violet	10	Violet	紫
2	--	2	White	2	White	白	5	--	5	Gray	灰	9	Black	9	Black	黑
1	Brown	1	Brown	1	Brown	棕	4	Yellow	4	Yellow	黃	8	Red	8	Red	紅
							3	Green	3	Green	綠	7	Blue	7	Blue	藍
							2	Brown	2	Brown	棕	6	Pink	6	Pink	粉
							1	White	1	White	白	5	Gray	5	Gray	灰
												4	Yellow	4	Yellow	黃
												3	Green	3	Green	綠
												2	Brown	2	Brown	棕
												1	White	1	White	白



Pin Assignments Front View

UNIT: mm		TITLE		ITEM NO		DRAWN BY		DATE	
		M12 A-Code Male Conn.		MSAS-XXPMXX-SF8XXX		Allen Pan		2019-03-08	
		Panel Front With Wire harness Shielded		ALTW		Fred Lee		2019-03-08	
TOLERANCE		SCALE	SIZE	SHEET	CUSTOMER	APPROVED BY		DATE	
.X ±0.25		3:2	A4	2 OF 2	ALTW	Fred Lee		2019-03-08	
.XX ±0.1		REV.	WC-REV.	QC: Inspection item					
.XXX ±0.05		A	A.1						
ANGLES ±1°									

**Amphenol LTW**  
安費諾亮泰企業股份有限公司

## X-ON Electronics

Largest Supplier of Electrical and Electronic Components

*Click to view similar products for [Circular Metric Connectors](#) category:*

*Click to view products by [Amphenol](#) manufacturer:*

Other Similar products are found below :

[600X518037X](#) [MA1EAF1200](#) [6STD09SAM99B70X](#) [8R4A00A18M020](#) [1300140094](#) [130203-0054](#) [1300150099](#) [1-3637-600-5205](#) [1545399](#)  
[1A4000-348](#) [8R4006A16M010](#) [8R5006A18A120](#) [1R3006A20M005](#) [RF-12P1N8A80DU](#) [RF-12P1N8A90DU](#) [41-01016](#) [41-40010](#) [41-40011](#)  
[41-40017](#) [42-01015](#) [4-22279-4](#) [4-22281-1](#) [4-22284-9](#) [43-10041](#) [41-40005](#) [41-40016](#) [43-00132](#) [XS3P-M421-2](#) [600X518050X](#) [SACC-DSI-](#)  
[FS-5P-PG9-L180 SC](#) [8R4000A16M010](#) [1R3004A20A1201](#) [N03FA03144](#) [1300140077](#) [41-01117](#) [XS2RD4265](#) [RSC 4/9](#) [XS2R-D426-1](#)  
[XS8A-0441](#) [859RD04-103R004](#) [860RD04-113R004](#) [860-X08-213R004](#) [1-213245-2](#) [2273142-2](#) [LC20-02PMFS-SW8001](#) [1604360](#)  
[21031121405](#) [MSAS-12PMMP-SF8001](#) [8P-04BFFB-SL7001](#) [21038122406](#)