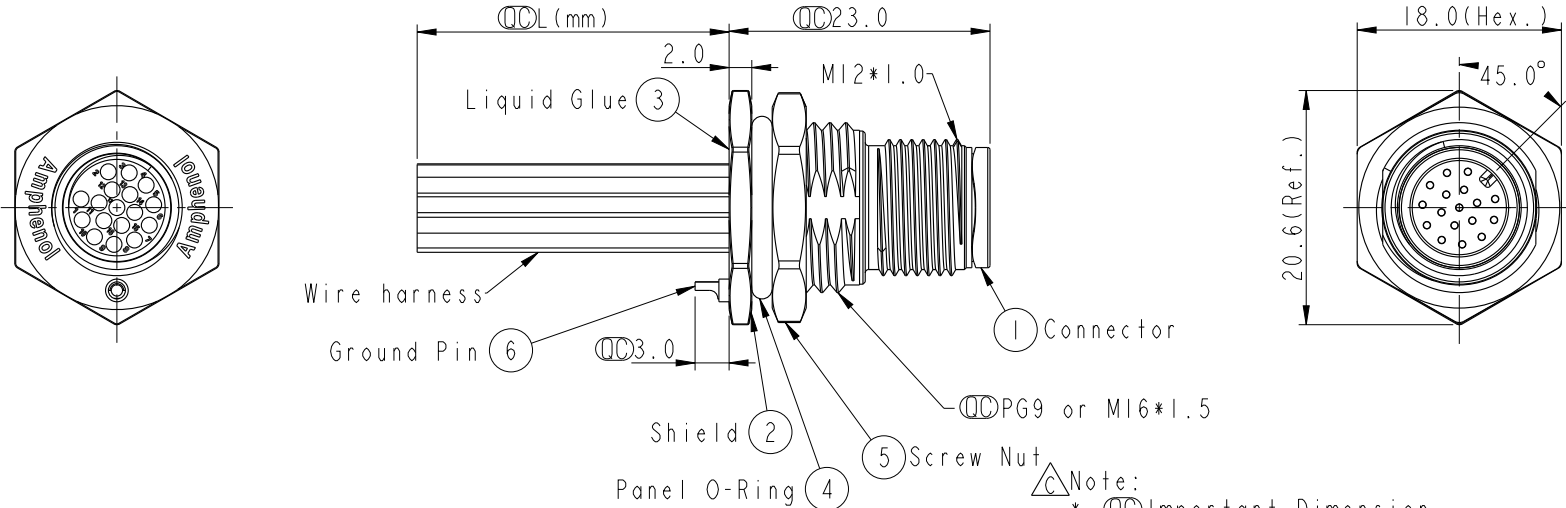
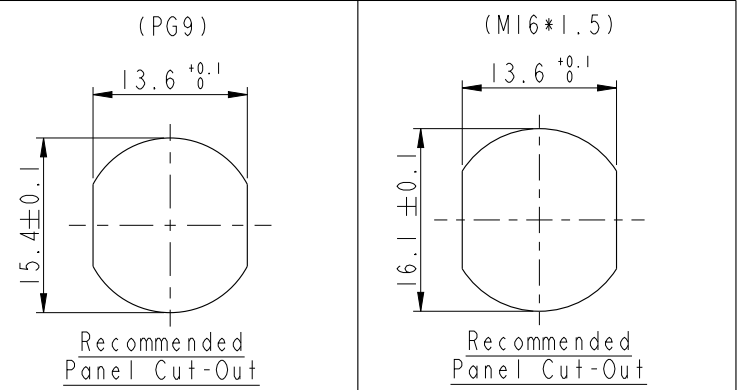


THIS DOCUMENT IS SUBJECT TO CHANGE WITHOUT NOTICE. IT IS CONFIDENTIAL AND A PROPERTY OF Amphenol LTW. DISCLOSURE TO THIRD PARTY HAS TO BE AUTHORIZED BY Amphenol LTW.

REV.	ECN NO.	DATE	SIGN	DESCRIPTION
A		2019/03/08	Allen Pan	
B	CI91681	2019/09/24	Vicky	Update Wire Tolerance
C	BOMR19110191	2019-11-27	Peng	$\triangle C$ X4

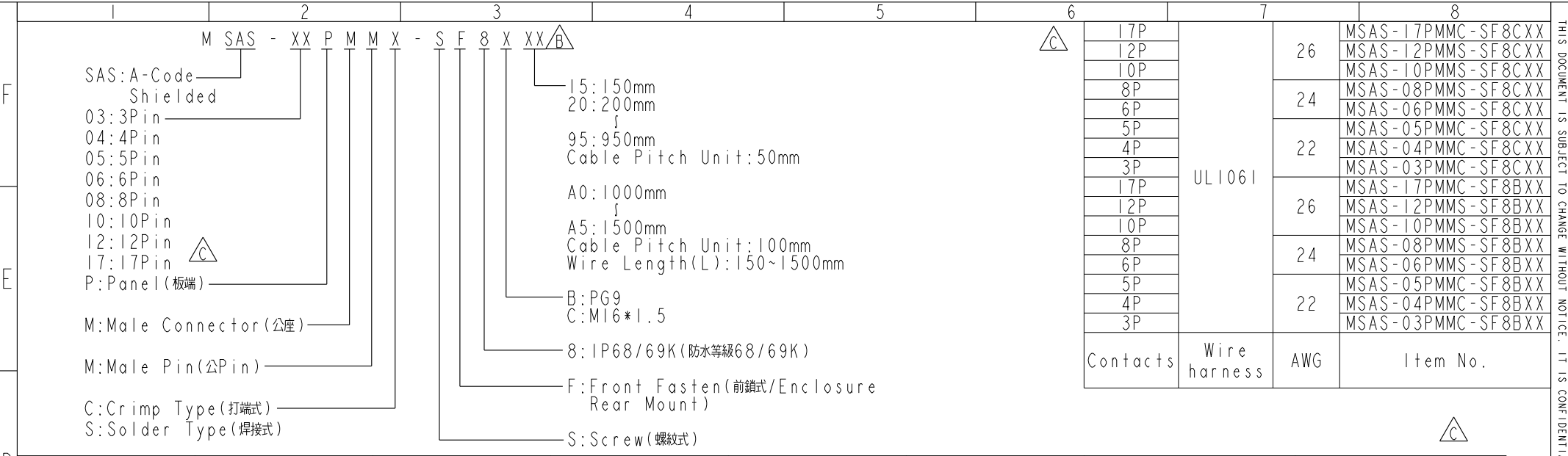


- $\triangle C$ Note:
- * CC Important Dimension.
 - * Waterproof Rate: IP68, IP69K.
 - * Connector: Nylon+GF, Black.
 - * Male Pin: Copper Alloy, Gold Plated.
 - * Shield: Zinc Alloy, Nickel Plated.
 - * Screw Nut: Zinc Alloy, Nickel Plated.
 - * Panel O-Ring: Viton, Black.
 - * Wire harness: ULI061
 - * Rated Voltage: 3 & 4Pin 250V dc. or ac.
5Pin 60V dc. or ac.
6~12Pin, 17Pin 30V dc. or ac.
 - * Rated Current: 3~5Pin 4A
6~8Pin 2A
10~12Pin, 17Pin 1.5A
 - * Operating Temperature: -25~85°C
 - * For Panel Thickness Max 4.5mm.
 - * Nut Torque: 4-6 Kgf.cm.
 - * Wire harness Tolerance: 150~300 ± 15 mm
301~1000 ± 20 mm
 $\triangle B$ Over 1000 +50/-0mm

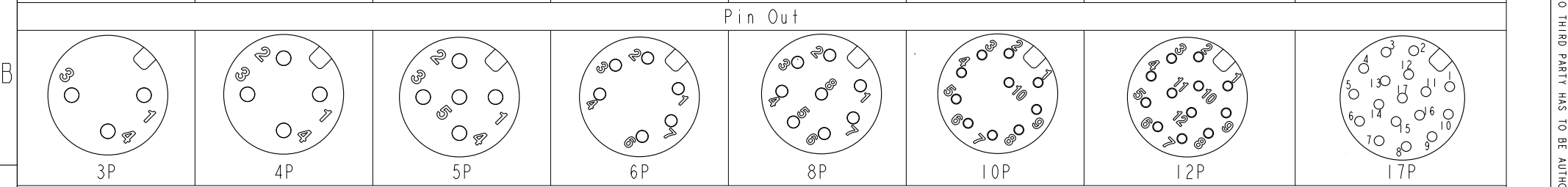


UNIT: mm		TITLE		ITEM NO	DRAWN BY	DATE
		M12 A-Code Male Conn. Panel Front With Wire harness Shielded			Vicky	2019-09-24
TOLERANCE		SCALE	SIZE	SHEET	CHECKED BY	DATE
.X ± 0.25		3:2	A4	1 OF 2	Rita	2019-09-24
.XX ± 0.1		REV.	WC-REV.	CC : Inspection item	APPROVED BY	DATE
.XXX ± 0.05		C	A.1		Max	2019-09-24
ANGLES $\pm 1^\circ$		<h2 style="margin: 0;">Amphenol LTW</h2> <p style="margin: 0;">安費諾亮泰企業股份有限公司</p>		CUSTOMER		
				ALTW		

THIS DOCUMENT IS SUBJECT TO CHANGE WITHOUT NOTICE. IT IS CONFIDENTIAL AND A PROPERTY OF AMPHENOL LTW. DISCLOSURE TO THIRD PARTY HAS TO BE AUTHORIZED BY AMPHENOL LTW.



5	--	5	--	5	Gray	灰	5	--	5	Red	紅	12	--	12	Red/Blue	紅/藍	17	White/Gray	白/灰
4	Black	4	Black	4	Black	黑	4	Blue	4	Blue	藍	11	--	11	Gray/Pink	灰/粉	16	Yellow/Brown	黃/棕
3	Blue	3	Blue	3	Blue	藍	3	Pink	3	Pink	粉	10	Violet	10	Violet	紫	15	White/Yellow	白/黃
2	--	2	White	2	White	白	2	Gray	2	Gray	灰	9	Black	9	Black	黑	14	Brown/Green	棕/綠
1	Brown	1	Brown	1	Brown	棕	1	Yellow	1	Yellow	黃	8	Red	8	Red	紅	13	White/Green	白/綠
												8	Red	8	Red	紅	12	Red/Blue	紅/藍
												7	Blue	7	Blue	藍	11	Gray/Pink	灰/粉
												6	Pink	6	Pink	粉	10	Violet	紫
												5	Gray	5	Gray	灰	9	Red	紅
												4	Yellow	4	Yellow	黃	8	Gray	灰
												3	Green	3	Green	綠	7	Black	黑
												2	Brown	2	Brown	棕	6	Yellow	黃
												1	White	1	White	白	5	Pink	粉
																	4	Green	綠
																	3	White	白
																	2	Blue	藍
																	1	Brown	棕



Pin Assignments Front View

UNIT: mm TOLERANCE .X ±0.25 .XX ±0.1 .XXX ±0.05 ANGLES ±1°	TITLE M12 A-Code Male Conn. Panel Front With Wire harness Shielded		<h1 style="text-align: center;">Amphenol LTW</h1> <h2 style="text-align: center;">安費諾亮泰企業股份有限公司</h2>		ITEM NO MSAS-XXPMX-SF8XXX	DRAWN BY Vicky	DATE 2019-09-24
	SCALE 3:2	SIZE A4			SHEET 2 OF 2	DWG NO MSAS-XXPMX-SF8XXX	CHECKED BY Rita
	REV. C	WC-REV. A.1	Inspection item	CUSTOMER ALTW	APPROVED BY Max	DATE 2019-09-24	
				W10814-03-001A2			

X-ON Electronics

Largest Supplier of Electrical and Electronic Components

Click to view similar products for [Sensor Cables / Actuator Cables](#) category:

Click to view products by [Amphenol](#) manufacturer:

Other Similar products are found below :

[60963](#) [60964](#) [M83513/19-F01CP](#) [703000D02F2002](#) [703001D02F0602](#) [703001D02F300](#) [704000D02F120](#) [773032K02F030](#) [802027107404-1](#)
[802027213811-1](#) [804001A09M150](#) [805001A09M0502](#) [84914-0235](#) [84914-0237](#) [885030A09M020](#) [8R4J30E03C3003](#) [1200651332](#)
[1200651713](#) [1200660844](#) [1200660845](#) [1200661173](#) [1200680071](#) [1200720053](#) [1200720081](#) [1200720099](#) [1200720217](#) [1200800231](#)
[1200860125](#) [1200870123](#) [1200980102](#) [1200650267](#) [1200650298](#) [1200660183](#) [1200660782](#) [1200660849](#) [1200661295](#) [1200661297](#)
[1200661342](#) [1200661343](#) [1200670080](#) [1200670220](#) [1200680331](#) [1200720252](#) [1200730184](#) [1200860344](#) [1200870359](#) [1200870643](#)
[1200980008](#) [1200980031](#) [1210502211](#)