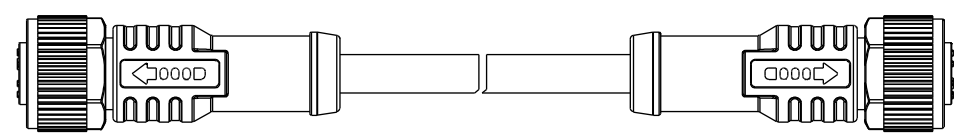
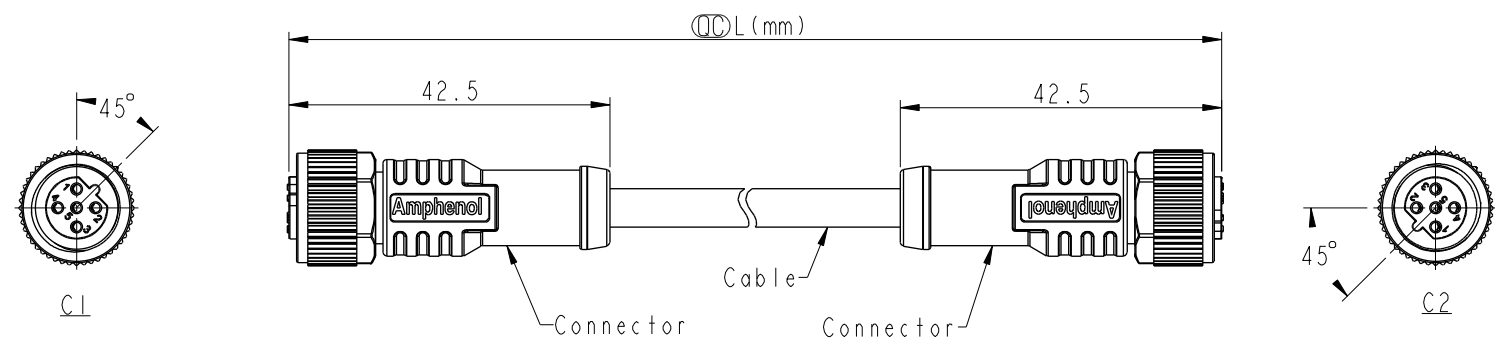


THIS DOCUMENT IS SUBJECT TO CHANGE WITHOUT NOTICE. IT IS CONFIDENTIAL AND A PROPERTY OF Amphenol LTW. DISCLOSURE TO THIRD PARTY HAS TO BE AUTHORIZED BY Amphenol LTW.

REV.	DESCRIPTION



- Notes:
- * \varnothing Important Dimension.
 - * Waterproof Rate: IP68, IP69K
 - * Connector: PU+GF, Black.
 - * Pin: Copper Alloy, Gold Plated.
 - * Screw Nut: Nylon, Black
 - * Outer Mold: PU, Black.
 - * Cable: (B) UL20549, PUR Jacket, Black.
(D) UL2517, PVC Jacket, Black.
 - * Rated Voltage: 5Pin 60V dc. or ac.
 - * Rated Current: 5Pin 4A
 - * Cable Length Tolerance: 0.5±20mm
01±40mm
02M~05M:±60mm
06M~10M:±100mm
11M~30M:±200mm
31M~99M:±500mm

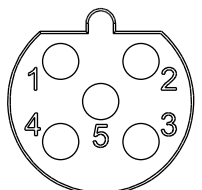
UNIT:mm TOLERANCE ± 0.5 mm	TITLE MI2 B-Code Double Ended		<h1 style="text-align: center;">Amphenol LTW</h1> <p style="text-align: center;">安費諾亮泰企業股份有限公司</p>		ITEM NO	DRAWN BY Ruru	DATE 2018-12-07
	SCALE 1:2	SIZE A4			SHEET 1 OF 2	DWG NO MSBPXXFL-SBPFL-SXXXX	CHECKED BY Rita
	REV. A	WC-REV.	\varnothing : Inspection item	CUSTOMER ALTW	APPROVED BY Max	DATE 2018-12-07	8 W10814-03-#M01A2


THIS DOCUMENT IS SUBJECT TO CHANGE WITHOUT NOTICE. IT IS CONFIDENTIAL AND A PROPERTY OF Amphenol LTW. DISCLOSURE TO THIRD PARTY HAS TO BE AUTHORIZED BY Amphenol LTW.

5P	PVC	5.1	22	MSBP05FL-SBPFL-SDXXX
5P	PUR	4.4		MSBP05FL-SBPFL-SBXXX
Contacts	Cable Jacket	Cable OD	AWG	Item No.

M SBP XX F L - SBP F L - S X XXX

- SBP: B-Code Plastic Nut
- 05: 5Pin
- F: Female Connector(母座)
- L: Straight(180°線端)
- XXX: 0.5~99Meters
- A05: 0.5 Meter
- 1: 01Meter
- 2: 02Meters
- :
- 99: 99Meters
- B: PUR UL20549 Cable,Black(PUR黑色外被線材)
- D: PVC UL2517 Cable,Black(PVC黑色外被線材)
- S: Screw(螺紋式)
- L: Straight(180°線端)
- F: Female Connector(母座)
- SBP: B-Code Plastic Nut

Pin Out	5 4 3 2 1	Gray Black Blue White Brown	灰 黑 藍 白 棕
		Pin #	Wire
C1 & C2			
5P			
Pin Assignments Front View			

UNIT:mm		TITLE
TOLERANCE	± 0.5 mm	M12 B-Code Double Ended
SCALE	1:2	SIZE A4
REV.	A	SHEET 2 OF 2
		QC: Inspection item

Amphenol LTW
安費諾亮泰企業股份有限公司

ITEM NO	DRAWN BY	DATE
DWG NO	CHECKED BY	DATE
CUSTOMER	APPROVED BY	DATE
ALTW	Ruru Rita Max	2018-12-07 2018-12-07 2018-12-07

X-ON Electronics

Largest Supplier of Electrical and Electronic Components

Click to view similar products for [Sensor Cables / Actuator Cables](#) category:

Click to view products by [Amphenol](#) manufacturer:

Other Similar products are found below :

[60963](#) [60964](#) [M83513/19-F01CP](#) [703000D02F2002](#) [703001D02F0602](#) [703001D02F300](#) [704000D02F120](#) [773032K02F030](#) [802027107404-1](#)
[802027213811-1](#) [804001A09M150](#) [805001A09M0502](#) [84914-0235](#) [84914-0237](#) [885030A09M020](#) [8R4J30E03C3003](#) [1200651332](#)
[1200651713](#) [1200660844](#) [1200660845](#) [1200661173](#) [1200680071](#) [1200720053](#) [1200720081](#) [1200720099](#) [1200720217](#) [1200800231](#)
[1200860125](#) [1200870123](#) [1200980102](#) [1200650267](#) [1200650298](#) [1200660183](#) [1200660782](#) [1200660849](#) [1200661295](#) [1200661297](#)
[1200661342](#) [1200661343](#) [1200670080](#) [1200670220](#) [1200680331](#) [1200720252](#) [1200730184](#) [1200860344](#) [1200870359](#) [1200870643](#)
[1200980008](#) [1200980031](#) [1210502211](#)