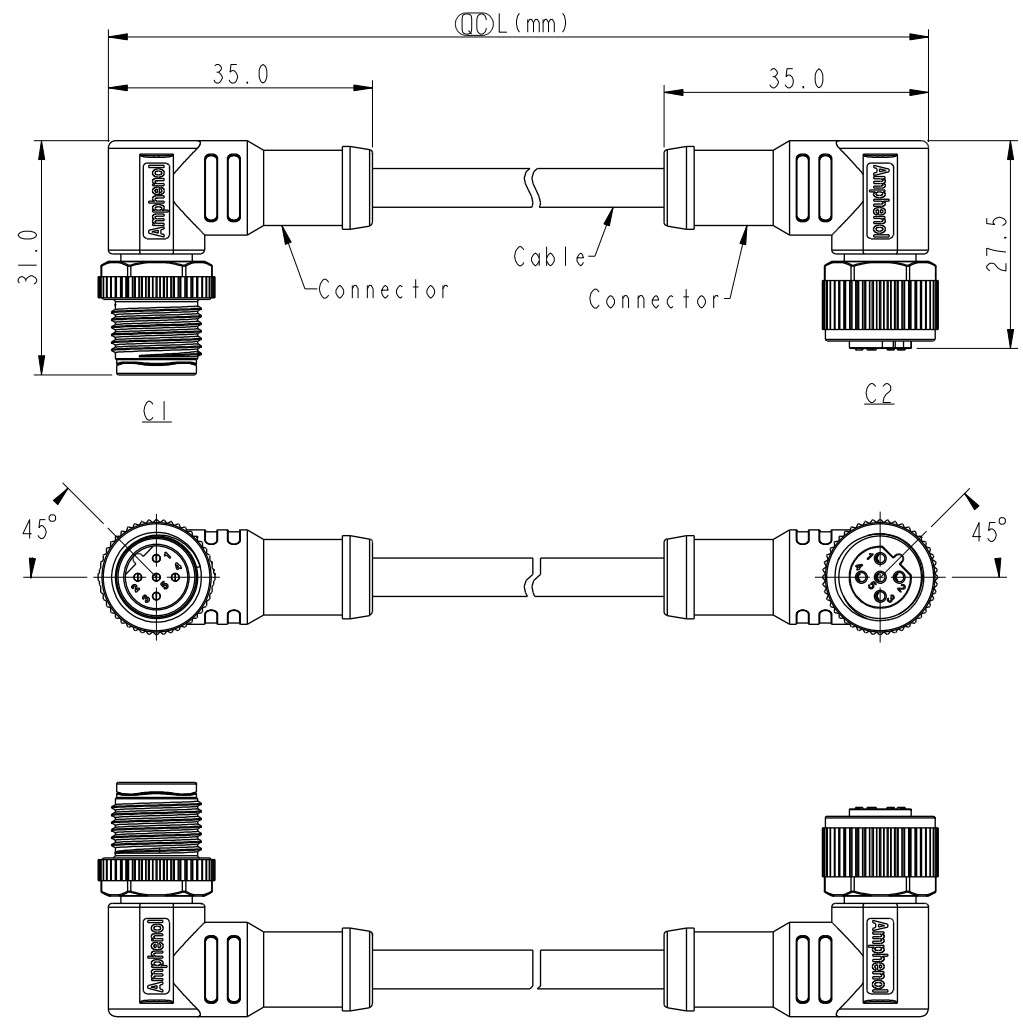


THIS DOCUMENT IS SUBJECT TO CHANGE WITHOUT NOTICE. IT IS CONFIDENTIAL AND A PROPERTY OF AMPHENOL LTW. DISCLOSURE TO THIRD PARTY HAS TO BE AUTHORIZED BY AMPHENOL LTW.

| REV. | DESCRIPTION |
|------|-------------|
|      |             |
|      |             |
|      |             |



- Notes:
- \*  $\varnothing$  Important Dimension.
  - \* Waterproof Rate: IP68, IP69K
  - \* Connector: PU+GF, Black.
  - \* Pin: Copper Alloy, Gold Plated.
  - \* Screw Nut: Nylon, Black
  - \* Outer Mold: PU, Black.
  - \* Cable: (B) UL20549, PUR Jacket, Black.  
(D) UL2517, PVC Jacket, Black.
  - \* Rated Voltage: 5Pin 60V dc. or ac.
  - \* Rated Current: 5Pin 4A
  - \* Cable Length Tolerance: 0.5±20mm  
01±40mm  
02M~05M:±60mm  
06M~10M:±100mm  
11M~30M:±200mm  
31M~99M:±500mm

|                                  |                                  |                |                                 |                  |                    |                                |                    |
|----------------------------------|----------------------------------|----------------|---------------------------------|------------------|--------------------|--------------------------------|--------------------|
| UNIT:mm<br>TOLERANCE<br>± 0.5 mm | TITLE<br>MI2 B-Code Double Ended |                | Amphenol LTW<br>安費諾亮泰企業股份有限公司   |                  | ITEM NO            | DRAWN BY<br>Ruru               | DATE<br>2018-12-11 |
|                                  | SCALE<br>1:1                     | SIZE<br>A4     |                                 |                  | SHEET<br>1 OF 2    | DWG NO<br>MSBPXXMR-SBPFR-SXXXX | CHECKED BY<br>Rita |
|                                  | REV.<br>A                        | WC-REV.<br>A.5 | $\varnothing$ : Inspection item | CUSTOMER<br>ALTW | APPROVED BY<br>Max | DATE<br>2018-12-11             | WI0814-03-#01A2    |

THIS DOCUMENT IS SUBJECT TO CHANGE WITHOUT NOTICE. IT IS CONFIDENTIAL AND A PROPERTY OF Amphenol LTW. DISCLOSURE TO THIRD PARTY HAS TO BE AUTHORIZED BY Amphenol LTW.

|          |              |          |     |                      |
|----------|--------------|----------|-----|----------------------|
| 5P       | PVC          | 5.1      | 22  | MSBP05MR-SBPFR-SDXXX |
| 5P       | PUR          | 4.4      |     | MSBP05MR-SBPFR-SBXXX |
| Contacts | Cable Jacket | Cable OD | AWG | Item No.             |

M SBP XX M R - SBP F R - S X XXX

SBP: B-Code Plastic Nut  
 05: 5Pin  
 M: Male Connector(公座)  
 R: Right(90°線端)

XXX: 0.5~99Meters  
 A05: 0.5 Meter  
 1: 01Meter  
 2: 02Meters  
 :  
 99: 99Meters

B: PUR UL20549 Cable,Black(PUR黑色外被線材)  
 D: PVC UL2517 Cable,Black(PVC黑色外被線材)

S: Screw(螺紋式)  
 R: Right(90°線端)  
 F: Female Connector(母座)  
 SBP: B-Code Plastic Nut

|         |                       |   |                       |
|---------|-----------------------|---|-----------------------|
| Pin Out | 5<br>4<br>3<br>2<br>1 | Gray<br>Black<br>Blue<br>White<br>Brown | 灰<br>黑<br>藍<br>白<br>棕 |
|         |                       | Pin #                                   | Wire                  |
| C2      | <p>5P</p>             |   |                       |
| C1      | <p>5P</p>             |   |                       |

Pin Assignments Front View

|           |          |                     |                         |             |
|-----------|----------|---------------------|-------------------------|-------------|
| UNIT:mm   |          | TITLE               | MI2 B-Code Double Ended |             |
| TOLERANCE | ± 0.5 mm | SCALE               | 1:1                     | SIZE A4     |
|           |          | REV.                | A                       | WC-REV. A.5 |
|           |          | SHEET               | 2                       | OF 2        |
|           |          | QC: Inspection item |                         |             |

**Amphenol LTW**  
 安費諾亮泰企業股份有限公司

|          |                     |  |
|----------|---------------------|--|
| ITEM NO  | DRAWN BY            | DATE                                   |
| DWG NO   | CHECKED BY          | DATE                                   |
| CUSTOMER | APPROVED BY         | DATE                                   |
| ALTW     | Ruru<br>Rita<br>Max | 2018-12-11<br>2018-12-11<br>2018-12-11 |

## X-ON Electronics

Largest Supplier of Electrical and Electronic Components

*Click to view similar products for [Sensor Cables / Actuator Cables](#) category:*

*Click to view products by [Amphenol](#) manufacturer:*

Other Similar products are found below :

[60963](#) [60964](#) [M83513/19-F01CP](#) [703000D02F2002](#) [703001D02F0602](#) [703001D02F300](#) [704000D02F120](#) [773032K02F030](#) [802027107404-1](#)  
[802027213811-1](#) [804001A09M150](#) [805001A09M0502](#) [84914-0235](#) [84914-0237](#) [885030A09M020](#) [8R4J30E03C3003](#) [1200651332](#)  
[1200651713](#) [1200660844](#) [1200660845](#) [1200661173](#) [1200680071](#) [1200720053](#) [1200720081](#) [1200720099](#) [1200720217](#) [1200800231](#)  
[1200860125](#) [1200870123](#) [1200980102](#) [1200650267](#) [1200650298](#) [1200660183](#) [1200660782](#) [1200660849](#) [1200661295](#) [1200661297](#)  
[1200661342](#) [1200661343](#) [1200670080](#) [1200670220](#) [1200680331](#) [1200720252](#) [1200730184](#) [1200860344](#) [1200870359](#) [1200870643](#)  
[1200980008](#) [1200980031](#) [1210502211](#)