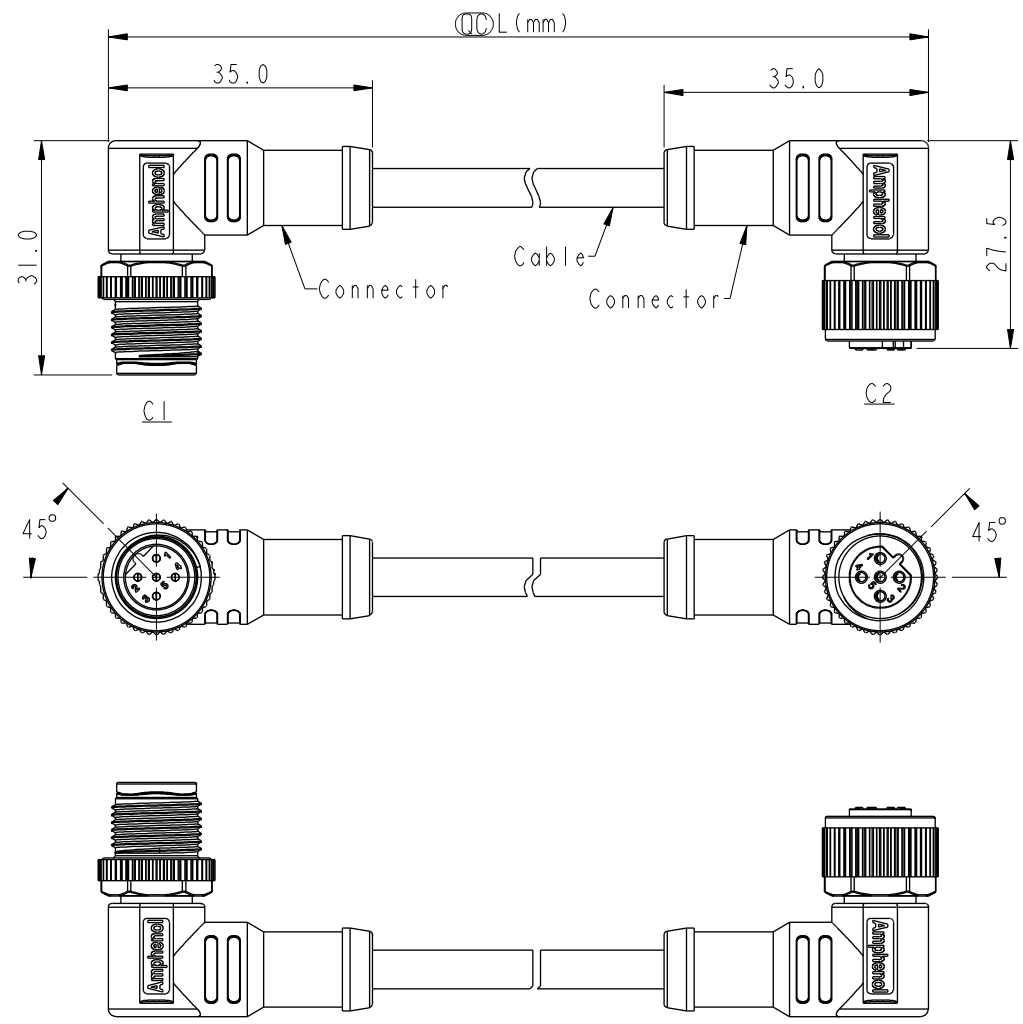


THIS DOCUMENT IS SUBJECT TO CHANGE WITHOUT NOTICE. IT IS CONFIDENTIAL AND A PROPERTY OF AMPHENOL LTW. DISCLOSURE TO THIRD PARTY HAS TO BE AUTHORIZED BY AMPHENOL LTW.

| REV. | DESCRIPTION |
|------|-------------|
| | |
| | |
| | |



- Notes:
- * (L) Important Dimension.
 - * Waterproof Rate: IP68, IP69K
 - * Connector: PU+GF, Black.
 - * Pin: Copper Alloy, Gold Plated.
 - * Screw Nut: Nylon, Black
 - * Outer Mold: PU, Black.
 - * Cable: (B) UL20549, PUR Jacket, Black.
(D) UL2517, PVC Jacket, Black.
 - * Rated Voltage: 5Pin 60V dc. or ac.
 - * Rated Current: 5Pin 4A
 - * Cable Length Tolerance: 0.5±20mm
01±40mm
02M~05M:±60mm
06M~10M:±100mm
11M~30M:±200mm
31M~99M:±500mm

| | | | | | | | |
|----------------------------------|----------------------------------|----------------|-------------------------------|------------------|--------------------|--------------------------------|--------------------|
| UNIT:mm TOLERANCE ± 0.5 mm | TITLE MI2 B-Code Double Ended | | Amphenol LTW 安費諾亮泰企業股份有限公司 | | ITEM NO | DRAWN BY Ruru | DATE 2018-12-11 |
| | SCALE 1:1 | SIZE A4 | | | SHEET 1 OF 2 | DWG NO MSBPXXMR-SBPFR-SXXXX | CHECKED BY Rita |
| | REV. A | WC-REV. A.5 | (QC): Inspection item | CUSTOMER ALTW | APPROVED BY Max | DATE 2018-12-11 | WI0814-03-#M01A2 |

THIS DOCUMENT IS SUBJECT TO CHANGE WITHOUT NOTICE. IT IS CONFIDENTIAL AND A PROPERTY OF Amphenol LTW. DISCLOSURE TO THIRD PARTY HAS TO BE AUTHORIZED BY Amphenol LTW.

| | | | | |
|----------|--------------|----------|-----|----------------------|
| 5P | PVC | 5.1 | 22 | MSBP05MR-SBPFR-SDXXX |
| 5P | PUR | 4.4 | | MSBP05MR-SBPFR-SBXXX |
| Contacts | Cable Jacket | Cable OD | AWG | Item No. |

M SBP XX M R - SBP F R - S X XXX

SBP: B-Code Plastic Nut
 05: 5Pin
 M: Male Connector(公座)
 R: Right(90°線端)

XXX: 0.5~99Meters
 A05: 0.5 Meter
 1: 01Meter
 2: 02Meters
 ...
 99: 99Meters

B: PUR UL20549 Cable,Black(PUR黑色外被線材)
 D: PVC UL2517 Cable,Black(PVC黑色外被線材)

S: Screw(螺紋式)
 R: Right(90°線端)
 F: Female Connector(母座)
 SBP: B-Code Plastic Nut

| | | | |
|---------|-----------------------|---|-----------------------|
| Pin Out | 5 4 3 2 1 | Gray Black Blue White Brown | 灰 黑 藍 白 棕 |
| | | Pin # | Wire |
| C2 | <p>5P</p> | | |
| C1 | <p>5P</p> | | |

Pin Assignments Front View

| | | | | |
|-----------|----------|---------------------|-------------------------|-------------|
| UNIT:mm | | TITLE | MI2 B-Code Double Ended | |
| TOLERANCE | ± 0.5 mm | SCALE | 1:1 | SIZE A4 |
| | | REV. | A | WC-REV. A.5 |
| | | SHEET | 2 | OF 2 |
| | | QC: Inspection item | | |

Amphenol LTW
 安費諾亮泰企業股份有限公司

| | | |
|----------|---------------------|--|
| ITEM NO | DRAWN BY | DATE |
| DWG NO | CHECKED BY | DATE |
| CUSTOMER | APPROVED BY | DATE |
| ALTW | Ruru Rita Max | 2018-12-11 2018-12-11 2018-12-11 |

X-ON Electronics

Largest Supplier of Electrical and Electronic Components

Click to view similar products for [Sensor Cables / Actuator Cables](#) category:

Click to view products by [Amphenol](#) manufacturer:

Other Similar products are found below :

[1300070444](#) [43-10984](#) [M83513/19-F01CP](#) [704000D02F120](#) [MDM15SH001K](#) [MDM25PH003BF222](#) [802027107404-1](#) [885030A09M010](#)
[885030A09M020](#) [1200650174](#) [1200651332](#) [1200651713](#) [1200660171](#) [1200660208](#) [1200660343](#) [1200660804](#) [1200660845](#) [1200660926](#)
[1200660977](#) [1200661173](#) [1200661354](#) [120066-1712](#) [1200720053](#) [1200720099](#) [1200720153](#) [1200720172](#) [1200720217](#) [1200720226](#)
[1200720251](#) [1200720285](#) [1200720296](#) [1200720404](#) [1200720537](#) [1200730148](#) [1200730378](#) [1200800231](#) [1200860112](#) [1200860121](#)
[1200860125](#) [1200860337](#) [1200860365](#) [1200860420](#) [1200870046](#) [1200870123](#) [1200870248](#) [1200980102](#) [1200660181](#) [1200660183](#)
[1200660827](#) [1200660849](#)