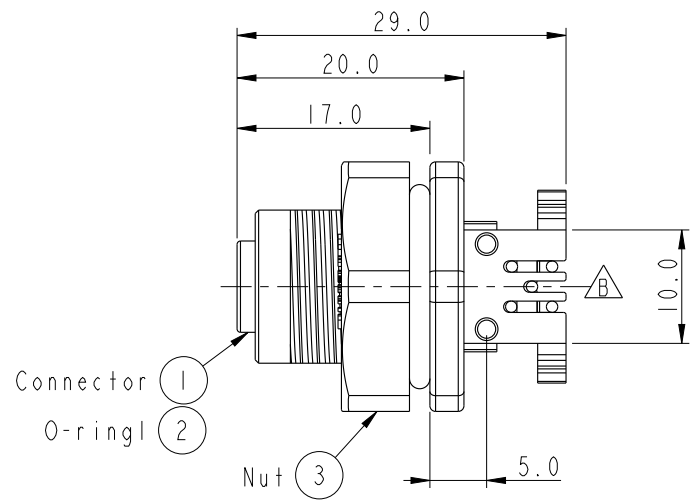
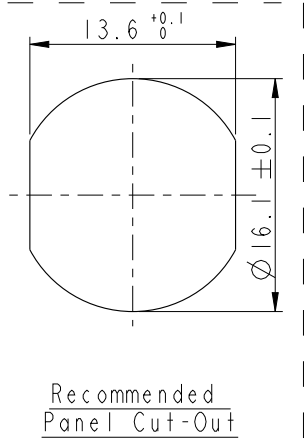
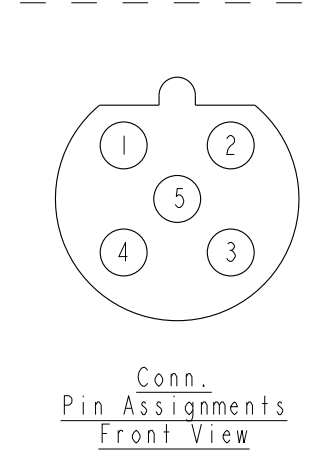
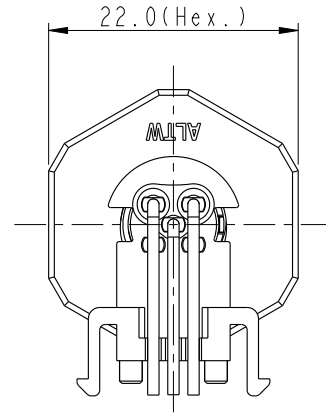
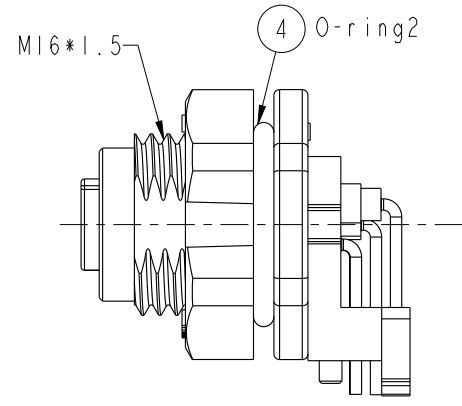
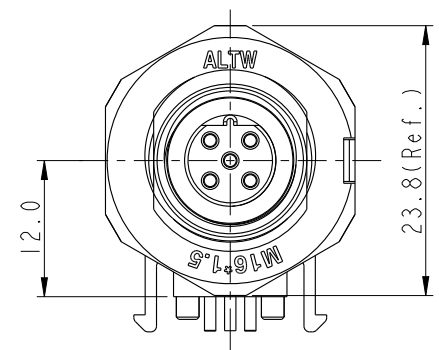
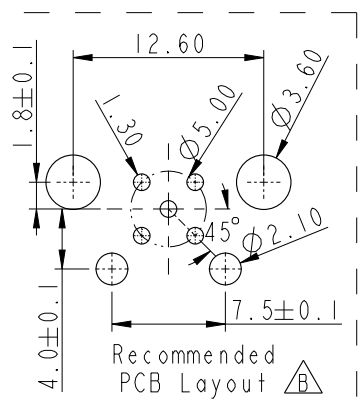


THIS DOCUMENT IS SUBJECT TO CHANGE WITHOUT NOTICE. IT IS CONFIDENTIAL AND A PROPERTY OF AMPHENOL LTW. DISCLOSURE TO THIRD PARTY HAS TO BE AUTHORIZED BY AMPHENOL LTW.

REV.	ECN NO.	DATE	SIGN	DESCRIPTION
B	CI91427	2019/08/14	Nan_Su	Change Views And Layout

**ALTW**  
**CONFIDENTIAL**  
 2019-08-14  
 R&D DEPT.



- Note:
- \* Important Dimension To Check.
  - \* Waterproof Rate: IP68  
 IP68: 1M Depth Of Water In 24hours
  - \* Connector: Nylon+GF, Black
  - \* Female Pin: Copper Alloy, Gold Plated
  - \* Shell: Nylon+GF, Black
  - \* Nut: Nylon+GF, Black
  - \* O-ring1: Silicon, Gray
  - \* O-ring2: Silicon, Black
  - \* Boardlock: PBT+PC, Black
  - \* For Panel Thickness Max. 4.0mm
  - \* For PCB Thickness Max. 1.6mm

UNIT: mm		
TOLERANCE	.X ±0.25	
	.XX ±0.1	
	.XXX ±0.05	
ANGLES	±1°	

TITLE SENSOR, M12 BCODE, 90° PANEL 5PIN FCONN FPIN, PLASTIC			
SCALE	1:1	SIZE	A4
REV.	B	WC-REV.	A.1
			Inspection item

**Amphenol LTW**  
 安費諾亮泰企業股份有限公司

ITEM NO.	MSBP-05PFFR-SF8002	DRAWN BY	Nan_Su	DATE	2019-08-14
DWG NO.	MSBP-05PFFR-SF8002	CHECKED BY	Feng_Li	DATE	2019-08-14
CUSTOMER	ALTW	APPROVED BY	Jerry	DATE	2019-08-14

## X-ON Electronics

Largest Supplier of Electrical and Electronic Components

*Click to view similar products for [Circular Metric Connectors](#) category:*

*Click to view products by [Amphenol](#) manufacturer:*

Other Similar products are found below :

[600X518037X](#) [MA1EAF1200](#) [6STD15PCR99B70A](#) [8R4000A16M020](#) [8R4A00A18M020](#) [8R5000A16M005](#) [1200910008](#) [1200910011](#)  
[1300140094](#) [130203-0054](#) [1300150099](#) [RF-12S1N8A90DU](#) [1-3637-600-5205](#) [1612618](#) [8R4006A16M010](#) [8R5006A18A120](#) [1604232](#)  
[1R3006A20M005](#) [RF-12P1N8A80DU](#) [RF-12P1N8A90DU](#) [41-01016](#) [41-40011](#) [41-40017](#) [42-01015](#) [4-22279-4](#) [4-22281-1](#) [4-22284-9](#) [43-](#)  
[00002](#) [43-01166](#) [41-40005](#) [41-40016](#) [43-00161](#) [43-01191](#) [XS3P-M421-2](#) [600X518050X](#) [SACC-DSI-FS-5P-PG9-L180 SC](#) [8R4006A16A120](#)  
[8R4000A16M010](#) [RKC 50/16](#) [1R3004A20A1201](#) [6-22279-3](#) [N03FA03144](#) [1300140077](#) [XS8A-0441](#) [859RD04-103R004](#) [860RD04-113R004](#)  
[860RD04-213R004](#) [860-X08-213R004](#) [1-213245-2](#) [2273142-2](#)