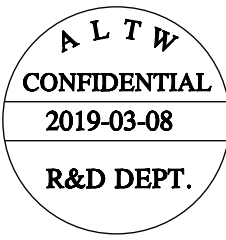
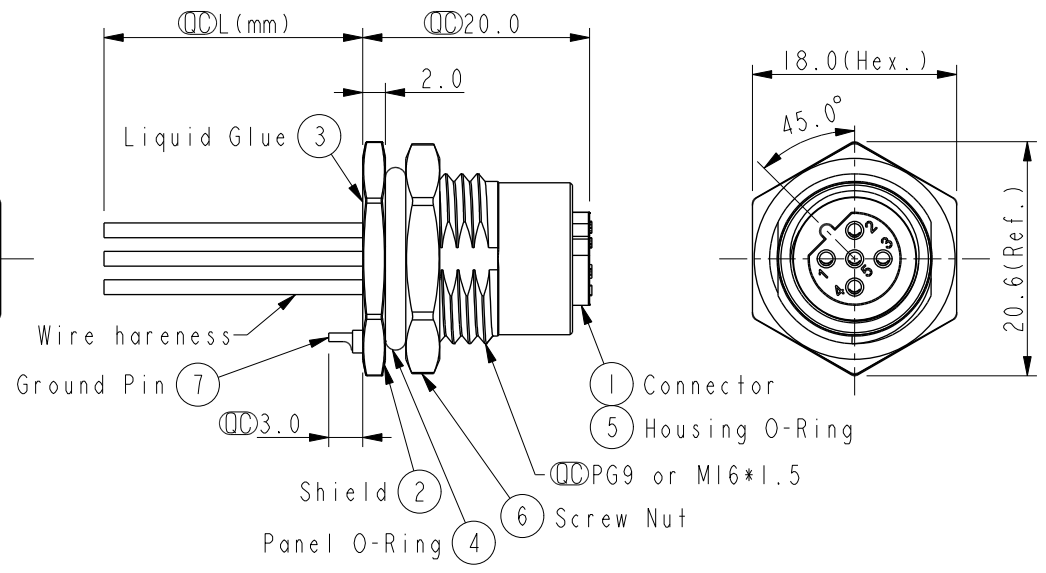
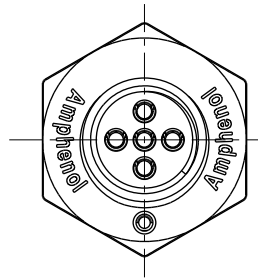
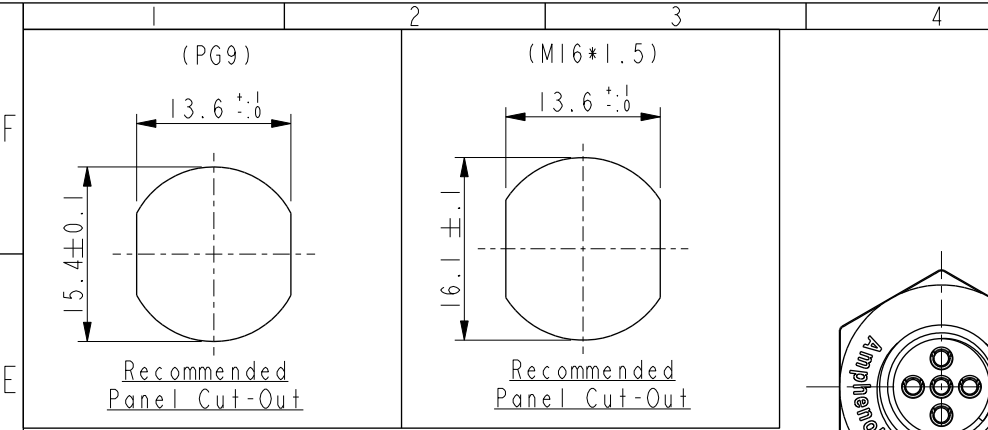
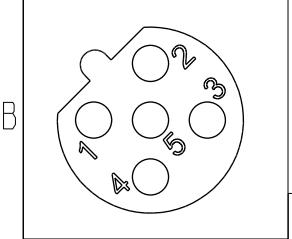


THIS DOCUMENT IS SUBJECT TO CHANGE WITHOUT NOTICE. IT IS CONFIDENTIAL AND A PROPERTY OF Amphenol LTW. DISCLOSURE TO THIRD PARTY HAS TO BE AUTHORIZED BY Amphenol LTW.

REV.	ECN NO.	DATE	SIGN	DESCRIPTION
A		2019-03-08	Allen Pan	



5	Gray	灰
4	Black	黑
3	Blue	藍
2	White	白
1	Brown	棕
Pin #	Wire	
	Pin Out	



M SBS - 05 P F F C - S F 8 X XX

SBS: B-Code
 Shielded
 05: 5 Pin

P: Panel (板端)
 F: Female Connector (母座)
 F: Female Pin (母Pin)
 C: Crimp Type (打端式)
 S: Screw (螺紋式)

15: 150mm
 30: 300mm
 50: 500mm
 A0: 1000mm
 A5: 1500mm
 Wire Length (L): 150~1500mm

B: PG9
 C: M16*1.5

8: IP68 (防水等級68)
 F: Front Fasten (前鎖式/Enclosure Rear Mount)

- Note:
- * \varnothing Important Dimension.
 - * Waterproof Rate: IP68.
 - * Housing: Nylon+GF, Black.
 - * Female Pin: Copper Alloy, Gold Plated.
 - * Shield: Zinc Alloy, Nickel Plated.
 - * Screw Nut: Zinc Alloy, Nickel Plated.
 - * Panel O-Ring: Viton, Black.
 - * Housing O-Ring: Viton, Green.
 - * Wire harness: UL1061
 - * Rated Voltage: 60V dc. or ac.
 - * Rated Current: 4A
 - * Operating Temperature: -25~85°C
 - * For Panel Thickness Max 4.5mm.
 - * Recommended Nut Torque: 4-6 Kgf.cm.
 - * Wire harness Tolerance: 150~300 ±15mm
 301~1000 ±20mm
 Over 1000 ±40mm

5P	UL1061	22	MSBS-05PFFC-SF8BXX MSBS-05PFFC-SF8CXX
Contacts	Wire harness	AWG	Item No.

UNIT: mm		TITLE M12 B-Code Female Conn. Panel Front With Wire harness Shielded
TOLERANCE .X ±0.25 .XX ±0.1 .XXX ±0.05 ANGLES ±1°	SCALE 3:2	SIZE A4
	REV. A	WC-REV. A.1
		\varnothing : Inspection item

Amphenol LTW
 安費諾亮泰企業股份有限公司

ITEM NO.	DRAWN BY	DATE
	Allen Pan	2019-03-08
DWG NO.	CHECKED BY	DATE
MSBS-05PFFC-SF8XXX	Fred Lee	2019-03-08
CUSTOMER	APPROVED BY	DATE
ALTW	Fred Lee	2019-03-08

X-ON Electronics

Largest Supplier of Electrical and Electronic Components

Click to view similar products for [Sensor Cables / Actuator Cables](#) category:

Click to view products by [Amphenol](#) manufacturer:

Other Similar products are found below :

[60963](#) [60964](#) [703000D02F2002](#) [703001D02F0602](#) [703001D02F1201](#) [703001D02F300](#) [704000D02F120](#) [MDM21SH001F](#) [773032K02F030](#)
[802027107404-1](#) [802027213811-1](#) [804001A09M150](#) [805001A09M0502](#) [84914-0235](#) [84914-0237](#) [885030A09M010](#) [8R4006A18M010](#)
[8R4J30E03C3003](#) [1200651713](#) [1200660844](#) [1200660845](#) [1200661173](#) [1200680071](#) [1200720053](#) [1200720081](#) [1200720094](#) [1200720099](#)
[1200720217](#) [1200800231](#) [1200860125](#) [1200870123](#) [1200660183](#) [1200660782](#) [1200660849](#) [1200661295](#) [1200661297](#) [1200661342](#)
[1200661343](#) [1200670080](#) [1200680331](#) [1200720252](#) [1200720255](#) [1200720597](#) [1200730184](#) [1200860344](#) [1200870359](#) [1200870643](#)
[1200980008](#) [1200980031](#) [1210502211](#)