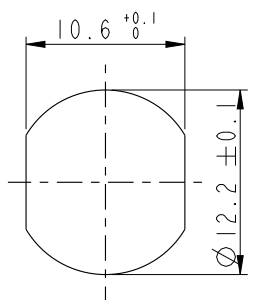
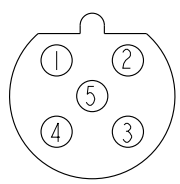
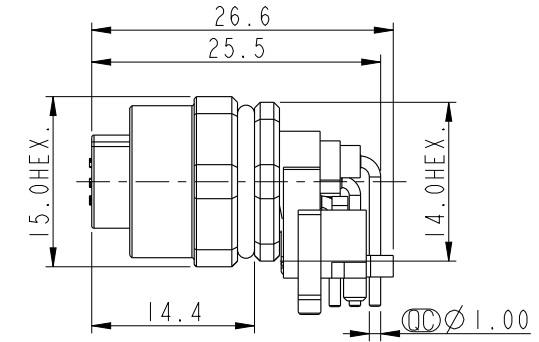
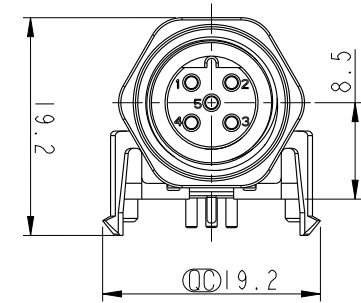
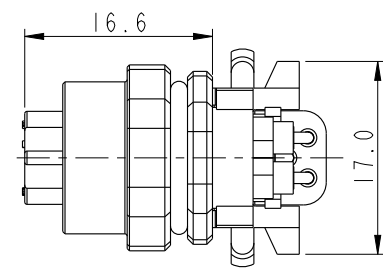
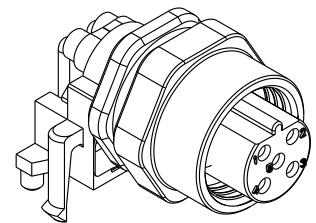
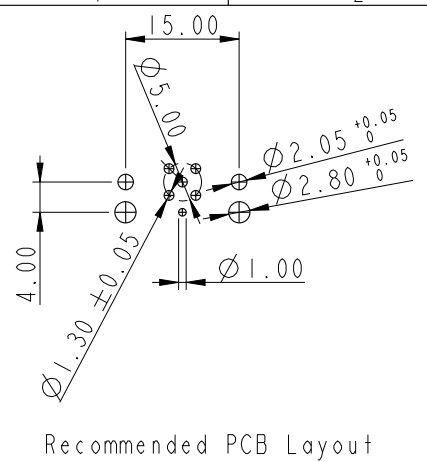
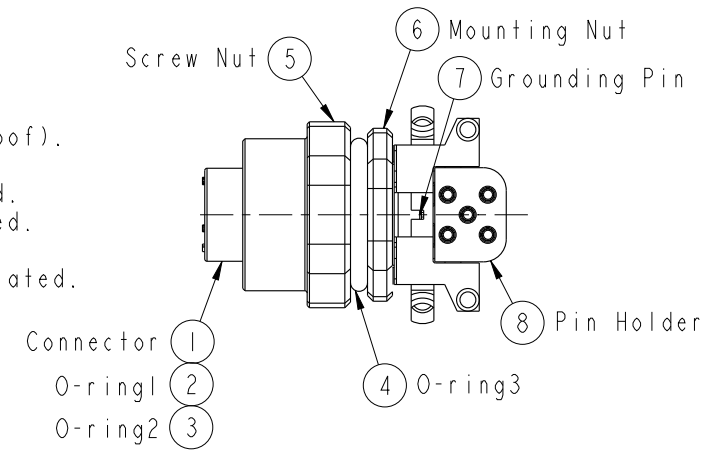


THIS DOCUMENT IS SUBJECT TO CHANGE WITHOUT NOTICE. IT IS CONFIDENTIAL AND A PROPERTY OF Amphenol LTW. DISCLOSURE TO THIRD PARTY HAS TO BE AUTHORIZED BY Amphenol LTW.

REV.	ECN NO.	DATE	SIGN	DESCRIPTION
B	C200275	2020-03-13	Nan_Su	△B*1



- Note:
- \* Ⓞ Important Dimension To Check.
  - \* Waterproof Rating: IP67(Mated Waterproof).
  - \* Connector: PBT+PC, Black.
  - \* Female Pins: Copper Alloy, Gold Plated.
  - \* Mounting Nut: Zinc Alloy, Nickel Plated.
  - \* Screw Nut: Zinc Alloy, Nickel Plated.
  - \* Grounding Pin: Copper Alloy, Nickel Plated.
  - \* O-ring1: Silicon, Black.
  - \* O-ring2: Silicon, Gray.
  - \* O-ring3: Silicon, Gray.
  - \* Pin Holder: PBT+PC, Black.
  - \* For Panel Thickness Max. 3.0mm.
  - \* For PCB Thickness Max. 1.6mm.



UNIT:mm		
TOLERANCE	.X ±0.25	
.XX ±0.1		
.XXX ±0.05		
ANGLES	±1°	

TITLE M12,90° Panel,w/ Grounding Pin 5PIN FCONN FPIN (Mated Waterproof)			
SCALE 3:2	SIZE A4	SHEET 1 OF 1	
REV. B	WC-REV. A.1	Ⓞ: Inspection item	

**Amphenol LTW**  
安費諾亮泰企業股份有限公司

ITEM NO. MSBS-05PFFR-SF7003	DWG NO. MSBS-05PFFR-SF7003	CUSTOMER ALTW
--------------------------------	-------------------------------	------------------

DRAWN BY Yulong_wang	CHECKED BY Jinhai	APPROVED BY Jerry
-------------------------	----------------------	----------------------

DATE 2016-12-11	DATE 2016-12-11	DATE 2016-12-11
--------------------	--------------------	--------------------

## X-ON Electronics

Largest Supplier of Electrical and Electronic Components

*Click to view similar products for [Circular Metric Connectors](#) category:*

*Click to view products by [Amphenol](#) manufacturer:*

Other Similar products are found below :

[600X518037X](#) [6STD15PCR99B70A](#) [8R4000A16M020](#) [8R5000A16M005](#) [1200910002](#) [1203580030](#) [1200910008](#) [1200910011](#) [1300140094](#)  
[130203-0054](#) [1300140026](#) [1300150099](#) [1-3637-600-5205](#) [1612618](#) [21036836414](#) [8R4006A16M010](#) [1R3006A20M005](#) [41-40011](#) [42-00006](#)  
[42-01015](#) [4-22279-4](#) [4-22281-1](#) [4-22284-9](#) [43-00113](#) [43-01203](#) [41-40013](#) [42-00008](#) [43-00343](#) [43-01026](#) [43-01162](#) [43-01173](#) [43-10000](#)  
[XS3P-M421-2](#) [600X518050X](#) [8R5006A16M020](#) [8R5006A16M005](#) [8R4000A16M010](#) [6-22279-3](#) [1605332](#) [N03FA03144](#) [1300140077](#) [43-](#)  
[16213](#) [43-01338](#) [XS2RD4265](#) [XS2R-D426-1](#) [XS8A-0441](#) [859RD04-103R004](#) [860RD04-113R004](#) [860RD04-213R004](#) [1-213245-2](#)