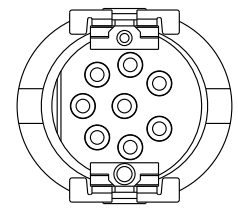
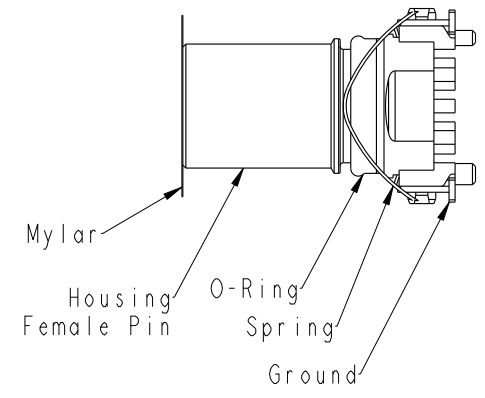
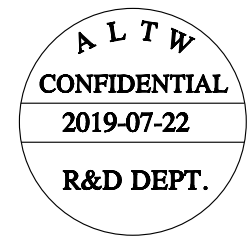


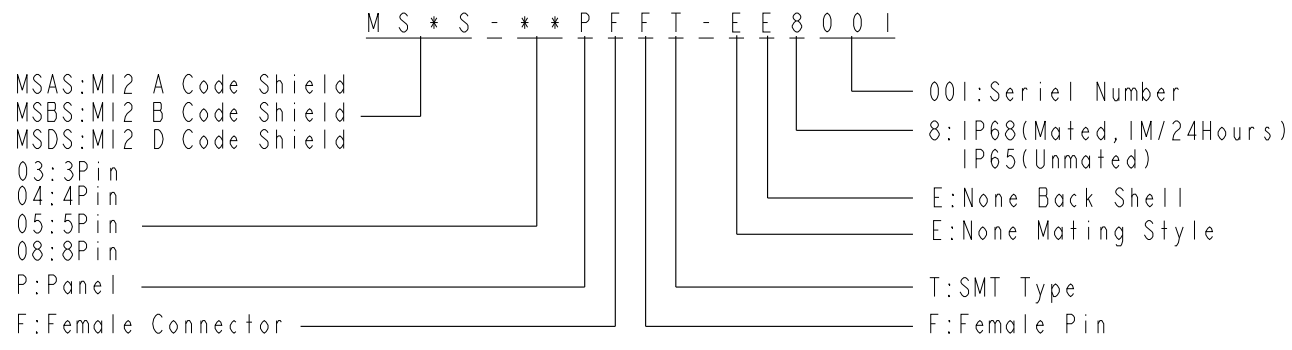
THIS DOCUMENT IS SUBJECT TO CHANGE WITHOUT NOTICE. IT IS CONFIDENTIAL AND A PROPERTY OF Amphenol LTW. DISCLOSURE TO THIRD PARTY HAS TO BE AUTHORIZED BY Amphenol LTW.

REV.	ECN NO.	DATE	SIGN	DESCRIPTION
A	Initial Release	2017/12/15	Arvin Chan	Change Rev.01 To Rev.A
B	LEN1840025~9	2018/03/19	Jason Yu	Modify Note & Update Box
C	CI91283	2019/07/22	JC Chen	Describe the correction



Note:

- \*  $\text{Ⓞ}$  Important Dimension,
- Material Specification :
  - \* Housing : Thermoplastic
  - \* Female Pin : Copper Alloy, Gold Plated
  - \* Ground : Copper Alloy, Tin Plated
  - \* Spring : Stainless Steel
  - \* O-Ring : Silicone, Black
- Electrical Specification :
  - \* Contact Resistance :  $10\text{m}\Omega$  Max.
  - \* Insulation Resistance :  $100\text{M}\Omega$  min.
  - \* Dielectric Withstanding Voltage : 1KV
  - \* Rated Voltage : 3Pin&4Pin 250V d.c. or a.c.  
5Pin 60V d.c. or a.c.  
8Pin 30V d.c. or a.c.
  - \* Rated Current : 3Pin,4Pin&5Pin 4A  
8Pin 2A
- Mechanical Specification :
  - \* Durability : 1000 Cycles(IEC : 100 Cycles)
- Environmental Specification :
  - \* Temperature Range :  $-55\sim 125^{\circ}\text{C}$
  - \* Salt Spray : 48h
  - \* SMT Temperature & Time :  $260^{\circ}\text{C}/5\text{Sec}$
  - \* SMT Paste :  $0.12\text{mm}$  min.



UNIT : mm	
TOLERANCE	
.X	$\pm 0.25$
.XX	$\pm 0.1$
.XXX	$\pm 0.05$
ANGLES	$\pm 1^{\circ}$

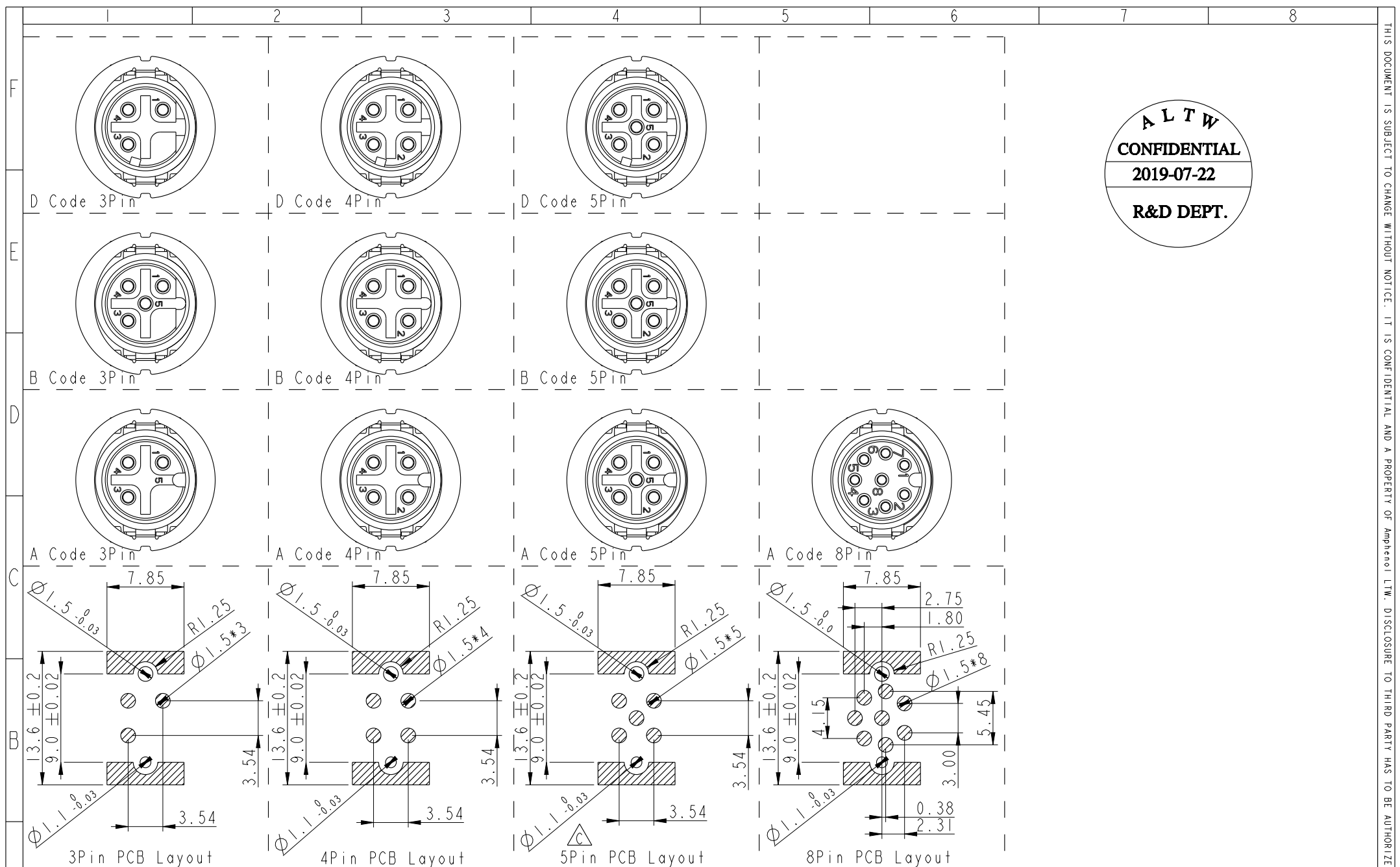
TITLE MI2 F CONN F PIN SMT TYPE			
SCALE 1:1	SIZE A4	SHEET 1 OF 4	
REV. C	WC-REV. A.2	$\text{Ⓞ}$ : Inspection item	

**Amphenol LTW**  
安費諾亮泰企業股份有限公司

ITEM NO MSXS-XXPFFT-EE8XXX	DRAWN BY JC Chen	DATE 2019/07/22
DWG NO MSXS-XXPFFT-EE8XXX	CHECKED BY Li Feng	DATE 2019/07/22
CUSTOMER ALTW	APPROVED BY Jerry	DATE 2019/07/22

THIS DOCUMENT IS SUBJECT TO CHANGE WITHOUT NOTICE. IT IS CONFIDENTIAL AND A PROPERTY OF Amphenol LTW. DISCLOSURE TO THIRD PARTY HAS TO BE AUTHORIZED BY Amphenol LTW.

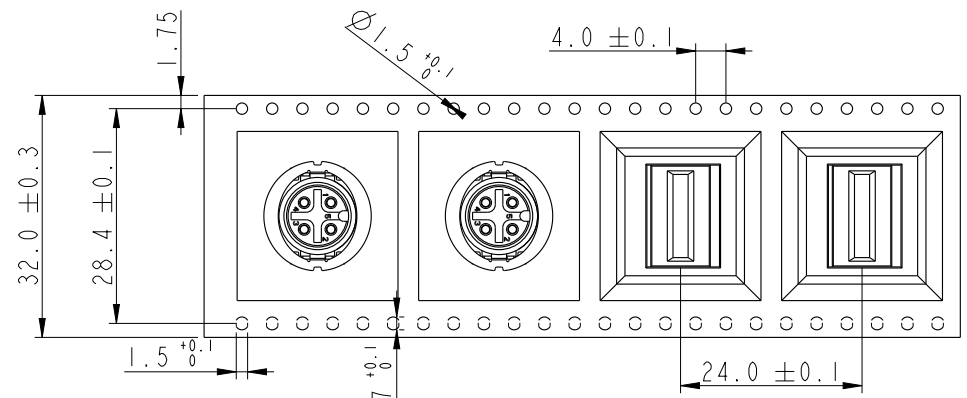
**ALTW**  
**CONFIDENTIAL**  
 2019-07-22  
**R&D DEPT.**



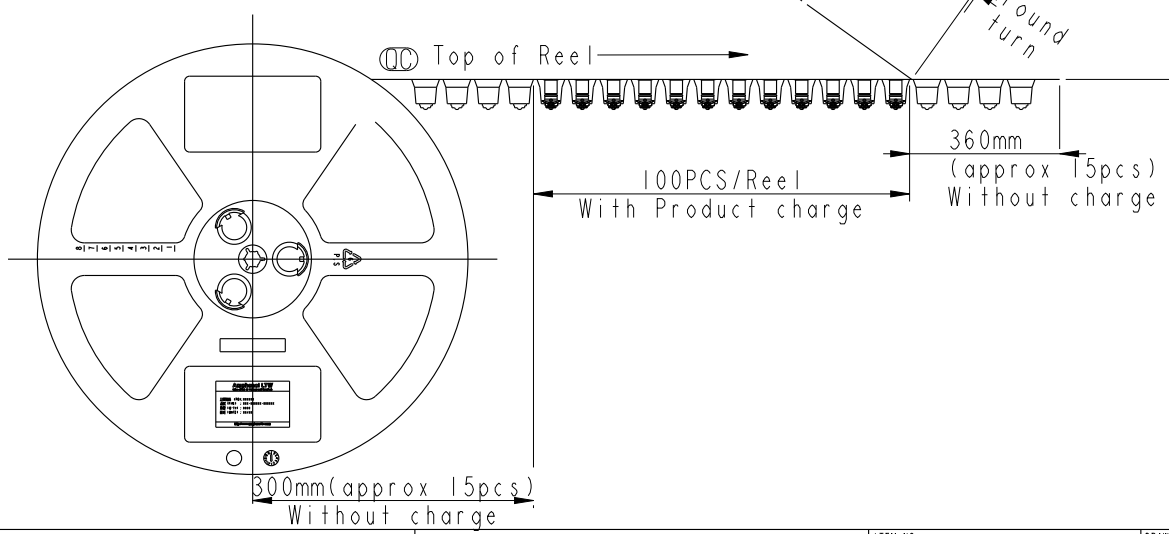
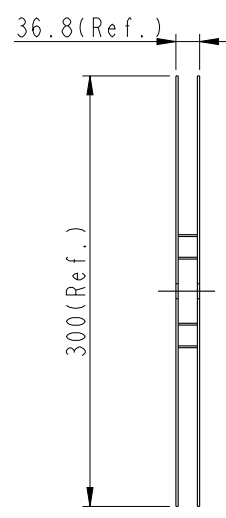
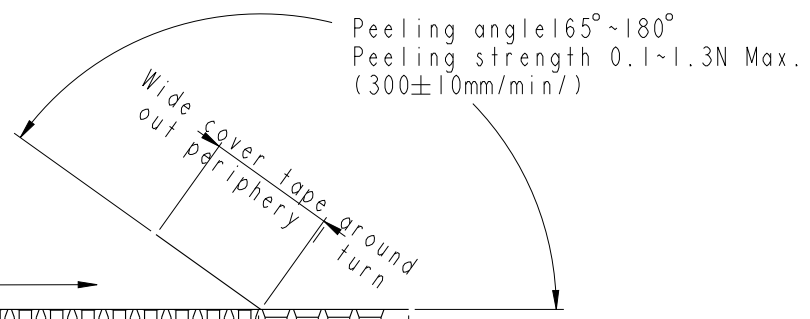
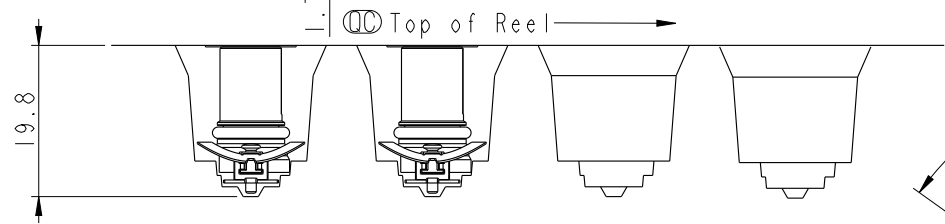
A	UNIT: mm	TITLE M12 F CONN F PIN SMT TYPE		<b>Amphenol LTW</b>		ITEM NO MSXS-XXPFFT-EE8XXX	DRAWN BY JC Chen	DATE 2019/07/22
	TOLERANCE .X ±0.25 .XX ±0.1 .XXX ±0.05 ANGLES ±1°	SCALE 1:1	SIZE A4	SHEET 2 OF 4	<b>安費諾亮泰企業股份有限公司</b>	DWG NO MSXS-XXPFFT-EE8XXX	CHECKED BY Li Feng	DATE 2019/07/22
	REV. C	WC-REV. .0	☉: Inspection item		CUSTOMER ALTW	APPROVED BY Jerry	DATE 2019/07/22	

THIS DOCUMENT IS SUBJECT TO CHANGE WITHOUT NOTICE. IT IS CONFIDENTIAL AND A PROPERTY OF Amphenol LTW. DISCLOSURE TO THIRD PARTY HAS TO BE AUTHORIZED BY Amphenol LTW.

**ALTW**  
**CONFIDENTIAL**  
 2019-07-22  
**R&D DEPT.**



NOTE:  
 (CC)\* Connector Orient follow Drawing



UNIT: mm		
TOLERANCE	.X ±0.25	
	.XX ±0.1	
	.XXX ±0.05	
ANGLES	±1°	

TITLE M12 F CONN F PIN SMT TYPE			
SCALE	1:1	SIZE	A4
REV.	C	WC-REV.	.0
		SHEET	3 OF 4
(CC): Inspection item			

**Amphenol LTW**  
 安費諾亮泰企業股份有限公司

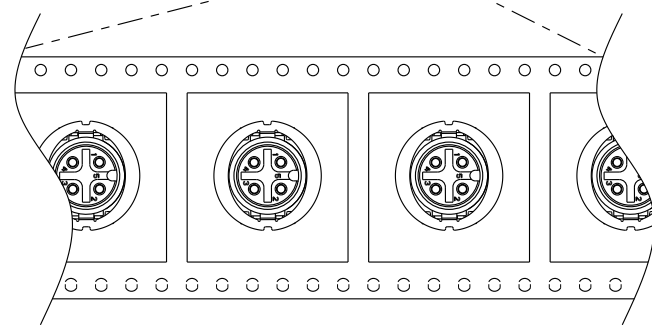
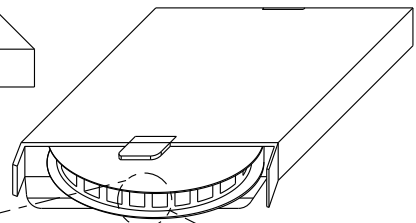
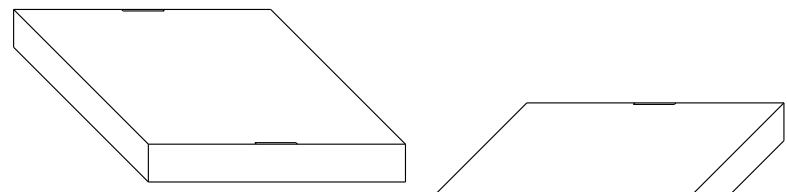
ITEM NO	MSXS-XXPFFT-EE8XXX
DWG NO	MSXS-XXPFFT-EE8XXX
CUSTOMER	ALTW

DRAWN BY	JC Chen
CHECKED BY	Li Feng
APPROVED BY	Jerry

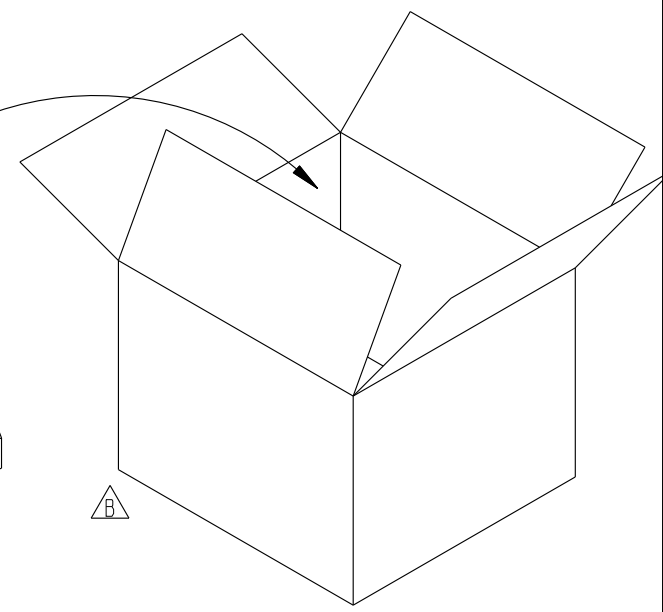
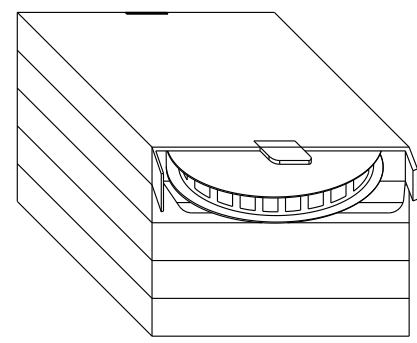
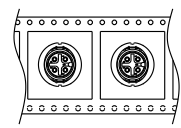
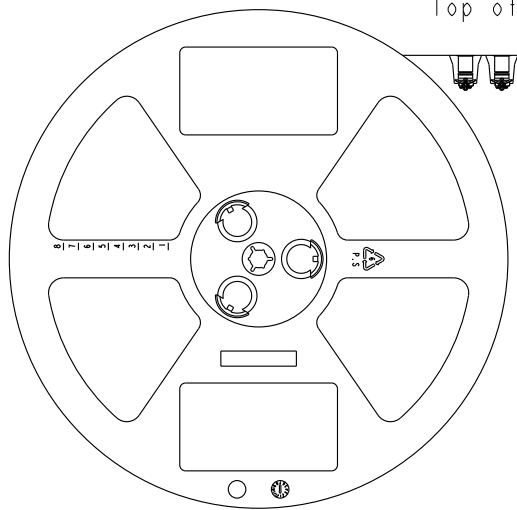
DATE	2019/07/22
DATE	2019/07/22
DATE	2019/07/22

THIS DOCUMENT IS SUBJECT TO CHANGE WITHOUT NOTICE. IT IS CONFIDENTIAL AND A PROPERTY OF AMPHENOL LTW. DISCLOSURE TO THIRD PARTY HAS TO BE AUTHORIZED BY AMPHENOL LTW.

**ALTW**  
**CONFIDENTIAL**  
**2019-07-22**  
**R&D DEPT.**

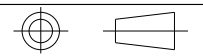


Top of Reel →



Note:  
 100 PCS(Connector)/Tape&Reel Put in a Box  
 5PCS(Max.) Box Put in a Carton

UNIT: mm



TITLE MI2 F CONN F PIN SMT TYPE			
SCALE 1:1	SIZE A4	SHEET 4 OF 4	
REV. C	WC-REV. .0	QC: Inspection item	

**Amphenol LTW**

安費諾亮泰企業股份有限公司

ITEM NO MSXS-XXPFFT-EE8XXX	DRAWN BY JC Chen	DATE 2019/07/22
DWG NO MSXS-XXPFFT-EE8XXX	CHECKED BY Li Feng	DATE 2019/07/22
CUSTOMER ALTW	APPROVED BY Jerry	DATE 2019/07/22

## X-ON Electronics

Largest Supplier of Electrical and Electronic Components

*Click to view similar products for [Circular Metric Connectors](#) category:*

*Click to view products by [Amphenol](#) manufacturer:*

Other Similar products are found below :

[600X518037X](#) [6STD15PCR99B70A](#) [8R4000A16M020](#) [8R5000A16M005](#) [1200910002](#) [1203580030](#) [1200910008](#) [1200910011](#) [1300140094](#)  
[130203-0054](#) [1300140026](#) [1300150099](#) [1-3637-600-5205](#) [1612618](#) [21036836414](#) [8R4006A16M010](#) [1R3006A20M005](#) [41-40011](#) [42-00006](#)  
[42-01015](#) [4-22279-4](#) [4-22281-1](#) [4-22284-9](#) [43-00113](#) [43-01203](#) [41-40013](#) [42-00008](#) [43-00343](#) [43-01026](#) [43-01162](#) [43-01173](#) [43-10000](#)  
[XS3P-M421-2](#) [600X518050X](#) [8R5006A16M020](#) [8R5006A16M005](#) [8R4000A16M010](#) [6-22279-3](#) [1605332](#) [N03FA03144](#) [1300140077](#) [43-](#)  
[16213](#) [43-01338](#) [XS2RD4265](#) [XS2R-D426-1](#) [XS8A-0441](#) [859RD04-103R004](#) [860RD04-113R004](#) [860RD04-213R004](#) [1-213245-2](#)