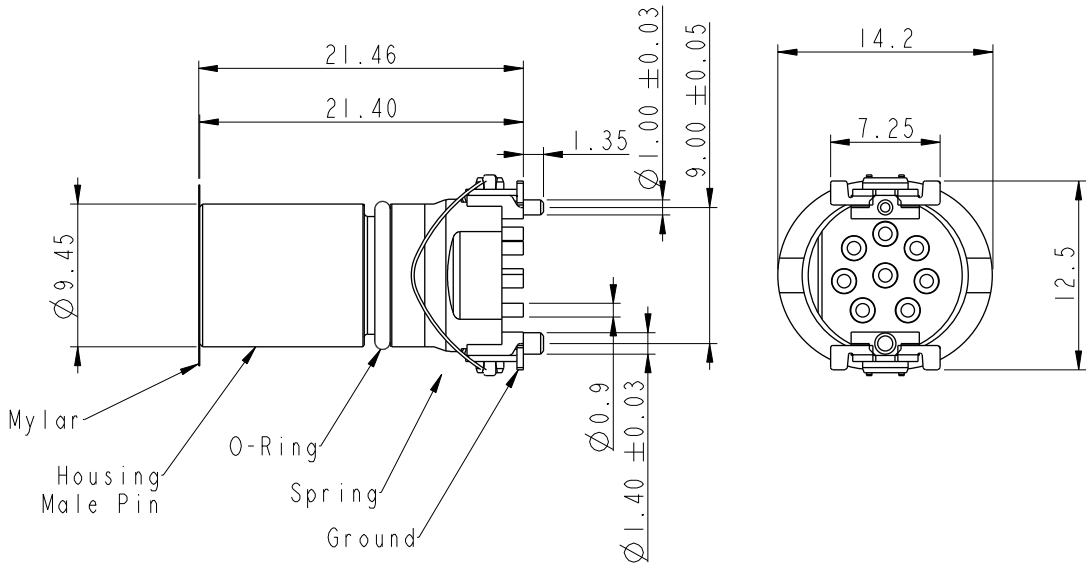
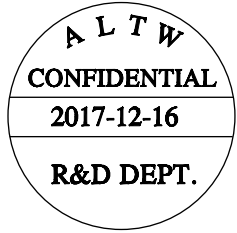


REV.	ECN NO.	DATE	SIGN	DESCRIPTION
A	Initial Release	2017/12/16	Arvin Chan	Change Rev.01 To Rev.A



Note:

- * \varnothing Important Dimension,
- Material Specification :
- * Housing : Thermoplastic
- * Male Pin : Copper Alloy, Gold Plated
- * Ground : Copper Alloy, Tin Plated
- * Spring : Stainless Steel
- * O-Ring : Silicone, Gray
- Electrical Specification :
- * Contact Resistance : 10m Ω Max.
- * Insulation Resistance : 100M Ω min.
- * Dielectric Withstanding Voltage : 1KV
- * Rated Voltage : 3Pin, 4Pin 250V d.c. or a.c.
- 5Pin 60V d.c. or a.c.
- 8Pin 30V d.c. or a.c.
- * Rated Current : 3Pin, 4Pin & 5Pin 4A
- 8Pin 2A
- Mechanical Specification :
- * Durability : 1000 Cycles (IEC : 100 Cycles)
- Environmental Specification :
- * Temperature Range : -55~125°C
- * Salt Spray : 48h
- * SMT Temperature & Time : 260°C/5Sec
- * SMT Paste : 0.12mm min.

MS * S - * * P M M T - E E 8 0 0 1

MSAS: M12 A Code Shield
 MSBS: M12 B Code Shield
 MSDS: M12 D Code Shield
 03: 3Pin
 04: 4Pin
 05: 5Pin
 08: 8Pin
 P: Panel
 M: Male Connector

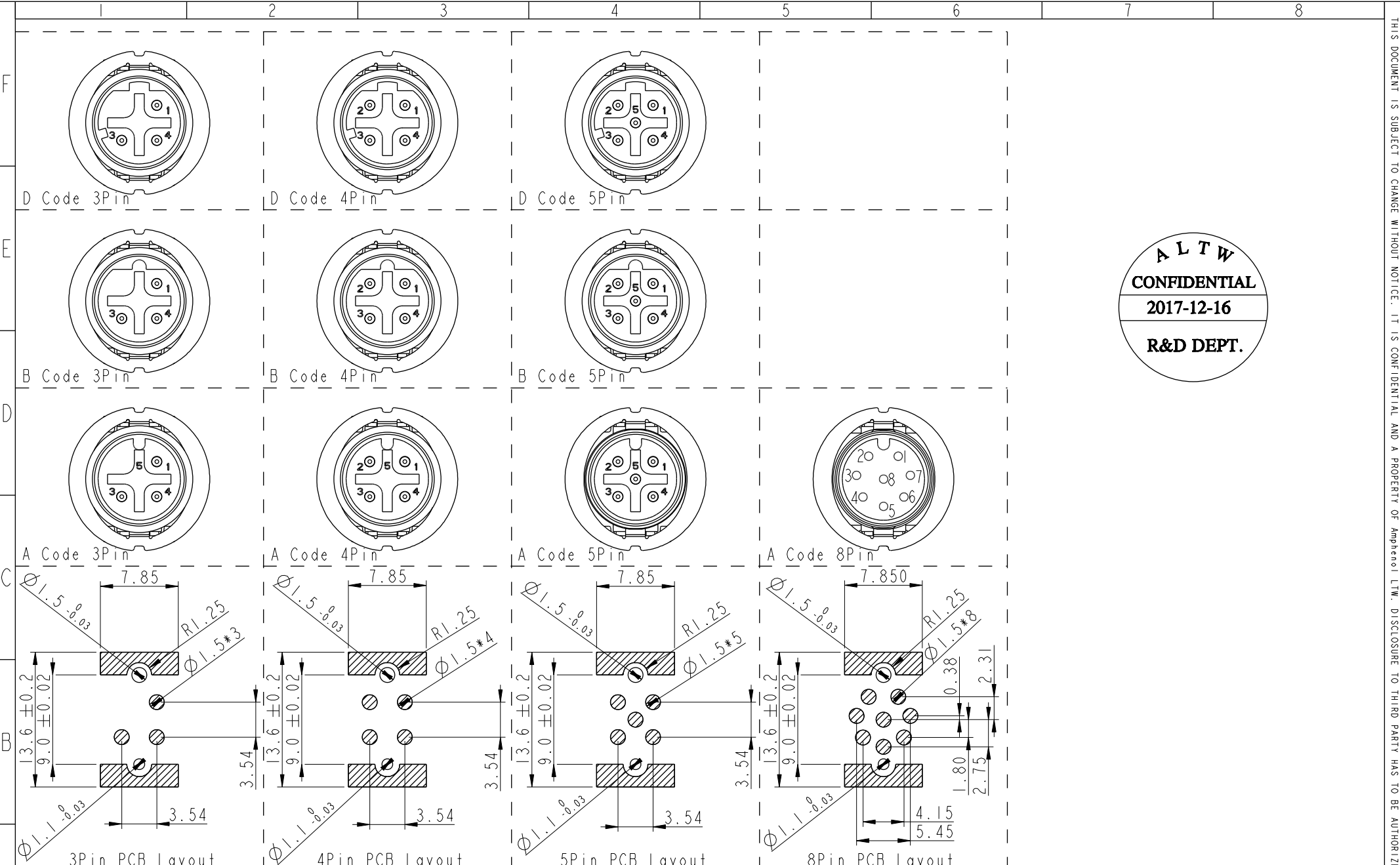
001: Serial Number
 8: IP68 (Mated, 1M/24Hours)
 IP65 (Unmated)
 E: None Back Shell
 E: None Mating Style
 T: SMT Type
 M: Male Pin

UNIT: mm TOLERANCE .X ±0.25 .XX ±0.1 .XXX ±0.05 ANGLES ±1°	TITLE M12 M CONN M PIN SMT TYPE		Amphenol LTW 安費諾亮泰企業股份有限公司		ITEM NO	DRAWN BY	DATE
	SCALE	SIZE			SHEET	OF	DWG NO
	REV.	WC-REV.	QC: Inspection item		CUSTOMER	APPROVED BY	DATE

THIS DOCUMENT IS SUBJECT TO CHANGE WITHOUT NOTICE. IT IS CONFIDENTIAL AND A PROPERTY OF AMPHENOL LTW. DISCLOSURE TO THIRD PARTY HAS TO BE AUTHORIZED BY AMPHENOL LTW.

THIS DOCUMENT IS SUBJECT TO CHANGE WITHOUT NOTICE. IT IS CONFIDENTIAL AND A PROPERTY OF Amphenol LTW. DISCLOSURE TO THIRD PARTY HAS TO BE AUTHORIZED BY Amphenol LTW.

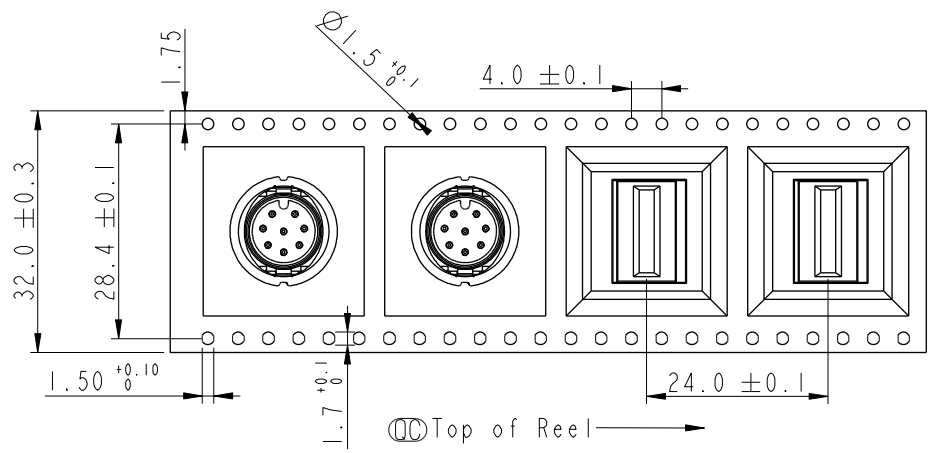
A L T W
CONFIDENTIAL
 2017-12-16
R&D DEPT.



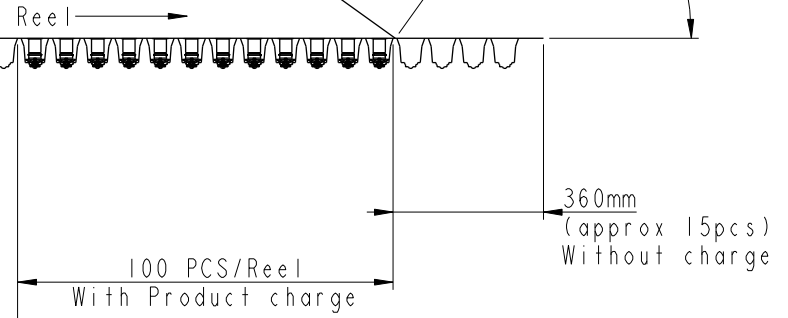
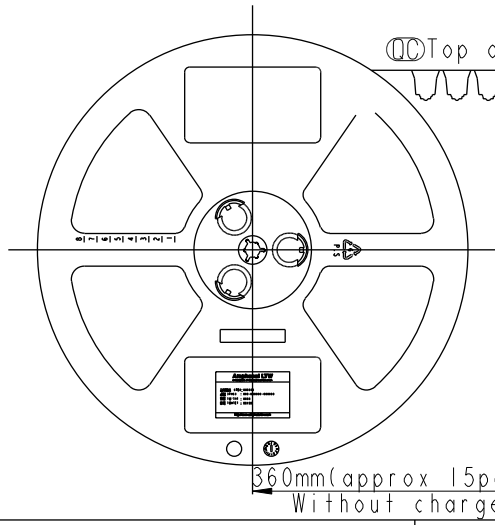
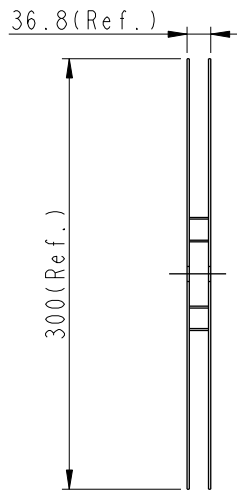
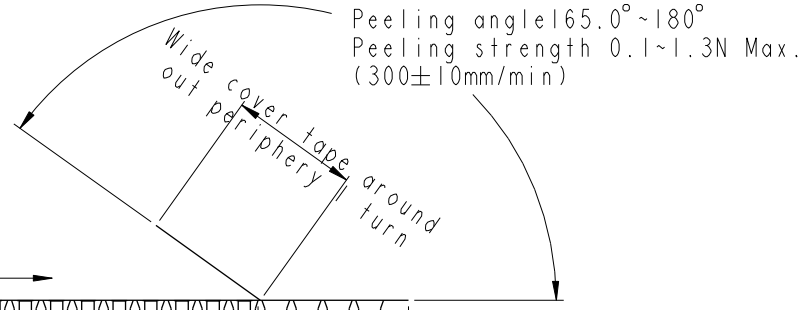
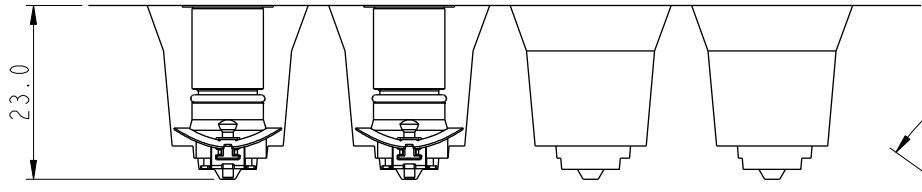
UNIT: mm 	TITLE M12 M CONN M PIN SMT TYPE			Amphenol LTW 安費諾亮泰企業股份有限公司		ITEM NO MSXS-XXPMT-EE8XXX	DRAWN BY Arvin Chan	DATE 2017-12-16
	TOLERANCE .X ±0.25 .XX ±0.1 .XXX ±0.05 ANGLES ±1°		SCALE 1:1	SIZE A4	SHEET 2 OF 4	DWG NO MSXS-XXPMT-EE8XXX	CHECKED BY Aric Ko	DATE 2017-12-16
	REV. A		WC-REV. A.3	QC: Inspection item		CUSTOMER ALTW	APPROVED BY Kevin Hu	DATE 2017-12-16

THIS DOCUMENT IS SUBJECT TO CHANGE WITHOUT NOTICE. IT IS CONFIDENTIAL AND A PROPERTY OF AMPHENOL LTW. DISCLOSURE TO THIRD PARTY HAS TO BE AUTHORIZED BY AMPHENOL LTW.

ALTW
CONFIDENTIAL
 2017-12-16
R&D DEPT.



Note :
 ◎◎ * Connector Orientat follow Drawing



UNIT: mm		
TOLERANCE	.X ±0.25	
.XX ±0.1		
.XXX ±0.05		
ANGLES	±1°	

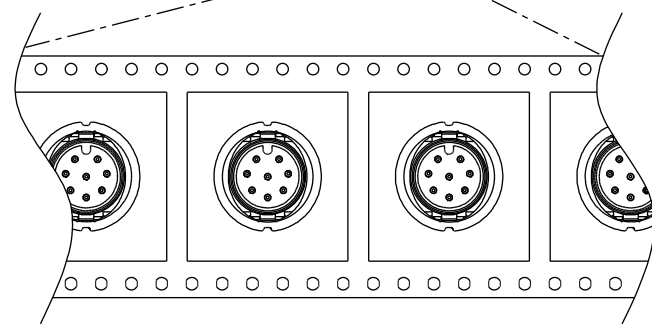
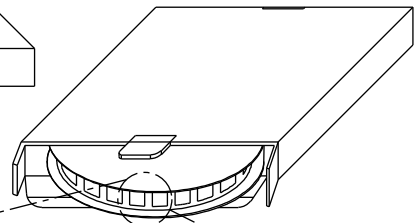
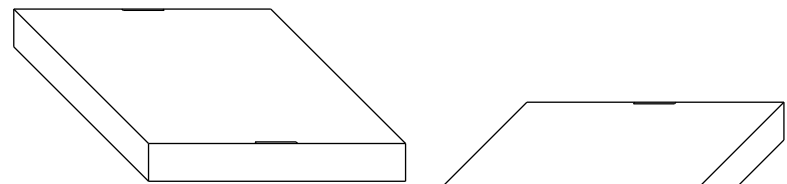
TITLE M12 M CONN M PIN SMT TYPE			
SCALE 1:1	SIZE A4	SHEET 3 OF 4	
REV. A	WC-REV. A.3	◎◎: Inspection item	

Amphenol LTW
 安費諾亮泰企業股份有限公司

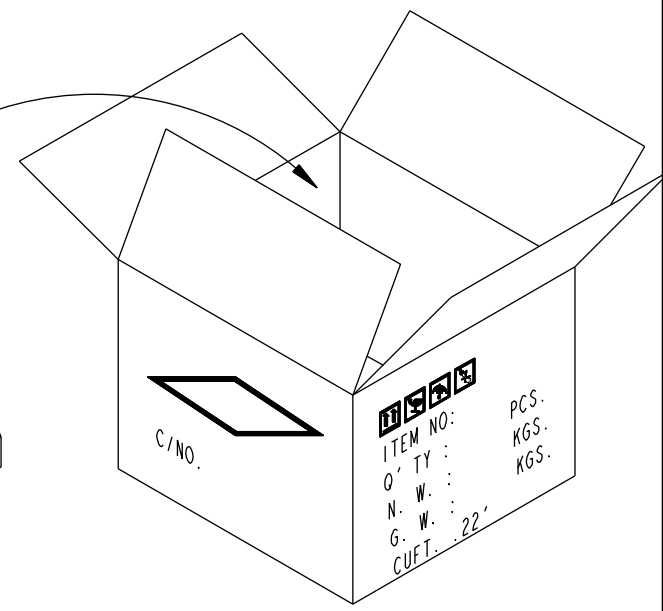
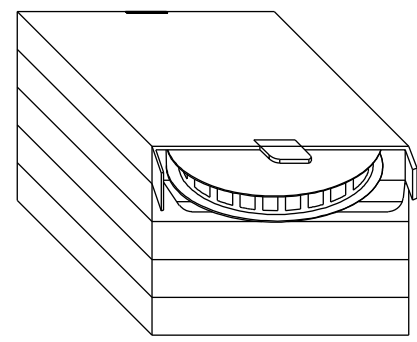
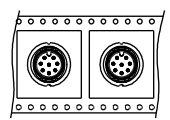
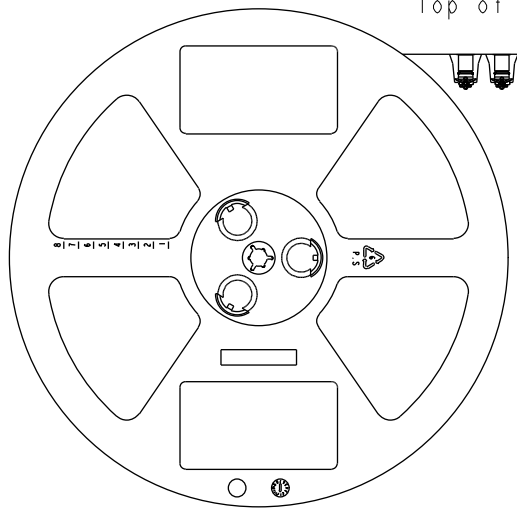
ITEM NO	DRAWN BY Arvin Chan	DATE 2017-12-16
DWG NO MSXS-XXPMMT-EE8XXX	CHECKED BY Aric Ko	DATE 2017-12-16
CUSTOMER ALTW	APPROVED BY Kevin Hu	DATE 2017-12-16

THIS DOCUMENT IS SUBJECT TO CHANGE WITHOUT NOTICE. IT IS CONFIDENTIAL AND A PROPERTY OF AMPHENOL LTW. DISCLOSURE TO THIRD PARTY HAS TO BE AUTHORIZED BY AMPHENOL LTW.

ALTW
CONFIDENTIAL
2017-12-16
R&D DEPT.

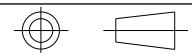


Top of Reel →



Note:
 100 PCS(Connector)/Tape&Reel Put in a Box
 5PCS(Max.) Box Put in a Carton

UNIT: mm



TITLE MI2 M CONN M PIN SMT TYPE			
SCALE 1:1	SIZE A4	SHEET 4 OF 4	
REV. A	WC-REV. A.3	QC: Inspection item	

Amphenol LTW
安費諾亮泰企業股份有限公司

ITEM NO.	DRAWN BY Arvin Chan	DATE 2017-12-16
DWG NO. MSXS-XXPMMT-EE8XXX	CHECKED BY Aric Ko	DATE 2017-12-16
CUSTOMER ALTW	APPROVED BY Kevin Hu	DATE 2017-12-16

X-ON Electronics

Largest Supplier of Electrical and Electronic Components

Click to view similar products for [Circular Metric Connectors](#) category:

Click to view products by [Amphenol](#) manufacturer:

Other Similar products are found below :

[600X518037X](#) [MA1EAF1200](#) [6STD09SAM99B70X](#) [8R4A00A18M020](#) [1300140094](#) [130203-0054](#) [1300150099](#) [1-3637-600-5205](#) [1545399](#)
[1A4000-348](#) [8R4006A16M010](#) [8R5006A18A120](#) [1R3006A20M005](#) [RF-12P1N8A80DU](#) [RF-12P1N8A90DU](#) [41-01016](#) [41-40010](#) [41-40011](#)
[41-40017](#) [42-01015](#) [4-22279-4](#) [4-22281-1](#) [4-22284-9](#) [43-10041](#) [41-40005](#) [41-40016](#) [43-00132](#) [XS3P-M421-2](#) [600X518050X](#) [SACC-DSI-](#)
[FS-5P-PG9-L180 SC](#) [8R4000A16M010](#) [1R3004A20A1201](#) [N03FA03144](#) [1300140077](#) [41-01117](#) [XS2RD4265](#) [RSC 4/9](#) [XS2R-D426-1](#)
[XS8A-0441](#) [859RD04-103R004](#) [860RD04-113R004](#) [860-X08-213R004](#) [1-213245-2](#) [2273142-2](#) [LC20-02PMFS-SW8001](#) [1604360](#)
[21031121405](#) [MSAS-12PMMP-SF8001](#) [8P-04BFFB-SL7001](#) [21038122406](#)