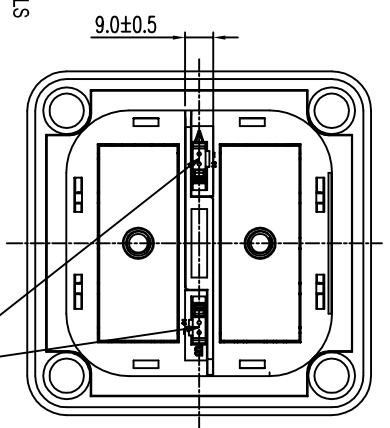
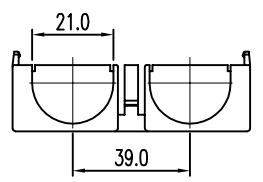
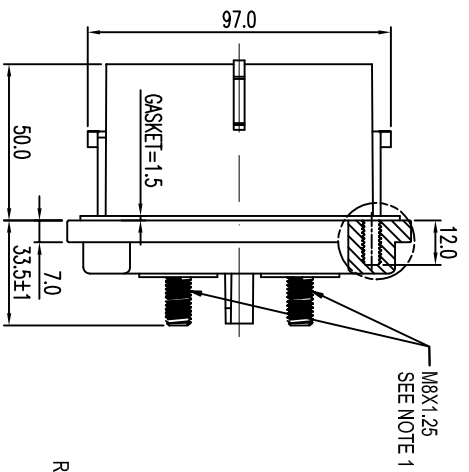
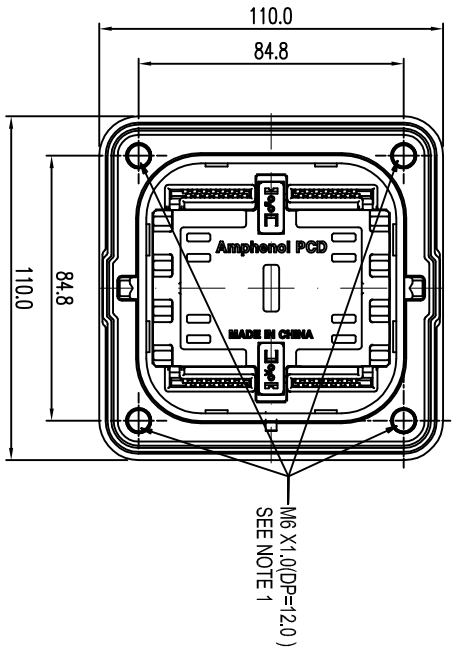
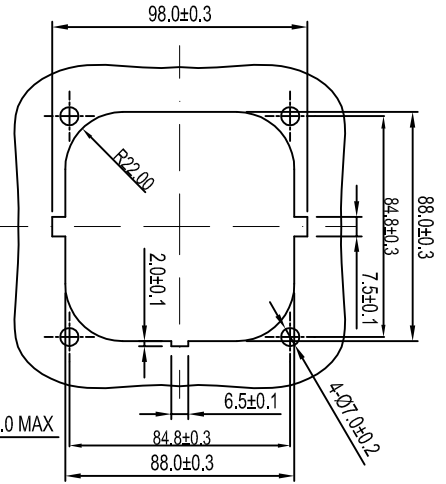


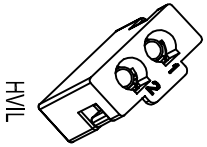
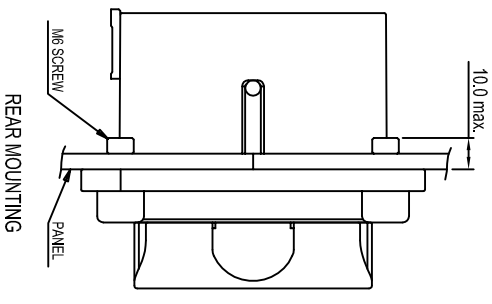
REV	ECN	DESCRIPTION	DATE	MODIFIED
A		PRST-RELEASE	2019.03.12	T.H



TECHNICAL DATA	FEATURE
RATED VOLTAGE (WITH SHUNT)	1000 V DC
OPERATING TEMPERATURE	-40°C ~ +125°C
ABIENT TEMPERATURE	-40°C ~ +70°C
DIELECTRIC WITHSTANDING VOLTAGE	3000 V AC
INSULATION RESISTANCE	≥100 MΩ
DURABILITY	≥50 CYCLES
WATERPROOF (MATED CONDITION)	IP67 IP68/9K



PANEL CUT-OUT OF REAR MOUNTING
后安装方式，面板参考安装尺寸。



- NOTES:
1. Threaded Stud Torque Limits (M6): 8Nm, (M8): 13.4Nm
 2. HVIL Connector: MSD-HVIL-2S
Contact Pin: Crimping Type For 0.5~1.0MM/2Cable
 3. Height Of Panel With Screw: 10mm Max. (Rear Mounting)
 4. Max Lugs Terminals 95mm² If Added Rear Block
Max Lugs Terminals 120mm² If Without Rear Block
 5. Shell Material: PA66+GF, UL94V0
 6. Standards: Usca-2, Usca-37
 7. ROHS COMPLIANT.

DIMENSIONS	TOLERANCES	PROJECTION
ANSI Y14.5M UNITS: MM PROJ FILE	X ±1.0 XX ±0.5 ANGLES ±1.0°	

CHKD ENG TOMMY HU	2019.03.12
Amphenol Pcd Shenzhen	

SIZE A3	DWG NO. MSDF000R	REV A
------------	---------------------	----------

THIS DOCUMENT CONTAINS
PROPRIETARY INFORMATION WHICH
IS THE CONFIDENTIAL PROPERTY
OF AMPHENOL PCD SHENZHEN

APPD
Sengpa
Jack

CODE: 58982	SCALE: 1:?	SHEET 1 OF 1
-------------	------------	--------------

X-ON Electronics

Largest Supplier of Electrical and Electronic Components

Click to view similar products for [Automotive Connectors](#) category:

Click to view products by [Amphenol](#) manufacturer:

Other Similar products are found below :

[003-018-000](#) [60403001](#) [60993906-B](#) [M902-2131](#) [M902-2161](#) [72.330.1035.1](#) [73.353.4028.0](#) [F119300-B](#) [F166900](#) [F258300-B](#) [F358300-B](#)
[F407400](#) [F444110](#) [F487000](#) [F509500B-B](#) [827153-1](#) [8N1515-32-24P](#) [9-1326729-8](#) [925474-1](#) [928905-1](#) [964562-4](#) [968782-1](#) [GT17SA-8DS-](#)
[HU](#) [98891-1012](#) [98947-1016](#) [12004475-L](#) [12010290](#) [12010309-B](#) [12015454](#) [12020219-B](#) [12020308](#) [12041318-B](#) [12052225-L](#) [12052466](#)
[12059125](#) [12064869](#) [12004327-B](#) [12010503-B](#) [12015308](#) [12015384](#) [12015909](#) [1-21030-1](#) [12041254](#) [12041318](#) [12047946-B](#) [12047957](#)
[12047957-L](#) [12059473](#) [12066261](#) [12110546](#)