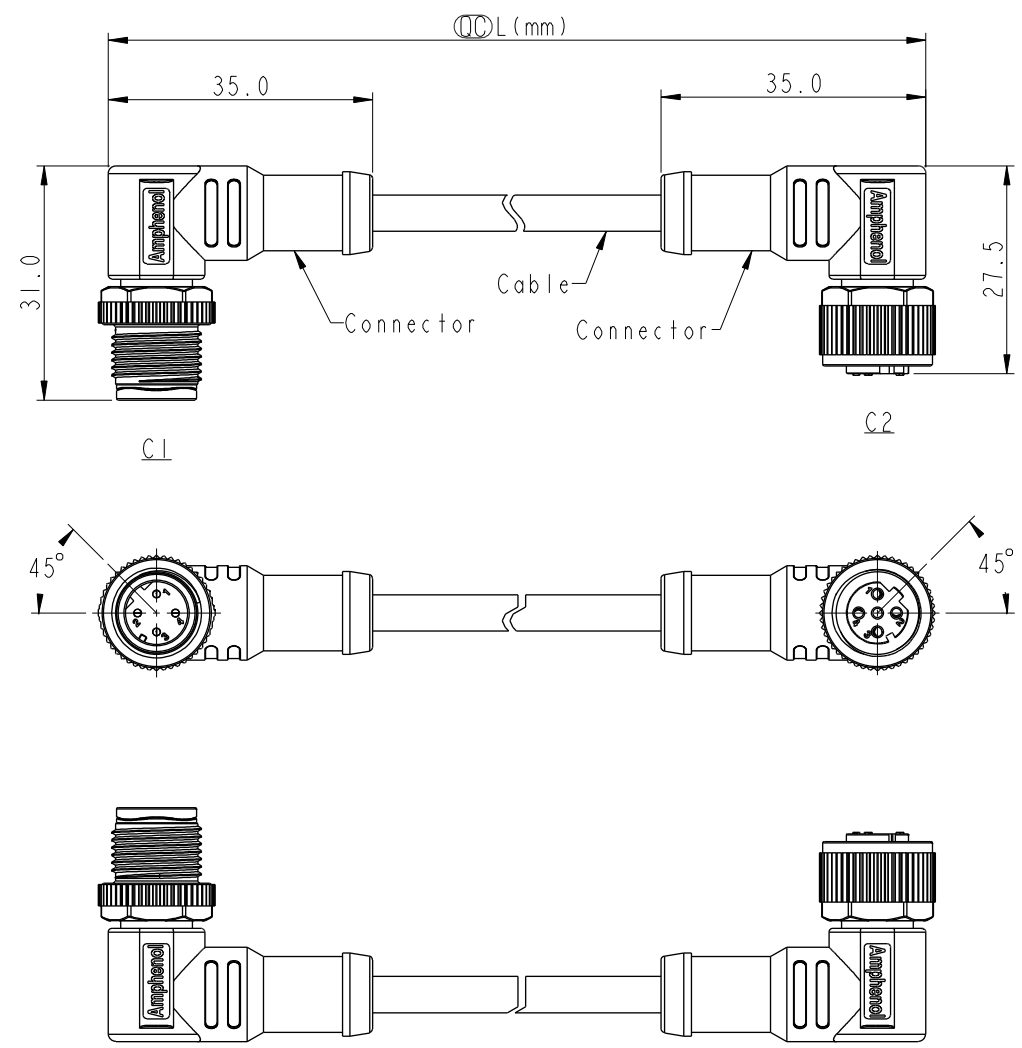


THIS DOCUMENT IS SUBJECT TO CHANGE WITHOUT NOTICE. IT IS CONFIDENTIAL AND A PROPERTY OF Amphenol LTW. DISCLOSURE TO THIRD PARTY HAS TO BE AUTHORIZED BY Amphenol LTW.

REV.	DESCRIPTION



- Notes:
- * \varnothing Important Dimension.
 - * Waterproof Rate: IP68, IP69K
 - * Connector: PU+GF, Black.
 - * Pin: Copper Alloy, Gold Plated.
 - * Screw Nut: Nylon, Black
 - * Outer Mold: PU, Black.
 - * Cable: (B) UL20549, PUR Jacket, Black.
(D) UL2517, PVC Jacket, Black.
 - * Rated Voltage: 4Pin 250V dc. or ac.
 - * Rated Current: 4Pin 4A
 - * Cable Length Tolerance:
 - 0.5±20mm
 - 01±40mm
 - 02M~05M:±60mm
 - 06M~10M:±100mm
 - 11M~30M:±200mm
 - 31M~99M:±500mm

UNIT:mm TOLERANCE ± 0.5 mm	TITLE M12 D-Code Double Ended		<h1 style="text-align: center;">Amphenol LTW</h1> <p style="text-align: center;">安費諾亮泰企業股份有限公司</p>		ITEM NO	DRAWN BY Ruru	DATE 2018-12-12
	SCALE 1:1	SIZE A4			SHEET 1 OF 2	DWG NO MSDPXXMR-SDPFR-SXXXX	CHECKED BY Rita
	REV. A	WC-REV. A.5	QC: Inspection item	CUSTOMER ALTW	APPROVED BY Max	DATE 2018-12-12	

THIS DOCUMENT IS SUBJECT TO CHANGE WITHOUT NOTICE. IT IS CONFIDENTIAL AND A PROPERTY OF Amphenol LTW. DISCLOSURE TO THIRD PARTY HAS TO BE AUTHORIZED BY Amphenol LTW.

4P	PVC	4.8	22	MSDP04MR-SDPFR-SDXXX
4P	PUR	4.0		MSDP04MR-SDPFR-SBXXX
Contacts	Cable Jacket	Cable OD	AWG	Item No.

M SDP XX M R - SDP F R - S X XXX

SDP: D-Code Plastic Nut

04: 4Pin

M: Male Connector(公座)

R: Right(90°線端)

XXX: 0.5~99Meters
 A05: 0.5 Meter
 1: 01Meter
 2: 02Meters
 :
 99: 99Meters

B: PUR UL20549 Cable,Black(PUR黑色外被線材)
 D: PVC UL2517 Cable,Black(PVC黑色外被線材)

S: Screw(螺紋式)

R: Right(90°線端)

F: Female Connector(母座)

SDP: D-Code Plastic Nut

Pin Out	5 -- 4 Black 3 Blue 2 White 1 Brown	黑 藍 白 棕
	Pin # Wire	
C2	<p>4P</p>	
C1	<p>4P</p>	

Pin Assignments Front View

UNIT:mm	
TOLERANCE	± 0.5 mm

TITLE M12 D-Code Double Ended			
SCALE 1:1	SIZE A4	SHEET 2 OF 2	
REV. A	WC-REV. A.5	QC: Inspection item	

Amphenol LTW
 安費諾亮泰企業股份有限公司

ITEM NO	DRAWN BY Ruru	DATE 2018-12-12
DWG NO MSDPXXMR-SDPFR-SXXXX	CHECKED BY Rita	DATE 2018-12-12
CUSTOMER ALTW	APPROVED BY Max	DATE 2018-12-12

X-ON Electronics

Largest Supplier of Electrical and Electronic Components

Click to view similar products for [Sensor Cables / Actuator Cables](#) category:

Click to view products by [Amphenol](#) manufacturer:

Other Similar products are found below :

[60963](#) [60964](#) [703000D02F2002](#) [703001D02F0602](#) [703001D02F300](#) [704000D02F120](#) [773032K02F030](#) [802027107404-1](#) [802027213811-1](#)
[804001A09M150](#) [805001A09M0502](#) [84914-0235](#) [84914-0237](#) [885030A09M020](#) [8R4J30E03C3003](#) [1200651332](#) [1200651713](#) [1200660844](#)
[1200660845](#) [1200661173](#) [1200680071](#) [1200720053](#) [1200720081](#) [1200720099](#) [1200720217](#) [1200800231](#) [1200860125](#) [1200870123](#)
[1200980102](#) [1200650267](#) [1200650298](#) [1200660183](#) [1200660782](#) [1200660849](#) [1200661295](#) [1200661297](#) [1200661342](#) [1200661343](#)
[1200670080](#) [1200670220](#) [1200680331](#) [1200720252](#) [1200730184](#) [1200860344](#) [1200870359](#) [1200870643](#) [1200980008](#) [1200980031](#)
[1210502211](#) [1210400542](#)