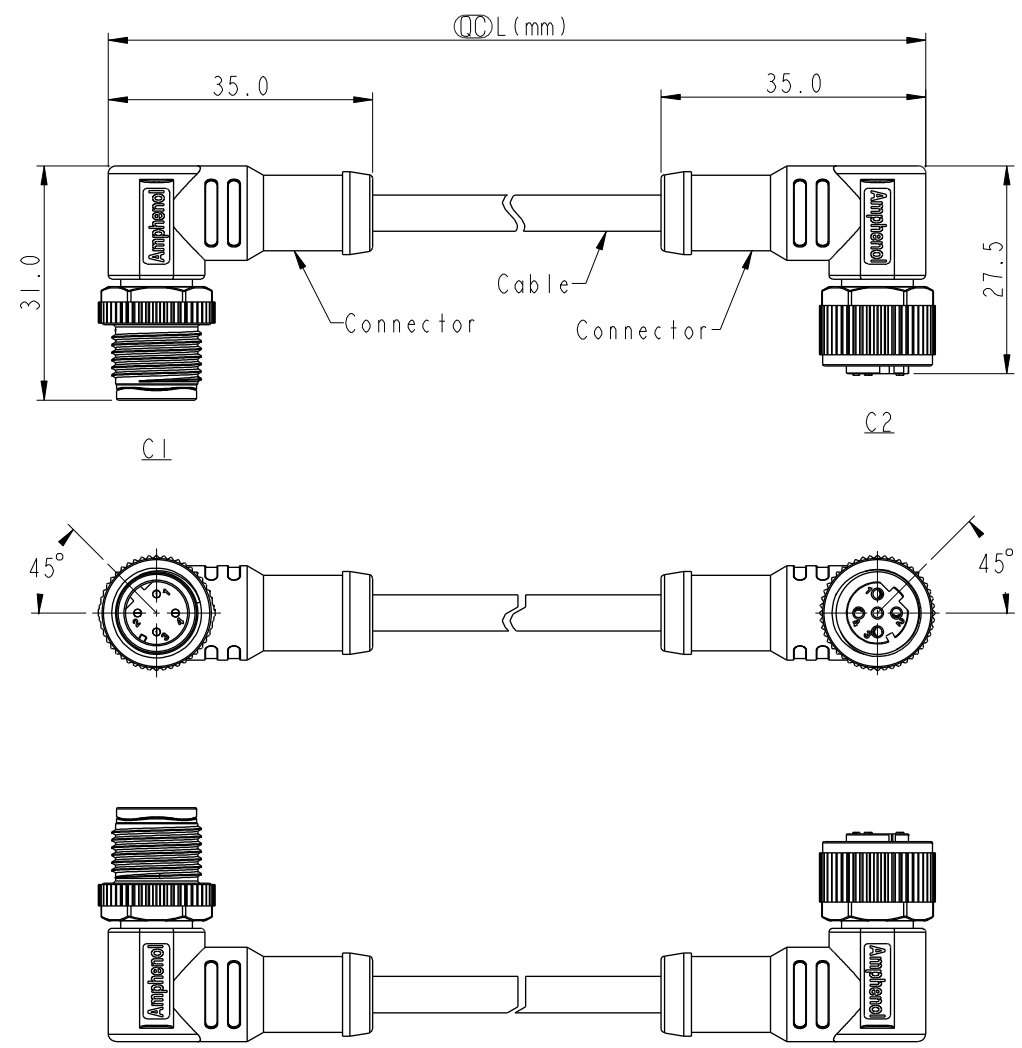


THIS DOCUMENT IS SUBJECT TO CHANGE WITHOUT NOTICE. IT IS CONFIDENTIAL AND A PROPERTY OF Amphenol LTW. DISCLOSURE TO THIRD PARTY HAS TO BE AUTHORIZED BY Amphenol LTW.

REV.	DESCRIPTION



- Notes:
- * \varnothing Important Dimension.
 - * Waterproof Rate: IP68, IP69K
 - * Connector: PU+GF, Black.
 - * Pin: Copper Alloy, Gold Plated.
 - * Screw Nut: Nylon, Black
 - * Outer Mold: PU, Black.
 - * Cable: (B) UL20549, PUR Jacket, Black.
(D) UL2517, PVC Jacket, Black.
 - * Rated Voltage: 4Pin 250V dc. or ac.
 - * Rated Current: 4Pin 4A
 - * Cable Length Tolerance:
 - 0.5±20mm
 - 01±40mm
 - 02M~05M:±60mm
 - 06M~10M:±100mm
 - 11M~30M:±200mm
 - 31M~99M:±500mm

UNIT:mm TOLERANCE ± 0.5 mm	TITLE M12 D-Code Double Ended		<h1 style="text-align: center;">Amphenol LTW</h1> <h2 style="text-align: center;">安費諾亮泰企業股份有限公司</h2>		ITEM NO	DRAWN BY Ruru	DATE 2018-12-12
	SCALE 1:1	SIZE A4			SHEET 1 OF 2	DWG NO MSDPXXMR-SDPFR-SXXXX	CHECKED BY Rita
	REV. A	WC-REV. A.5	\varnothing : Inspection item	CUSTOMER ALTW	APPROVED BY Max	DATE 2018-12-12	

THIS DOCUMENT IS SUBJECT TO CHANGE WITHOUT NOTICE. IT IS CONFIDENTIAL AND A PROPERTY OF Amphenol LTW. DISCLOSURE TO THIRD PARTY HAS TO BE AUTHORIZED BY Amphenol LTW.

4P	PVC	4.8	22	MSDP04MR-SDPFR-SDXXX
4P	PUR	4.0		MSDP04MR-SDPFR-SBXXX
Contacts	Cable Jacket	Cable OD	AWG	Item No.

M SDP XX M R - SDP F R - S X XXX

SDP: D-Code Plastic Nut

04: 4Pin

M: Male Connector(公座)

R: Right(90°線端)

XXX: 0.5~99Meters
 A05: 0.5 Meter
 1: 01Meter
 2: 02Meters
 :
 99: 99Meters

B: PUR UL20549 Cable,Black(PUR黑色外被線材)
 D: PVC UL2517 Cable,Black(PVC黑色外被線材)

S: Screw(螺紋式)

R: Right(90°線端)

F: Female Connector(母座)

SDP: D-Code Plastic Nut

Pin Out	5 -- 4 Black 3 Blue 2 White 1 Brown	黑 藍 白 棕
	Pin # Wire	
C2	<p>4P</p>	
C1	<p>4P</p>	

Pin Assignments Front View

UNIT:mm		
TOLERANCE		
± 0.5 mm		

TITLE M12 D-Code Double Ended			
SCALE 1:1	SIZE A4	SHEET 2 OF 2	
REV. A	WC-REV. A.5	QC: Inspection item	

Amphenol LTW
 安費諾亮泰企業股份有限公司

ITEM NO	DRAWN BY Ruru	DATE 2018-12-12
DWG NO MSDPXXMR-SDPFR-SXXXX	CHECKED BY Rita	DATE 2018-12-12
CUSTOMER ALTW	APPROVED BY Max	DATE 2018-12-12

X-ON Electronics

Largest Supplier of Electrical and Electronic Components

Click to view similar products for [Sensor Cables / Actuator Cables](#) category:

Click to view products by [Amphenol](#) manufacturer:

Other Similar products are found below :

[1300070444](#) [43-10984](#) [M83513/19-F01CP](#) [704000D02F120](#) [MDM15SH001K](#) [MDM25PH003BF222](#) [802027107404-1](#) [885030A09M010](#)
[885030A09M020](#) [1200650174](#) [1200651332](#) [1200651713](#) [1200660171](#) [1200660208](#) [1200660343](#) [1200660804](#) [1200660845](#) [1200660926](#)
[1200660977](#) [1200661173](#) [1200661354](#) [120066-1712](#) [1200720053](#) [1200720099](#) [1200720153](#) [1200720172](#) [1200720217](#) [1200720226](#)
[1200720251](#) [1200720285](#) [1200720296](#) [1200720404](#) [1200720537](#) [1200730148](#) [1200730378](#) [1200800231](#) [1200860112](#) [1200860121](#)
[1200860125](#) [1200860337](#) [1200860365](#) [1200860420](#) [1200870046](#) [1200870123](#) [1200870248](#) [1200980102](#) [1200660181](#) [1200660183](#)
[1200660827](#) [1200660849](#)