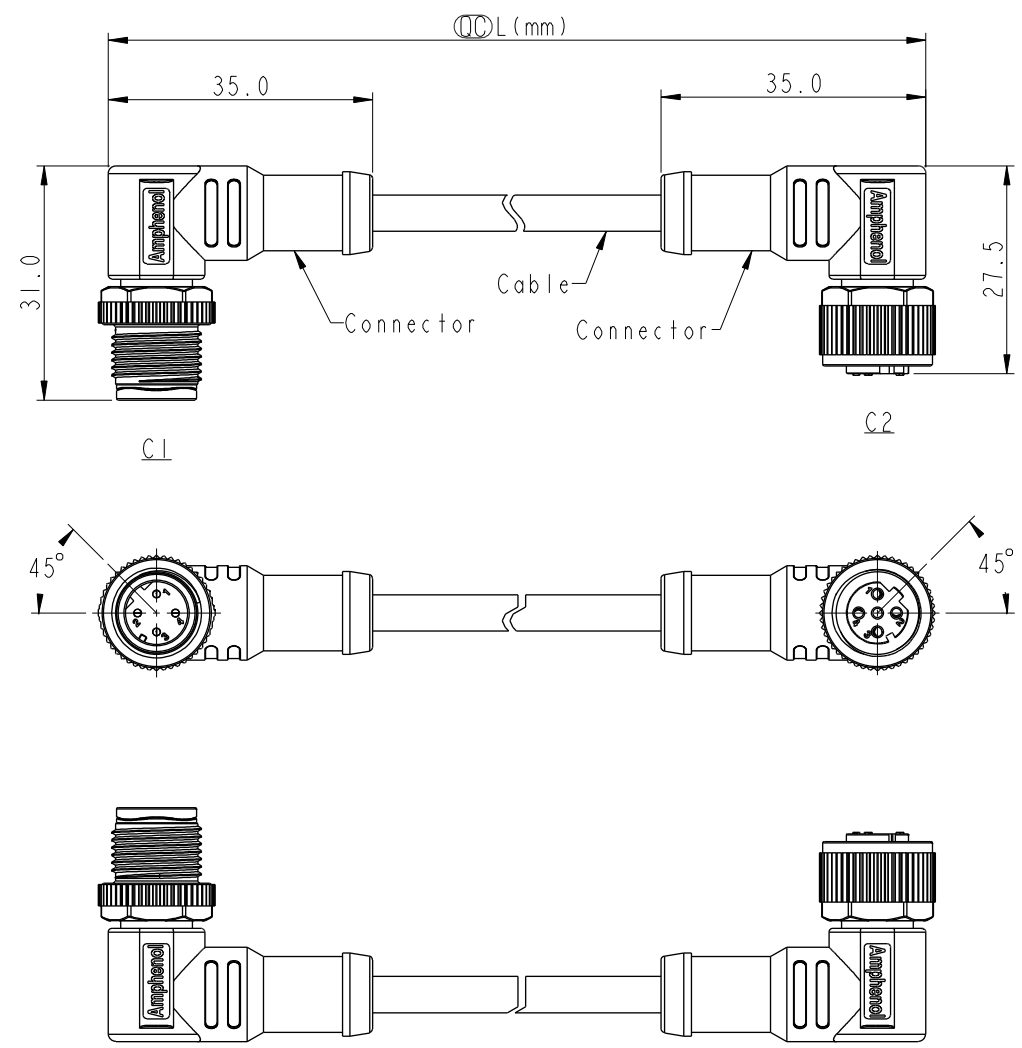


THIS DOCUMENT IS SUBJECT TO CHANGE WITHOUT NOTICE. IT IS CONFIDENTIAL AND A PROPERTY OF Amphenol LTW. DISCLOSURE TO THIRD PARTY HAS TO BE AUTHORIZED BY Amphenol LTW.

REV.	DESCRIPTION



- Notes:
- * \varnothing Important Dimension.
 - * Waterproof Rate: IP68, IP69K
 - * Connector: PU+GF, Black.
 - * Pin: Copper Alloy, Gold Plated.
 - * Screw Nut: Nylon, Black
 - * Outer Mold: PU, Black.
 - * Cable: (B) UL20549, PUR Jacket, Black.
(D) UL2517, PVC Jacket, Black.
 - * Rated Voltage: 4Pin 250V dc. or ac.
 - * Rated Current: 4Pin 4A
 - * Cable Length Tolerance:
 - 0.5±20mm
 - 01±40mm
 - 02M~05M:±60mm
 - 06M~10M:±100mm
 - 11M~30M:±200mm
 - 31M~99M:±500mm

UNIT:mm TOLERANCE ± 0.5 mm	TITLE M12 D-Code Double Ended		<h1 style="text-align: center;">Amphenol LTW</h1> <p style="text-align: center;">安費諾亮泰企業股份有限公司</p>		ITEM NO	DRAWN BY Ruru	DATE 2018-12-12
	SCALE 1:1	SIZE A4			SHEET 1 OF 2	DWG NO MSDPXXMR-SDPFR-SXXXX	CHECKED BY Rita
	REV. A	WC-REV. A.5	QC: Inspection item	CUSTOMER ALTW	APPROVED BY Max	DATE 2018-12-12	

THIS DOCUMENT IS SUBJECT TO CHANGE WITHOUT NOTICE. IT IS CONFIDENTIAL AND A PROPERTY OF Amphenol LTW. DISCLOSURE TO THIRD PARTY HAS TO BE AUTHORIZED BY Amphenol LTW.

4P	PVC	4.8	22	MSDP04MR-SDPFR-SDXXX
4P	PUR	4.0		MSDP04MR-SDPFR-SBXXX
Contacts	Cable Jacket	Cable OD	AWG	Item No.

M SDP XX M R - SDP F R - S X XXX

SDP: D-Code Plastic Nut

04: 4Pin

M: Male Connector(公座)

R: Right(90°線端)

XXX: 0.5~99Meters
 A05: 0.5 Meter
 1: 01Meter
 2: 02Meters
 :
 99: 99Meters

B: PUR UL20549 Cable,Black(PUR黑色外被線材)
 D: PVC UL2517 Cable,Black(PVC黑色外被線材)

S: Screw(螺紋式)

R: Right(90°線端)

F: Female Connector(母座)

SDP: D-Code Plastic Nut

Pin Out	5 -- 4 Black 3 Blue 2 White 1 Brown	黑 藍 白 棕
	Pin # Wire	
C2	<p>4P</p>	
C1	<p>4P</p>	

Pin Assignments Front View

UNIT:mm		
TOLERANCE	± 0.5 mm	

TITLE M12 D-Code Double Ended			
SCALE 1:1	SIZE A4	SHEET 2 OF 2	
REV. A	WC-REV. A.5	QC: Inspection item	

Amphenol LTW
 安費諾亮泰企業股份有限公司

ITEM NO	DRAWN BY	DATE
DWG NO MSDPXXMR-SDPFR-SXXXX	Ruru	2018-12-12
CUSTOMER ALTW	CHECKED BY Rita	DATE 2018-12-12
	APPROVED BY Max	DATE 2018-12-12

X-ON Electronics

Largest Supplier of Electrical and Electronic Components

Click to view similar products for [Specialised Cables category](#):

Click to view products by [Amphenol manufacturer](#):

Other Similar products are found below :

[GP-IE515546DS-002](#) [7810SB-010-1000](#) [96CB-L2020PIB2](#) [1200740161](#) [R88ACAKA0015SRE](#) [R88ACAWL005SDE](#) [R88ACRGD0R3C](#)
[1300660042](#) [1300660201](#) [1971465-2](#) [22733-8](#) [2R7004A20F060](#) [SSL009PC2DC012N](#) [FC2A-KC6C](#) [CCSFCBF2](#) [R7ACAB005S](#)
[XS2WM12PUR4SA10M](#) [XS2WM12PVC4SA10M](#) [05AU05](#) [UCABLE](#) [10114734-2010LF](#) [XW2Z010H3](#) [XW2Z010H1](#) [5-1589827-8](#) [5-](#)
[1589827-4](#) [861084-1](#) [XW2Z200JB24](#) [5-1589956-8](#) [CR4000A76M020](#) [1201140211](#) [1300140039](#) [CR4000A76M005](#) [CR4006A76M005](#)
[10077488-N0550FDLF](#) [XW2ZRY150C](#) [I4JPBJLUXX100](#) [I4JPBJLUXX50](#) [CM06](#) [CM06W](#) [POE004](#) [0243 009 05](#) [0243 009 20](#) [0243 009 36](#)
[0243 009 26](#) [0243 009 33](#) [0243 009 23](#) [0243 009 01](#) [0243 009 30](#) [0243 008 05](#) [0243 008 20](#)