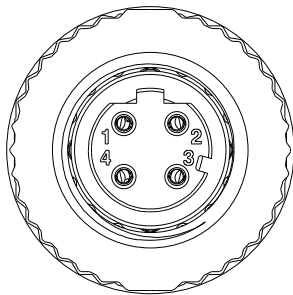
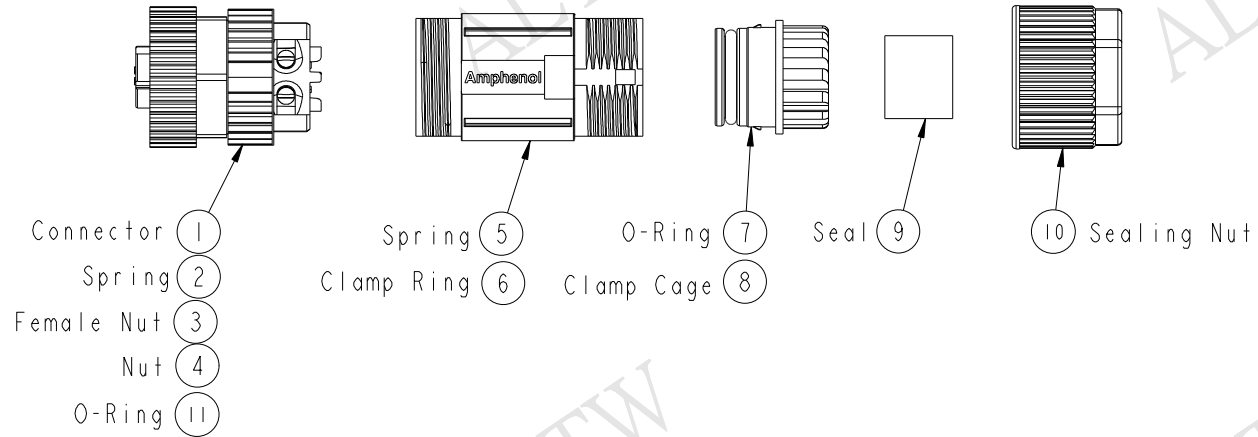


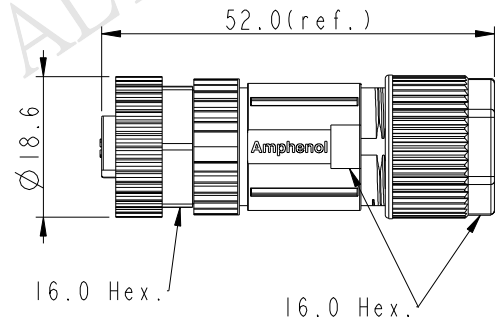
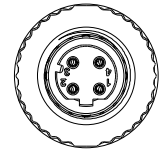
REV.	ECN NO.	DATE	SIGN	DESCRIPTION
A	Initial Release	2015/10/13	Mila	Change Rev.01 To Rev.A

THIS DOCUMENT IS SUBJECT TO CHANGE WITHOUT NOTICE. IT IS CONFIDENTIAL AND A PROPERTY OF AMPHENOL LTW. DISCLOSURE TO THIRD PARTY HAS TO BE AUTHORIZED BY AMPHENOL LTW.

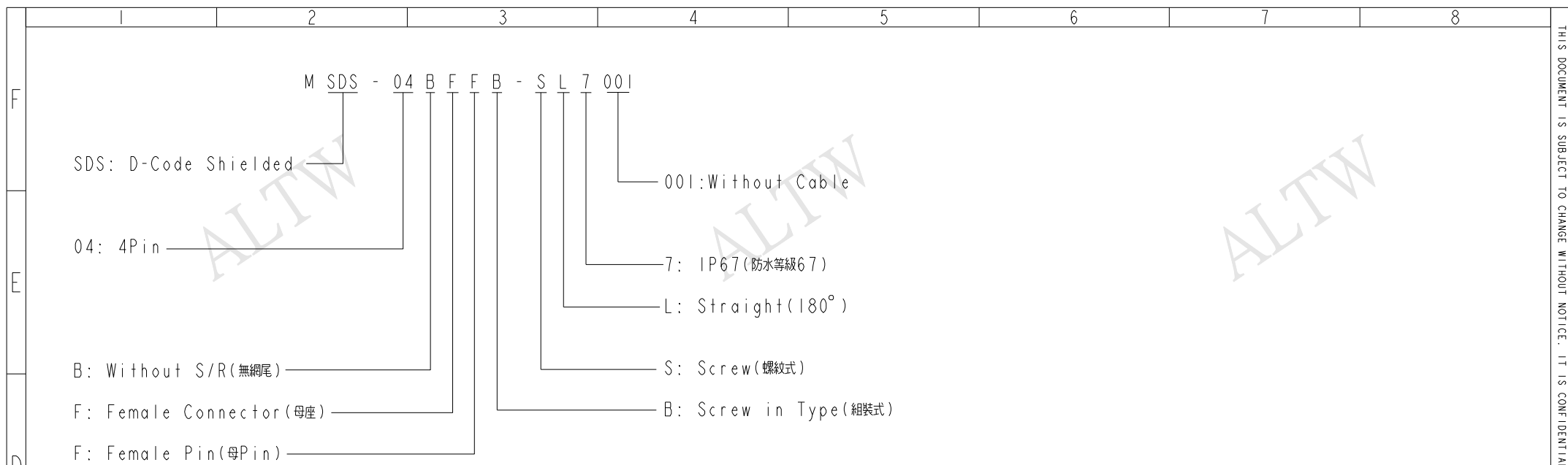
**ALTW**  
**CONFIDENTIAL**  
**2015-10-13**  
**R&D DEPT.**



Pin Assignments  
Front View



UNIT:mm TOLERANCE ±0.5mm	TITLE M12 D-Code Shielded Assy 4PIN F Conn. F Pin		<h1 style="text-align: center;">Amphenol LTW</h1> <p style="text-align: center;">安費諾亮泰企業股份有限公司</p>		ITEM NO MSDS-04BFFB-SL7001	DRAWN BY Mila	DATE 2015-10-13
	SCALE 1:1	SIZE A4			SHEET 1 OF 2	DWG NO MSDS-04BFFB-SL7001	CHECKED BY Cary
	REV. A	WC-REV. A.2	QC: Inspection item	CUSTOMER ALTW	APPROVED BY Jerry	DATE 2015-10-13	



Note:

- \* Important Dimension To Check.
- \* Waterproof Rate: IP67
- \* Housing: Nylon,Black
- \* Clamp Cage: Nylon,Black
- \* Pin: Copper Alloy, Gold Plated
- \* Female Nut: Zinc Alloy, Nickel Plated
- \* Nut: Zinc Alloy, Nickel Plated
- \* O-Ring: Silicon,Grey
- \* Clamp Ring: Zinc Alloy, Nickel Plated
- \* Sealing Nut: Zinc Alloy, Nickel Plated
- \* Seal: Silicon,Grey
- \* Seal For Cable OD:  $\varnothing 4.0\text{mm} \sim \varnothing 7.5\text{mm}$
- \* Screws for Wire connection recommended  
tightening torque: 0.61~0.84 kgf.cm / 0.059~0.082 N.m
- \* Applicable Wire gauge (Stranded wire cross section)  
0.14mm<sup>2</sup> (26AWG) ~ 0.82mm<sup>2</sup> (18AWG)
- \* Mating Recommended tightening torque:  
3~4 kgf.cm / 0.29~0.39 N.m
- \* Sealing-Nut Recommended tightening torque:  
4~6 kgf.cm / 0.39~0.59 N.m
- \* Detailed applicable wire specifications may vary  
depending on the actual wire construction.

A	UNIT:mm		TITLE M12 D-Code Shielded Assy 4PIN F Conn. F Pin				Amphenol LTW		ITEM NO MSDS-04BFFB-SL7001	DRAWN BY Mila	DATE 2015-10-13
	TOLERANCE $\pm 0.5\text{mm}$		SCALE 1:1	SIZE A4	SHEET 2 OF 2		安費諾亮泰企業股份有限公司		DWG NO MSDS-04BFFB-SL7001	CHECKED BY Cary	DATE 2015-10-13
	REV. A	WC-REV. A.2	Inspection item		CUSTOMER ALTW		APPROVED BY Jerry		DATE 2015-10-13		

## X-ON Electronics

Largest Supplier of Electrical and Electronic Components

*Click to view similar products for [Sensor Cables / Actuator Cables](#) category:*

*Click to view products by [Amphenol](#) manufacturer:*

Other Similar products are found below :

[60963](#) [60964](#) [703000D02F2002](#) [703001D02F0602](#) [703001D02F300](#) [704000D02F120](#) [773032K02F030](#) [802027107404-1](#) [802027213811-1](#)  
[804001A09M150](#) [805001A09M0502](#) [84914-0235](#) [84914-0237](#) [885030A09M020](#) [8R4J30E03C3003](#) [1200651332](#) [1200651713](#) [1200660844](#)  
[1200660845](#) [1200661173](#) [1200680071](#) [1200720053](#) [1200720081](#) [1200720099](#) [1200720217](#) [1200800231](#) [1200860125](#) [1200870123](#)  
[1200980102](#) [1200650267](#) [1200650298](#) [1200660183](#) [1200660782](#) [1200660849](#) [1200661295](#) [1200661297](#) [1200661342](#) [1200661343](#)  
[1200670080](#) [1200670220](#) [1200680331](#) [1200720252](#) [1200730184](#) [1200860344](#) [1200870359](#) [1200870643](#) [1200980008](#) [1200980031](#)  
[1210502211](#) [1210400542](#)