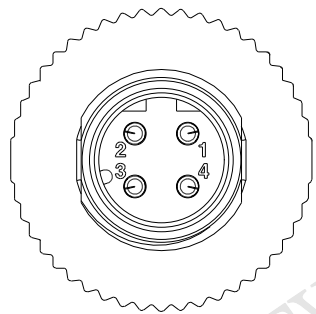
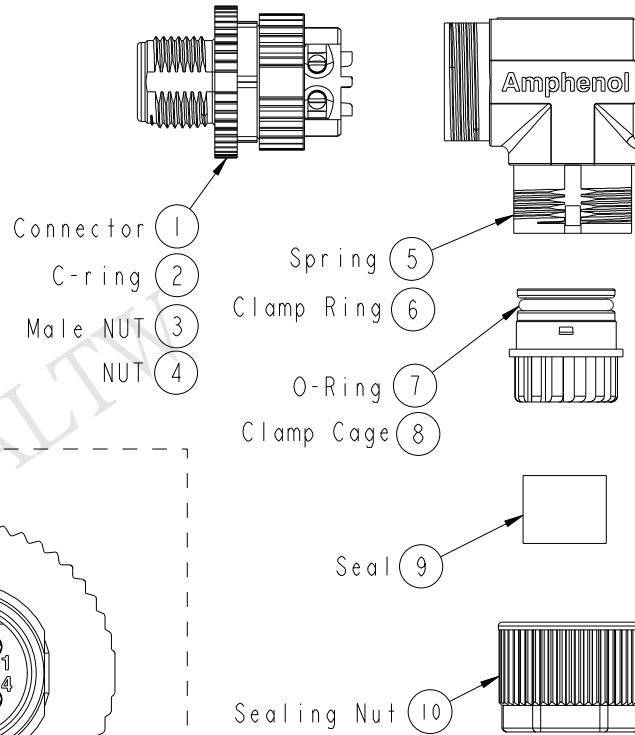


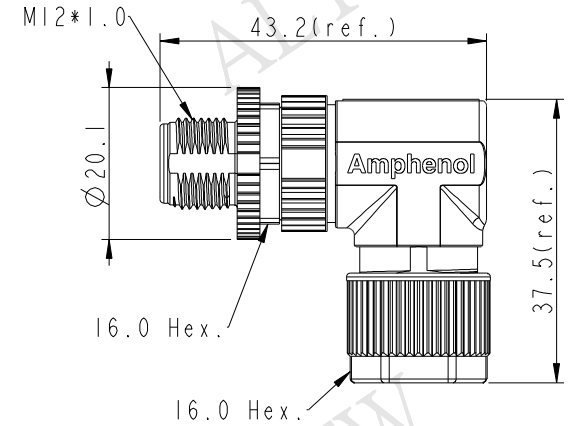
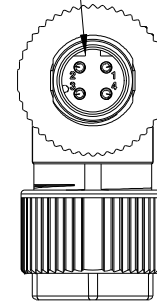
ALTW
CONFIDENTIAL
 2015-10-14
 R&D DEPT.

REV.	ECN NO.	DATE	SIGN	DESCRIPTION
A	Initial Release	2015/10/14	Mila	Change Rev. I To Rev.A

360° Adjustable Key Code Direction



Pin Assignments
 Front View



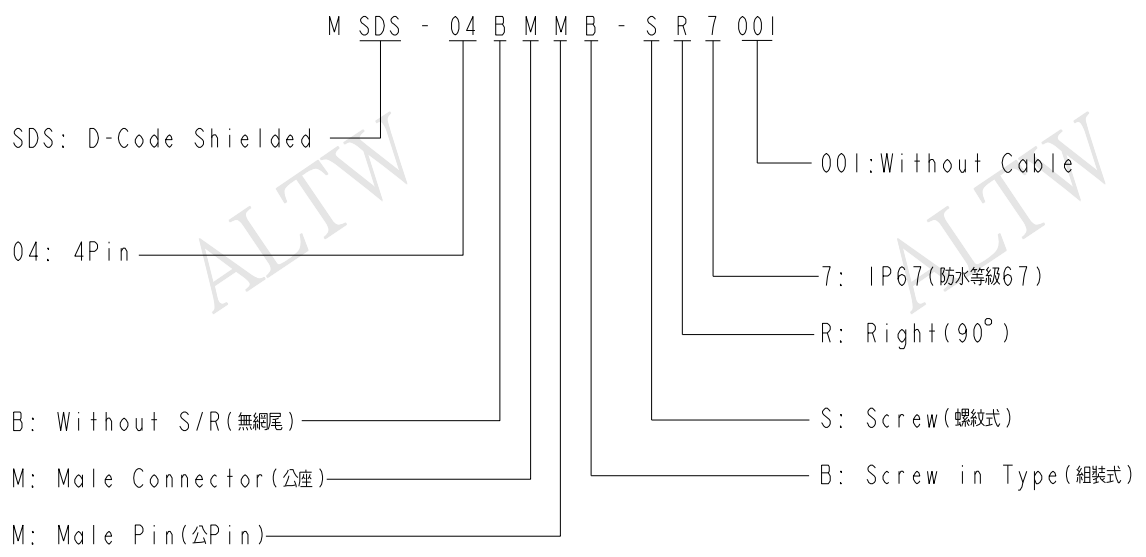
UNIT:mm		
TOLERANCE		
±0.5mm		

TITLE M12 D-Code 90° Shielded Assy 4Pin M Conn. M Pin			
SCALE 1:1	SIZE A4	SHEET 1 OF 2	
REV. A	WC-REV. A.1	QC: Inspection item	

Amphenol LTW
 安費諾亮泰企業股份有限公司

ITEM NO MSDS-04BMMB-SR7001	DRAWN BY Mila	DATE 2015-10-14
DWG NO MSDS-04BMMB-SR7001	CHECKED BY Cary	DATE 2015-10-14
CUSTOMER ALTW	APPROVED BY Jerry	DATE 2015-10-14

THIS DOCUMENT IS SUBJECT TO CHANGE WITHOUT NOTICE. IT IS CONFIDENTIAL AND A PROPERTY OF Amphenol LTW. DISCLOSURE TO THIRD PARTY HAS TO BE AUTHORIZED BY Amphenol LTW.



- Note:
- * $\text{\textcircled{QC}}$ Important Dimension To Check.
 - * Waterproof Rate: IP67(Mated)
 - * Housing: Nylon, Black
 - * Clamp Cage: Nylon, Black
 - * Male Pin: Copper Alloy, Gold Plated
 - * Male Nut: Zinc Alloy, Nickel Plated
 - * Nut: Zinc Alloy, Nickel Plated
 - * O-Ring: Silicon, Gray
 - * Clamp Ring: Zinc Alloy, Nickel Plated
 - * Sealing Nut: Zinc Alloy, Nickel Plated
 - * Seal: Silicon, Gray
 - * Seal For Cable OD: $\varnothing 4.0\text{mm} \sim \varnothing 7.0\text{mm}$
 - * Screws for Wire connection recommended tightening torque: 0.61~0.84 kgf.cm / 0.059~0.082 N.m
 - * Applicable Wire gauge (Stranded wire cross section) 0.14mm² (26AWG) ~ 0.82mm² (18AWG)
 - * Mating Recommended tightening torque: 3~4 kgf.cm / 0.29~0.39 N.m
 - * Sealing-Nut Recommended tightening torque: 4~6 kgf.cm / 0.39~0.59 N.m
 - * Detailed applicable wire specifications may vary depending on the actual wire construction.

A	UNIT:mm		TITLE M12 D-Code 90° Shielded Assy 4Pin M Conn. M Pin			<h2 style="text-align: center;">Amphenol LTW</h2> <p style="text-align: center;">安費諾亮泰企業股份有限公司</p>	ITEM NO	MSDS-04BMMB-SR7001	DRAWN BY	Mila	DATE	2015-10-14					
	TOLERANCE	$\pm 0.5\text{mm}$	SCALE	1:1	SIZE		A4	SHEET	2	OF	2	DWG NO	MSDS-04BMMB-SR7001	CHECKED BY	Cary	DATE	2015-10-14
			REV.	A	WC-REV.		A.1	$\text{\textcircled{QC}}$: Inspection item	CUSTOMER	ALTW	APPROVED BY	Jerry	DATE	2015-10-14			
																8	FMM10702-01-02A1

X-ON Electronics

Largest Supplier of Electrical and Electronic Components

Click to view similar products for [Sensor Cables / Actuator Cables](#) category:

Click to view products by [Amphenol](#) manufacturer:

Other Similar products are found below :

[1300070444](#) [43-10984](#) [M83513/19-F01CP](#) [704000D02F120](#) [MDM15SH001K](#) [MDM25PH003BF222](#) [802027107404-1](#) [885030A09M010](#)
[885030A09M020](#) [1200650174](#) [1200651332](#) [1200651713](#) [1200660171](#) [1200660208](#) [1200660343](#) [1200660804](#) [1200660845](#) [1200660926](#)
[1200660977](#) [1200661173](#) [1200661354](#) [120066-1712](#) [1200720053](#) [1200720099](#) [1200720153](#) [1200720172](#) [1200720217](#) [1200720226](#)
[1200720251](#) [1200720285](#) [1200720296](#) [1200720404](#) [1200730148](#) [1200730378](#) [1200800231](#) [1200860112](#) [1200860121](#) [1200860125](#)
[1200860337](#) [1200860365](#) [1200860420](#) [1200870046](#) [1200870248](#) [1200980102](#) [1200660181](#) [1200660183](#) [1200660827](#) [1200660849](#)
[1200661170](#) [1200661295](#)