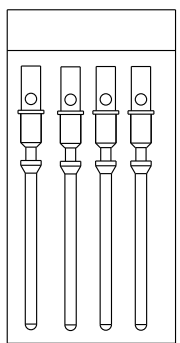
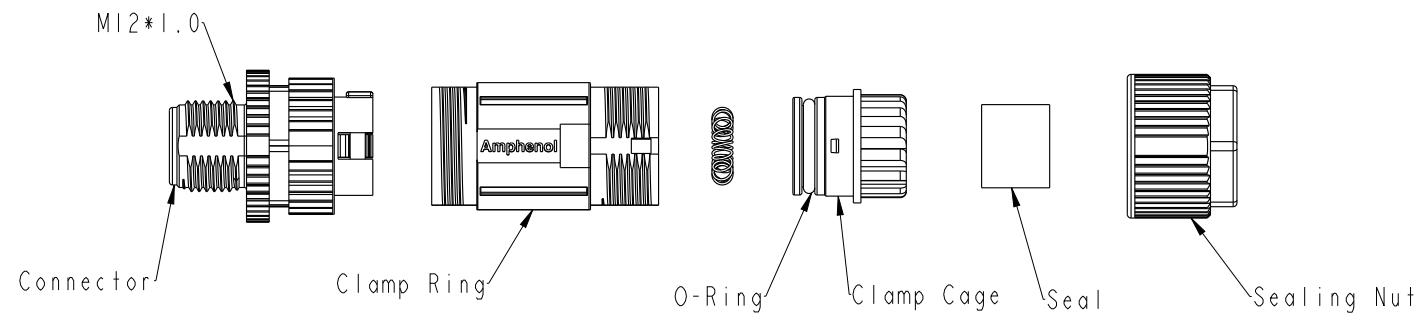
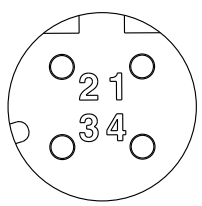


THIS DOCUMENT IS SUBJECT TO CHANGE WITHOUT NOTICE. IT IS CONFIDENTIAL AND A PROPERTY OF Amphenol LTW. DISCLOSURE TO THIRD PARTY HAS TO BE AUTHORIZED BY Amphenol LTW.

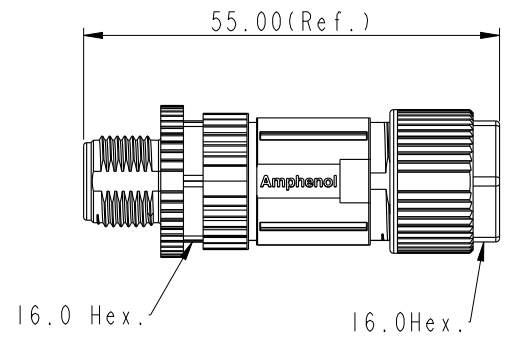
REV.	DESCRIPTION
A	Initial Release



PE Bag



Pin Assignments
Front View



ALTW
CONFIDENTIAL
2019-06-18
R&D DEPT.

UNIT:mm		
TOLERANCE	±0.25	
.X	±0.1	
.XX	±0.05	
.XXX	±1°	
ANGLES		

TITLE M12 Shielded Assy 4PIN M Conn. M Pin			
SCALE Free	SIZE A4	SHEET 1 OF 2	
REV. A	WC-REV. .0	☉: Inspection item	

Amphenol LTW
安費諾亮泰企業股份有限公司

ITEM NO MSDS-04BMMC-SL7001	DRAWN BY Xiaofeng	DATE 2019/06/18
DWG NO MSDS-04BMMC-SL7001	CHECKED BY Li-Feng	DATE 2019/06/18
CUSTOMER ALTW	APPROVED BY Jerry	DATE 2019/06/18

THIS DOCUMENT IS SUBJECT TO CHANGE WITHOUT NOTICE. IT IS CONFIDENTIAL AND A PROPERTY OF Amphenol LTW. DISCLOSURE TO THIRD PARTY HAS TO BE AUTHORIZED BY Amphenol LTW.


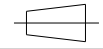
REV.	ECN NO.	DATE	SIGN	DESCRIPTION

M SDS - XX B M M C - S L 7 001

SDS: D-Code Shielded
 04: 4Pin
 B: Without S/R (無網尾)
 M: Male Connector (公座)
 M: Male Pin (公Pin)
 001: Without Cable
 7: IP67 (防水等級67)
 L: Straight (180°)
 S: Screw (螺紋式)
 C: Screw in Type (組裝式)

Note:

- * IP: IP67.
- * Housing: Nylon, Black.
- * Clamp Cage: Metal
- * Male Pin: Copper Alloy, Gold Plated.
- * O-Ring: Silicone, Grey.
- * Clamp Ring: Zinc Alloy, Nickel Plated.
- * Sealing Nut: Zinc Alloy, Nickel Plated.
- * Seal For Cable OD: $\varnothing 4.0\text{mm} \sim \varnothing 7.5\text{mm}$
- * Applicable Wire gauge (Stranded wire cross section) 20AWG-24AWG
- * Mating Recommended tightening torque: 3~4 kgf.cm / 0.29~0.39 N.m
- * Sealing-Nut Recommended tightening torque: 4~6 kgf.cm / 0.39~0.59 N.m
- * Detailed applicable wire specifications may vary depending on the actual wire construction.

UNIT: mm		
TOLERANCE		
.X	±0.25	
.XX	±0.1	
.XXX	±0.05	
ANGLES	±1°	

TITLE M12 Shielded Assy 4PIN M Conn. M Pin			
SCALE 1:1	SIZE A4	SHEET 2 OF 2	
REV. A	WC-REV. .0	QC: Inspection item	

Amphenol LTW
安費諾亮泰企業股份有限公司

ITEM NO. MSDS-04BMCC-SL7001	DRAWN BY Xiaofeng	DATE 2019/06/18
DWG NO. MSDS-04BMCC-SL7001	CHECKED BY Feng-Li	DATE 2019/06/18
CUSTOMER ALTW	APPROVED BY Jerry	DATE 2019/06/18

X-ON Electronics

Largest Supplier of Electrical and Electronic Components

Click to view similar products for [Circular Metric Connectors](#) category:

Click to view products by [Amphenol](#) manufacturer:

Other Similar products are found below :

[600X518037X](#) [6STD15PCR99B70A](#) [8R4000A16M020](#) [8R5000A16M005](#) [1200910002](#) [1203580030](#) [1200910008](#) [1200910011](#) [1300140094](#)
[130203-0054](#) [1300140026](#) [1300150099](#) [1-3637-600-5205](#) [1612618](#) [21036836414](#) [8R4006A16M010](#) [1R3006A20M005](#) [41-40011](#) [42-00006](#)
[42-01015](#) [4-22279-4](#) [4-22281-1](#) [4-22284-9](#) [43-00113](#) [43-01203](#) [41-40013](#) [42-00008](#) [43-00343](#) [43-01026](#) [43-01162](#) [43-01173](#) [43-10000](#)
[XS3P-M421-2](#) [600X518050X](#) [8R5006A16M020](#) [8R5006A16M005](#) [8R4000A16M010](#) [6-22279-3](#) [1605332](#) [N03FA03144](#) [1300140077](#) [43-](#)
[16213](#) [43-01338](#) [XS2RD4265](#) [XS2R-D426-1](#) [XS8A-0441](#) [859RD04-103R004](#) [860RD04-113R004](#) [860RD04-213R004](#) [1-213245-2](#)