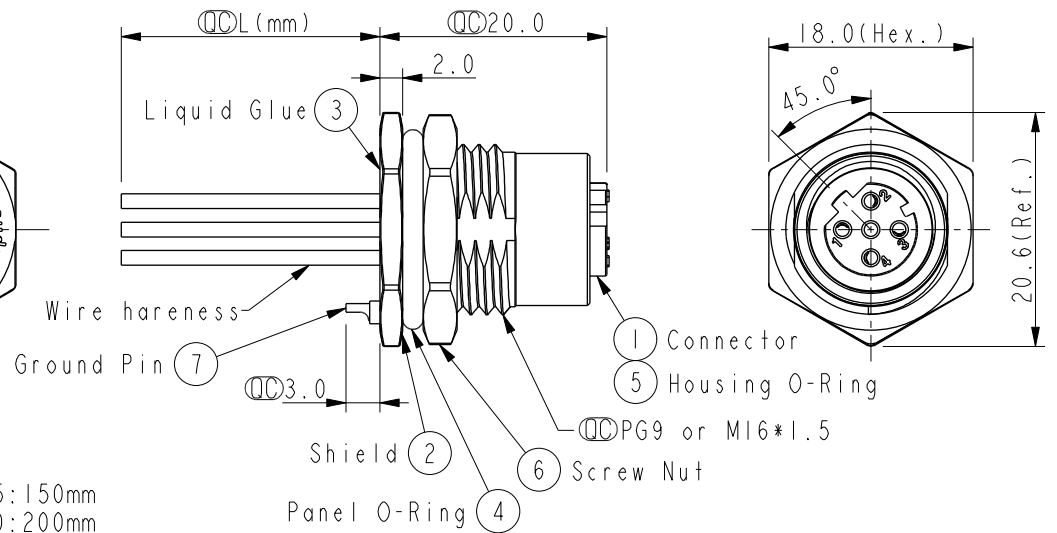
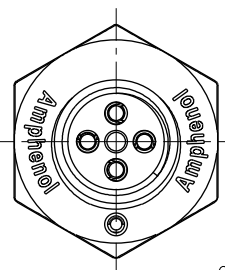
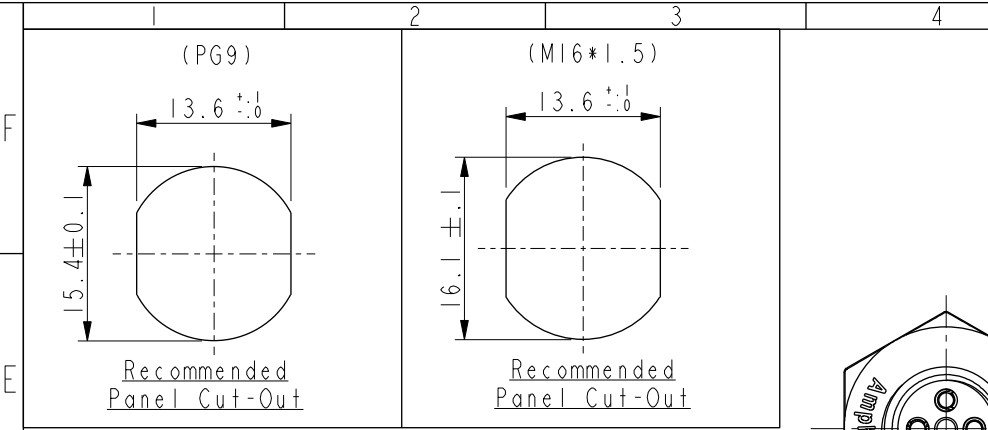


THIS DOCUMENT IS SUBJECT TO CHANGE WITHOUT NOTICE. IT IS CONFIDENTIAL AND A PROPERTY OF Amphenol LTW. DISCLOSURE TO THIRD PARTY HAS TO BE AUTHORIZED BY Amphenol LTW.

REV.	ECN NO.	DATE	SIGN	DESCRIPTION
A		2019/03/08	Allen Pan	
B	CI91682	2019/09/24	Vicky	Update Wire Tolerance



ALTW
CONFIDENTIAL
 2019-09-24
R&D DEPT.

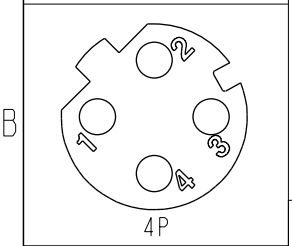
M SDS - 04 P F F C - S F 8 X XX \triangle B

12D: D-Code
 Shielded
 04: 4Pin
 P: Panel (板端)
 F: Female Connector (母座)
 F: Female Pin (母Pin)
 C: Crimp Type (打端式)
 S: Screw (螺紋式)

15: 150mm
 20: 200mm
 95: 950mm
 Cable Pitch Unit: 50mm
 A0: 1000mm
 A5: 1500mm
 Cable Pitch Unit: 100mm
 Wire Length (L): 150~1500mm
 B: PG9
 C: M16*1.5
 8: IP68 (防水等級68)
 F: Front Fasten (前鎖式/Enclosure Rear Mount)

- Note:
- * \varnothing Important Dimension.
 - * Waterproof Rate: IP68.
 - * Housing: Nylon+GF, Black.
 - * Female Pin: Copper Alloy, Gold Plated.
 - * Shield: Zinc Alloy, Nickel Plated.
 - * Screw Nut: Zinc Alloy, Nickel Plated.
 - * Panel O-Ring: Viton, Black.
 - * Housing O-Ring: Viton, Green.
 - * Wire harness: UL1061
 - * Rated Voltage: 250V dc. or ac.
 - * Rated Current: 4A
 - * Operating Temperature: -25~85°C
 - * For Panel Thickness Max 4.5mm.
 - * Recommended Nut Torque: 4-6 Kgf.cm.
 - * Wire harness Tolerance: 150~300 ±15mm
 301~1000 ±20mm
 \triangle Over1000 +50/-0mm

4	Black	黑
3	Blue	藍
2	White	白
1	Brown	棕
Pin #	Wire	
Pin Out		



4P	UL1061	22	MSDS-04PFFC-SF8BXX
Contacts	Wire harness	AWG	Item No.
			MSDS-04PFFC-SF8CXX

UNIT: mm		TITLE M12 D-Code Female Conn. Panel Front With Wire harness Shielded	
TOLERANCE		SCALE	SIZE
.X ±0.25		3:2	A4
.XX ±0.1		REV.	WC-REV.
.XXX ±0.05		B	A.1
ANGLES ±1°		\varnothing : Inspection item	

Amphenol LTW
安費諾亮泰企業股份有限公司

ITEM NO.	DRAWN BY	DATE
	Vicky	2019-09-24
DWG NO.	CHECKED BY	DATE
MSDS-04PFFC-SF8XXX	Rita	2019-09-24
CUSTOMER	APPROVED BY	DATE
ALTW	Max	2019-09-24

X-ON Electronics

Largest Supplier of Electrical and Electronic Components

Click to view similar products for [Sensor Cables / Actuator Cables](#) category:

Click to view products by [Amphenol](#) manufacturer:

Other Similar products are found below :

[60963](#) [60964](#) [M83513/19-F01CP](#) [703000D02F2002](#) [703001D02F0602](#) [703001D02F300](#) [704000D02F120](#) [773032K02F030](#) [802027107404-1](#)
[802027213811-1](#) [804001A09M150](#) [805001A09M0502](#) [84914-0235](#) [84914-0237](#) [885030A09M020](#) [8R4J30E03C3003](#) [1200651332](#)
[1200651713](#) [1200660844](#) [1200660845](#) [1200661173](#) [1200680071](#) [1200720053](#) [1200720081](#) [1200720099](#) [1200720217](#) [1200800231](#)
[1200860125](#) [1200870123](#) [1200980102](#) [1200650267](#) [1200650298](#) [1200660183](#) [1200660782](#) [1200660849](#) [1200661295](#) [1200661297](#)
[1200661342](#) [1200661343](#) [1200670080](#) [1200670220](#) [1200680331](#) [1200720252](#) [1200730184](#) [1200860344](#) [1200870359](#) [1200870643](#)
[1200980008](#) [1200980031](#) [1210502211](#)