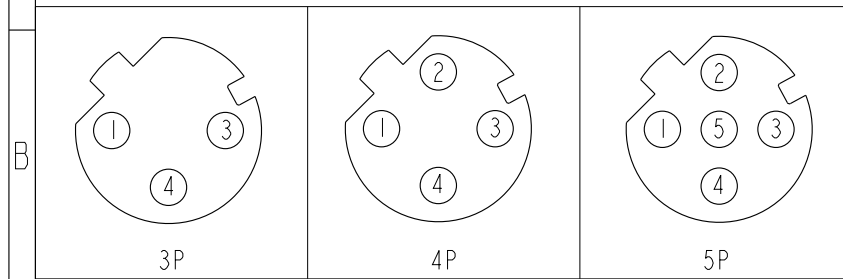
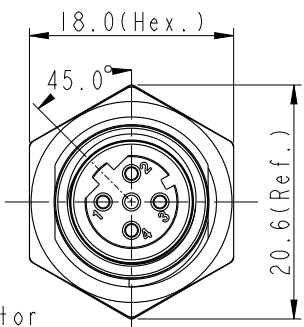
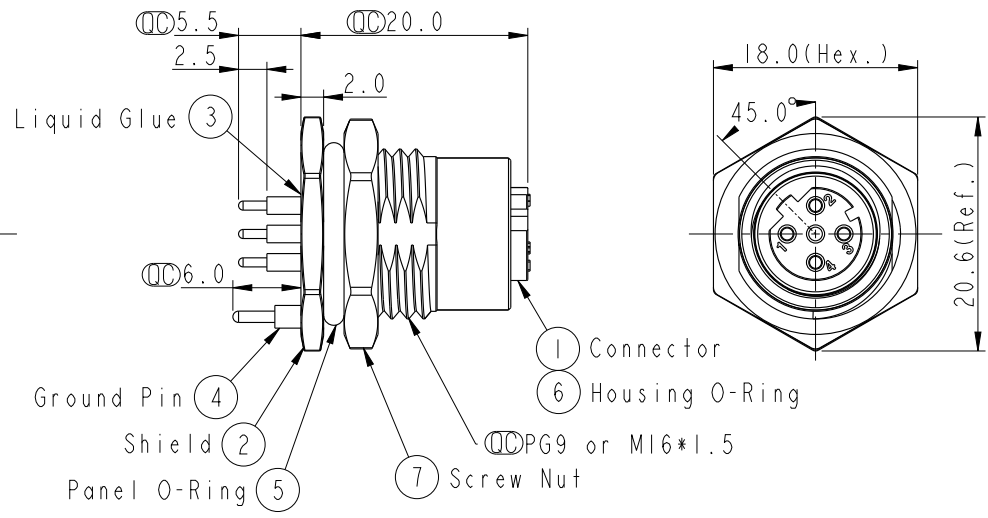
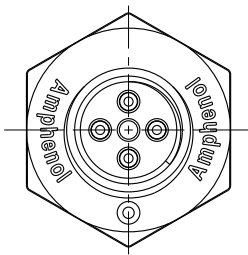
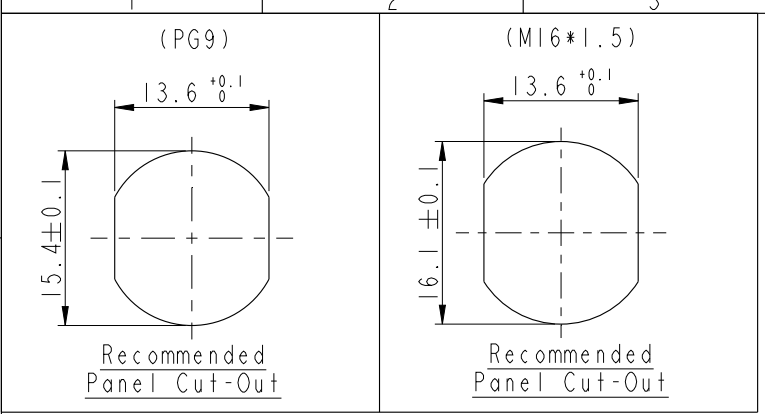
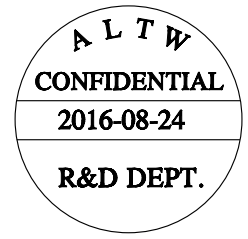


THIS DOCUMENT IS SUBJECT TO CHANGE WITHOUT NOTICE. IT IS CONFIDENTIAL AND A PROPERTY OF Amphenol LTW. DISCLOSURE TO THIRD PARTY HAS TO BE AUTHORIZED BY Amphenol LTW.

REV.	ECN NO.	DATE	SIGN	DESCRIPTION
B	LEN1580023-024	2015/07/24	Yulong_wang	Change to Share Drawing.
C	LEN1690153-154	2016/08/24	Yulong_wang	Add 3, 5 Pin & IP69K.



Pin Assignment Front View



- Note:
- * \varnothing Important Dimension.
 - * Waterproof Rate: IP68, IP69K.
 - * Housing: Nylon+GF, Black.
 - * Female Pin: Copper Alloy, Gold Plated.
 - * Shield: Zinc Alloy, Nickel Plated.
 - * Ground Pin: Copper Alloy, Gold Plated.
 - * Screw Nut: Zinc Alloy, Nickel Plated.
 - * Panel O-Ring: Viton, Black.
 - * Housing O-Ring: Viton, Green.
 - * Rated Voltage: 3 & 4Pin 250V dc. or ac.
5Pin 60V dc. or ac.
 - * Rated Current: 4A
 - * Operating Temperature: -40~+105°C
 - * For Panel Thickness Max 4.5mm.
 - * Recommended Nut Torque: 4-6 Kgf.cm.

UNIT: mm		TITLE	M12 D-Code Female Conn. PCB Type Shielded		
TOLERANCE		SCALE	SIZE	SHEET	OF
.X ±0.25		3:2	A4	1	2
.XX ±0.1		REV.	WC-REV.	\varnothing : Inspection item	
.XXX ±0.05		C	A.5		
ANGLES ±1°					

Amphenol LTW 安費諾亮泰企業股份有限公司		ITEM NO	DRAWN BY	DATE
		DWG NO	Yulong_wang	2016-08-24
		CUSTOMER	CHECKED BY	DATE
		ALTW	Jinhai	2016-08-24
			APPROVED BY	DATE
			Jerry	2016-08-24

THIS DOCUMENT IS SUBJECT TO CHANGE WITHOUT NOTICE. IT IS CONFIDENTIAL AND A PROPERTY OF Amphenol LTW. DISCLOSURE TO THIRD PARTY HAS TO BE AUTHORIZED BY Amphenol LTW.

1 2 3 4 5 6 7 8

F
E
D
C
B
A

M SDS - XX P F F P - S F 8 XXX

SDS: D-Code Shielded

03: 3Pin
04: 4Pin
05: 5Pin

P: Panel (板端)

F: Female Connector (母座)

F: Female Pin (母Pin)

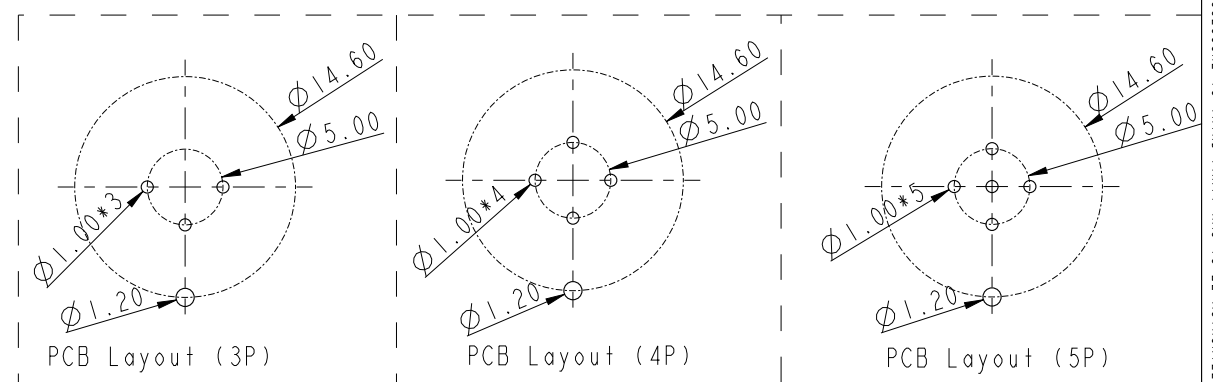
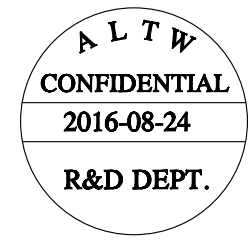
001: PG9
002: M16*1.5

8: IP68/69K (防水等級68/69K)

F: Front Fasten (前鎖式/Enclosure Rear Mount)

S: Screw (螺紋式)

P: PCB THT/DIP Type (180° 基板插件式)



UNIT: mm		
TOLERANCE	.X	±0.25
	.XX	±0.1
	.XXX	±0.05
ANGLES		±1°

TITLE M12 D-Code Female Conn. PCB Type Shielded			
SCALE	3:2	SIZE	A4
SHEET	2	OF	2
REV.	C	WC-REV.	A.3
: Inspection item			

Amphenol LTW
安費諾亮泰企業股份有限公司

ITEM NO	
DWG NO	MSDS-XXPFFP-SF8XXX
CUSTOMER	ALTW

DRAWN BY	Yulong_wang
CHECKED BY	Jinhai
APPROVED BY	Jerry

DATE	2016-08-24
DATE	2016-08-24
DATE	2016-08-24

2 3 4 5 6 7 8 FMW10702-01-02A1

X-ON Electronics

Largest Supplier of Electrical and Electronic Components

Click to view similar products for [Sensor Cables / Actuator Cables](#) category:

Click to view products by [Amphenol](#) manufacturer:

Other Similar products are found below :

[60963](#) [60964](#) [703000D02F2002](#) [703001D02F0602](#) [703001D02F300](#) [704000D02F120](#) [773032K02F030](#) [802027107404-1](#) [802027213811-1](#)
[804001A09M150](#) [805001A09M0502](#) [84914-0235](#) [84914-0237](#) [885030A09M020](#) [8R4J30E03C3003](#) [1200651332](#) [1200651713](#) [1200660844](#)
[1200660845](#) [1200661173](#) [1200680071](#) [1200720053](#) [1200720081](#) [1200720099](#) [1200720217](#) [1200800231](#) [1200860125](#) [1200870123](#)
[1200980102](#) [1200650267](#) [1200650298](#) [1200660183](#) [1200660782](#) [1200660849](#) [1200661295](#) [1200661297](#) [1200661342](#) [1200661343](#)
[1200670080](#) [1200670220](#) [1200680331](#) [1200720252](#) [1200730184](#) [1200860344](#) [1200870359](#) [1200870643](#) [1200980008](#) [1200980031](#)
[1210502211](#) [1210400542](#)