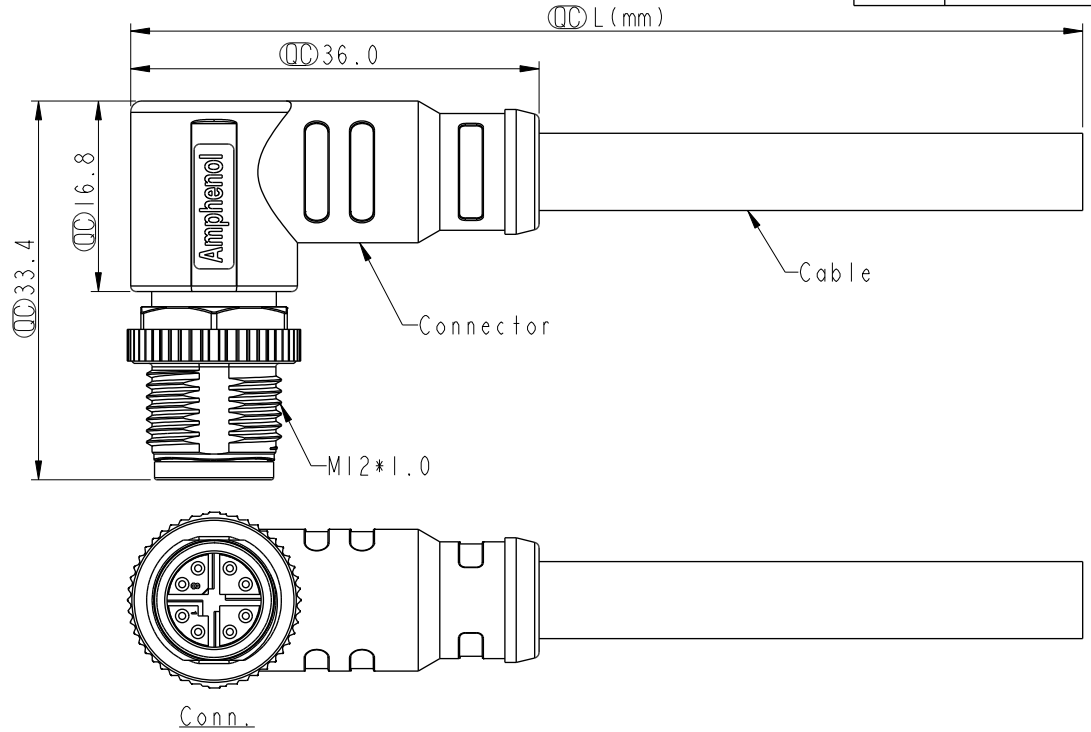


THIS DOCUMENT IS SUBJECT TO CHANGE WITHOUT NOTICE. IT IS CONFIDENTIAL AND A PROPERTY OF Amphenol LTW. DISCLOSURE TO THIRD PARTY HAS TO BE AUTHORIZED BY Amphenol LTW.

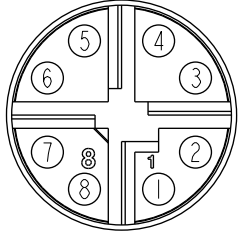
| REV. | ECN NO. | DATE       | SIGN       | DESCRIPTION      |
|------|---------|------------|------------|------------------|
| C    | C210219 | 2021/03/11 | Vicky      | $\triangle C$ X2 |
| D    | C220546 | 2022/03/31 | Arvin Chan | $\triangle D$ X1 |
| E    | C230011 | 2023/01/05 | Vicky      | $\triangle E$ X1 |



$\triangle B$  MSXS-XXBMMM-SR7XXX  
 XX: No. Of Pin  
 XX: 01~99Meters  
 01: 01Meter  
 02: 02Meters  
 ...  
 99: 99Meters

- $\triangle C$  Note:  
 \* RoHS Compliant  
 \*  $\phi$  Important dimensions  
 $\triangle E$  \* Waterproof rate: IP67, mated  
 \* Connector  
 Housing: Thermoplastic, Black  
 Pin: Copper alloy, Gold plated  
 Nut: Metal  
 Shield: Metal  
 Outer Mold: Thermoplastic, Black  
 $\triangle D$  \* Cable: CAT-6A, 26AWG\*4P+AL/MY+B,  
 TPU Jacket, OD 6.8mm, Green  
 \* Cable length tolerance: 1M: +50/-0 mm  
 1M < L  $\leq$  3M: +100/-0 mm  
 3M < L  $\leq$  5M: +150/-0 mm  
 5M < L  $\leq$  10M:  $\pm$ 100 mm  
 10M < L  $\leq$  20M:  $\pm$ 200 mm  
 20M < L  $\leq$  30M:  $\pm$ 300 mm  
 30M < L  $\leq$  99M:  $\pm$ 500 mm

| Shield                    | Braid        | 編織      |       |
|---------------------------|--------------|---------|-------|
| 8                         | Blue         | 藍       | Twist |
| 7                         | White/Blue   | 白/藍     |       |
| 6                         | Brown        | 棕       | Twist |
| 5                         | White/Brown  | 白/棕     |       |
| 4                         | Green        | 綠       | Twist |
| 3                         | White/Green  | 白/綠     |       |
| 2                         | Orange       | 橘       | Twist |
| 1                         | White/Orange | 白/橘     |       |
| Conn.                     | Wire Color   |         |       |
| Pin Assignment Front View |              | Pin Out |       |



|           |             |         |  |     |
|-----------|-------------|---------|--|-----|
| UNIT:mm   | $\phi$      | TITLE   | <b>N SEN, M12 X -SHLD, SCREW CABLE W/O SR, M, M, MOLDING</b> |     |
| TOLERANCE | $\pm 0.5mm$ | SCALE   |  | 3:2 |
|           |             | SIZE    |  | A4  |
|           |             | REV.    | E  |     |
|           |             | WC-REV. |  |     |
|           |             | $\phi$  | Inspection item  |     |

**Amphenol LTW**  
 安費諾亮泰企業股份有限公司

|          |             |            |
|----------|-------------|------------|
| ITEM NO  | DRAWN BY    | DATE       |
| DWG NO   | CHECKED BY  | DATE       |
| CUSTOMER | APPROVED BY | DATE       |
| ALTW     | Fu          | 2019-10-26 |
|          | Feng li     | 2019-10-26 |
|          | Jerry       | 2019-10-26 |

## X-ON Electronics

Largest Supplier of Electrical and Electronic Components

*Click to view similar products for [Ethernet Cables / Networking Cables](#) category:*

*Click to view products by [Amphenol](#) manufacturer:*

Other Similar products are found below :

[73-7795-1](#) [MCJB2-10P6Q7-120](#) [84909-0204](#) [E16A06002M030](#) [E200102-009-S1](#) [AX105346-EW](#) [MT14-187L](#) [ERWPAB3002M005](#) [190-038045-01](#) [NK5EPC1GRY](#) [NK5EPC4Y](#) [1969343-6](#) [ICD056GVP163D-C0](#) [C5UMB3FBG](#) [C631208025](#) [C631208035](#) [C6F1106015](#) [2168427-2](#) [21949-1](#) [2J1866A](#) [RJF SFTP 5E 0500](#) [AX100351](#) [UTPCH14GYY](#) [45-5684](#) [09459711142](#) [100345-1301](#) [MWDM6L-31S-6C4-.375H](#) [73-7793-1](#) [74764-1101](#) [WHU18-3636-048](#) [WHU18-1836-060](#) [1R4000A39M030](#) [UTPSP6GYY](#) [UTPSP2GYY](#) [UTPSP10GYY](#) [UTPCH5GYY](#) [UTP28SP15M](#) [UTP28CH100OR](#) [ENSP2F5C305](#) [74764-2301](#) [E66A06002M020](#) [NPC-5E-010-GY](#) [1-3636-620-5214](#) [1-3636-601-5211](#) [1-3636-600-5212](#) [1-3636-461-5208](#) [1-3637-600-5212](#) [1-3637-600-5206](#) [1-3636-618-5212](#) [1-3636-601-5248](#)