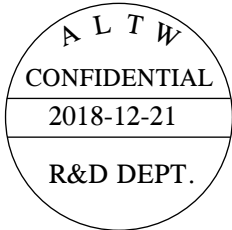
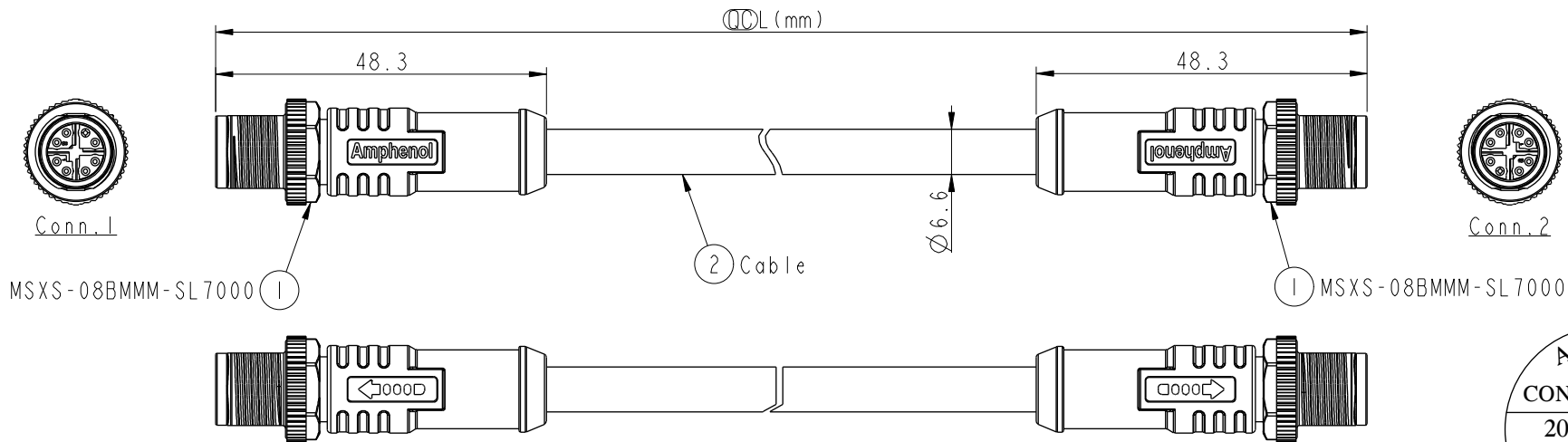
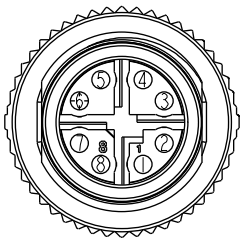


THIS DOCUMENT IS SUBJECT TO CHANGE WITHOUT NOTICE. IT IS CONFIDENTIAL AND A PROPERTY OF Amphenol LTW. DISCLOSURE TO THIRD PARTY HAS TO BE AUTHORIZED BY Amphenol LTW.

REV.	ECN NO.	DATE	SIGN	DESCRIPTION
C	C180009	2018-08-10	Fisher Wang	update drawing
D	C180514	2018-12-04	Vicky	Update note cable length
E	C180642	2018-12-21	Ruru	Modify Drawing Mark Cable Length



- Note:
- * \varnothing Important Dimensions To Check
 - * Waterproof Rate: IP67
 - * Connector: Nylon+GF, Black
 - * Pin: Copper Alloy, Gold Plated
 - * Screw Nut: Zinc Alloy, Nickel Plated
 - * Shield: Copper Alloy
 - * Outer Mold: PU, Black
 - * Cable: Cat6A, 26AWG*4P+B, LSZH, UV resistant
OD 6.6mm, Green Jacket.
 - * Rated Voltage: 50 V AC, 60 V DC
 - * Rated Current: 0.5A
 - * Cable length Tolerance: 0.5M±20mm
01M±40mm
02M~05M±60mm
06M~10M±100mm
11M~30M±200mm
31M~40M±500mm



Conn.1&2
Pin Assignment
Front View

Shield	Braid	Shield
8	Blue 藍	8
7	White/Blue 白/藍	7
6	Brown 棕	6
5	White/Brown 白/棕	5
4	Green 綠	4
3	White/Green 白/綠	3
2	Orange 橙	2
1	White/Orange 白/橙	1
Conn.1	Wire Color	Conn.2
Pin Out		

MSXS08ML-SXSML-SGX \varnothing △

- XXX : 0.5~40 Meters
- A05 : 0.5 Meter
- 001 : 1 Meter
- 002 : 2 Meters
- ...
- 040 : 40 Meters

Cable Length(L):0.5~40Meters

UNIT:mm	
TOLERANCE	± 0.5 mm

TITLE M12 X-code Double Ended			
SCALE 1:1	SIZE A4	SHEET 1 OF 1	
REV. E	WC-REV. A.3	\varnothing : Inspection item	

Amphenol LTW
安費諾亮泰企業股份有限公司

ITEM NO	DRAWN BY Ruru	DATE 2018-12-21
DWG NO MSXS08ML-SXSML-SGX \varnothing	CHECKED BY Rita	DATE 2018-12-21
CUSTOMER ALTW	APPROVED BY Max	DATE 2018-12-21

X-ON Electronics

Largest Supplier of Electrical and Electronic Components

Click to view similar products for [Specialised Cables category](#):

Click to view products by [Amphenol manufacturer](#):

Other Similar products are found below :

[GP-IE515546DS-002](#) [7810SB-010-1000](#) [96CB-L2020PIB2](#) [1200740161](#) [R88ACAKA0015SRE](#) [R88ACAWL005SDE](#) [R88ACRGD0R3C](#)
[1300660042](#) [1300660201](#) [1971465-2](#) [22733-8](#) [2R7004A20F060](#) [SSL009PC2DC012N](#) [FC2A-KC6C](#) [CCSFCBF2](#) [R7ACAB005S](#)
[XS2WM12PUR4SA10M](#) [XS2WM12PVC4SA10M](#) [05AU05](#) [UCABLE](#) [10114734-2010LF](#) [XW2Z010H3](#) [XW2Z010H1](#) [5-1589827-8](#) [5-](#)
[1589827-4](#) [861084-1](#) [XW2Z200JB24](#) [5-1589956-8](#) [CR4000A76M020](#) [1201140211](#) [1300140039](#) [CR4000A76M005](#) [CR4006A76M005](#)
[10077488-N0550FDLF](#) [XW2ZRY150C](#) [I4JPBJLUXX100](#) [I4JPBJLUXX50](#) [CM06](#) [CM06W](#) [POE004](#) [0243 009 05](#) [0243 009 20](#) [0243 009 36](#)
[0243 009 26](#) [0243 009 33](#) [0243 009 23](#) [0243 009 01](#) [0243 009 30](#) [0243 008 05](#) [0243 008 20](#)