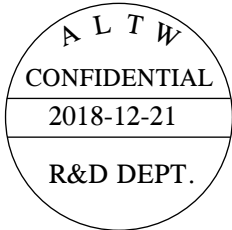
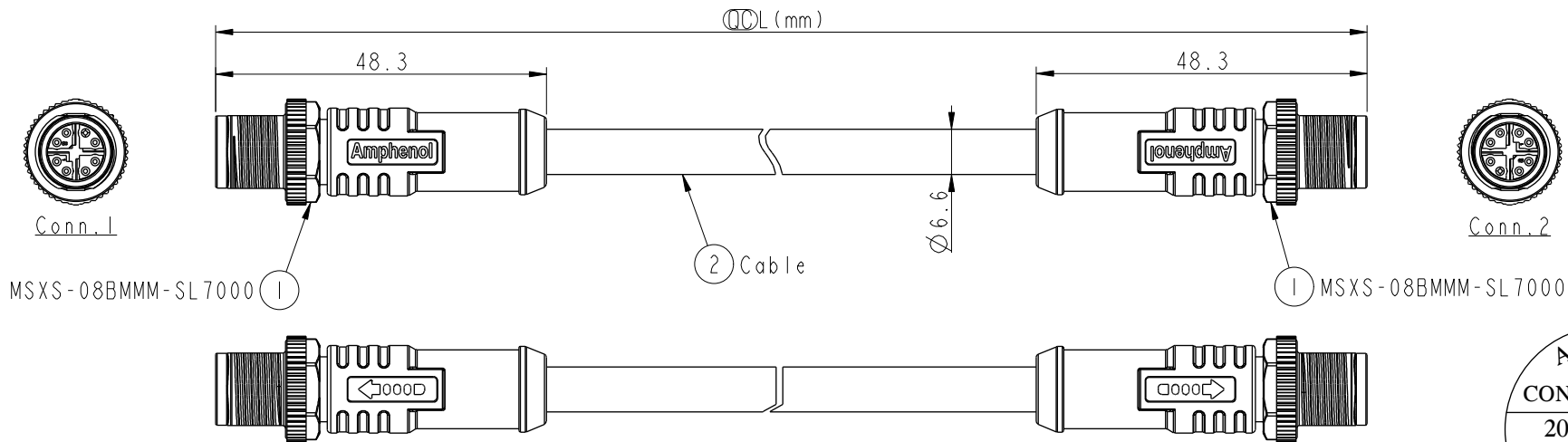
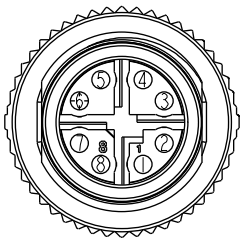


THIS DOCUMENT IS SUBJECT TO CHANGE WITHOUT NOTICE. IT IS CONFIDENTIAL AND A PROPERTY OF Amphenol LTW. DISCLOSURE TO THIRD PARTY HAS TO BE AUTHORIZED BY Amphenol LTW.

REV.	ECN NO.	DATE	SIGN	DESCRIPTION
C	C180009	2018-08-10	Fisher Wang	update drawing
D	C180514	2018-12-04	Vicky	Update note cable length
E	C180642	2018-12-21	Ruru	Modify Drawing Mark Cable Length



- Note:
- * \varnothing Important Dimensions To Check
 - * Waterproof Rate: IP67
 - * Connector: Nylon+GF, Black
 - * Pin: Copper Alloy, Gold Plated
 - * Screw Nut: Zinc Alloy, Nickel Plated
 - * Shield: Copper Alloy
 - * Outer Mold: PU, Black
 - * Cable: Cat6A, 26AWG*4P+B, LSZH, UV resistant
OD 6.6mm, Green Jacket.
 - * Rated Voltage: 50 V AC, 60 V DC
 - * Rated Current: 0.5A
 - * Cable length Tolerance: 0.5M±20mm
01M±40mm
02M~05M±60mm
06M~10M±100mm
11M~30M±200mm
31M~40M±500mm



Conn.1&2
Pin Assignment
Front View

Shield	Braid	Shield
8	Blue 藍	8
7	White/Blue 白/藍	7
6	Brown 棕	6
5	White/Brown 白/棕	5
4	Green 綠	4
3	White/Green 白/綠	3
2	Orange 橙	2
1	White/Orange 白/橙	1
Conn.1	Wire Color	Conn.2
Pin Out		

MSXS08ML-SXSML-SGX Δ XX Δ

- XXX : 0.5~40 Meters
- A05 : 0.5 Meter
- 001 : 1 Meter
- 002 : 2 Meters
- ...
- 040 : 40 Meters

Cable Length(L):0.5~40Meters

UNIT:mm	
TOLERANCE	± 0.5 mm

TITLE M12 X-code Double Ended			
SCALE 1:1	SIZE A4	SHEET 1 OF 1	
REV. E	WC-REV. A.3	\varnothing : Inspection item	

Amphenol LTW
安費諾亮泰企業股份有限公司

ITEM NO	DRAWN BY Ruru	DATE 2018-12-21
DWG NO MSXS08ML-SXSML-SGX Δ XX Δ	CHECKED BY Rita	DATE 2018-12-21
CUSTOMER ALTW	APPROVED BY Max	DATE 2018-12-21

X-ON Electronics

Largest Supplier of Electrical and Electronic Components

Click to view similar products for [Ethernet Cables / Networking Cables](#) category:

Click to view products by [Amphenol](#) manufacturer:

Other Similar products are found below :

[73-6670-7](#) [73-6680-15](#) [73-7797-25](#) [MCJB2-10P6Q7-120](#) [84909-0204](#) [1200700174](#) [1200860368](#) [E16A06002M030](#) [E200102-009-S1](#)
[AX105346-EW](#) [MT14-187L](#) [17-103530](#) [ERWPAB3002M005](#) [190-038045-01](#) [NK5EPC18RDY](#) [NK5EPC18VLY](#) [NK5EPC18YLY](#)
[NK5EPC1GRY](#) [NK5EPC4Y](#) [NK5EPC6YLY](#) [NK5EPC8BLY](#) [NK5EPC9YLY](#) [1969343-6](#) [C501100010](#) [C501106002](#) [C501106007](#)
[C501106015](#) [C501106025](#) [C601102010](#) [C601104010](#) [C601106007](#) [C601106015](#) [2142758-2](#) [2168427-2](#) [CAT1106007](#) [SR02P0-26E5-15.0](#)
[SR02S0-26E5-15.0](#) [21949-1](#) [2J1866A](#) [RJF SFTP 5E 0500](#) [AX100351](#) [MN14CEC/ST](#) [C501100015](#) [C501106004](#) [C501106010](#) [C5F1108007](#)
[C601104004](#) [C601106004](#) [CA21106004](#) [CA21106010](#)