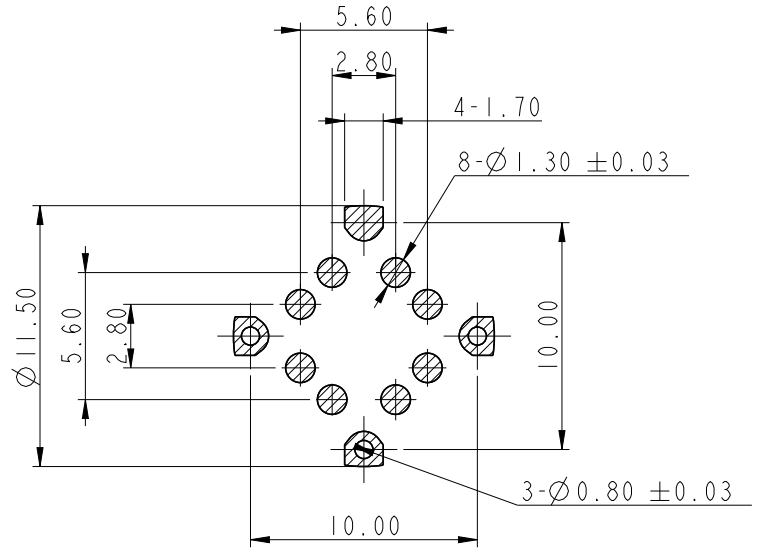
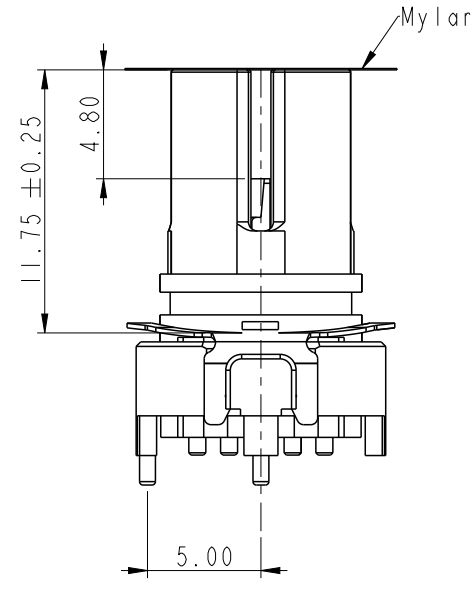
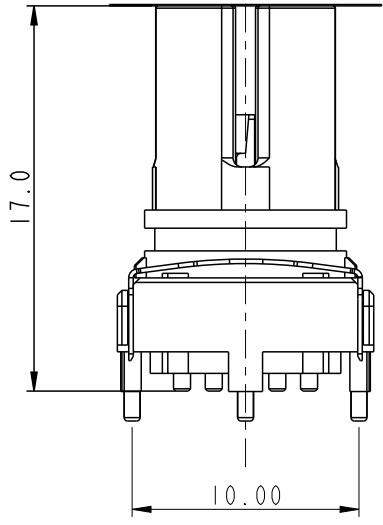
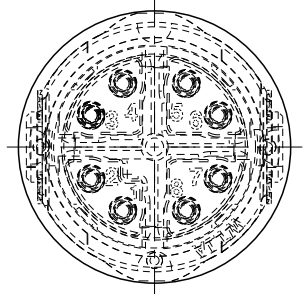
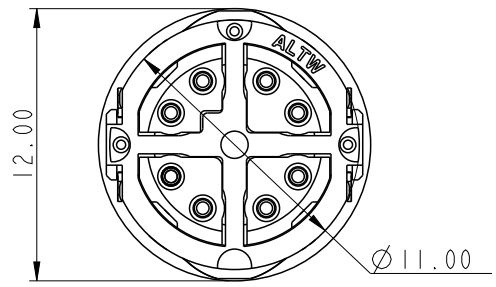


REV.	DESCRIPTION
B	Update Description



Recommended PCB Layout
General tolerance: ±0.05mm



- Note:
- * Waterproof Rate: IP67 (Mated Condition)
 - * Connector: Thermoplastic, Black
 - * Female Pin: Copper Alloy, Gold Plated
 - * Shield & Spring: Metal
 - * Withstand voltage test 2.2KVdc between shield and pin, 500Vac between adjacent pin
 - * Coplanarity of all contacts: 0.10mm maximum.

UNIT: mm		
TOLERANCE		
.X	±0.25	
.XX	±0.1	
.XXX	±0.05	
ANGLES	±1°	

TITLE M12 X-Code, Panel Ended SMT Type			
SCALE 3:1	SIZE A4	SHEET 1	OF 3
REV. B	WC-REV. A.16	QC: Inspection item	

Amphenol LTW
安費諾亮泰企業股份有限公司

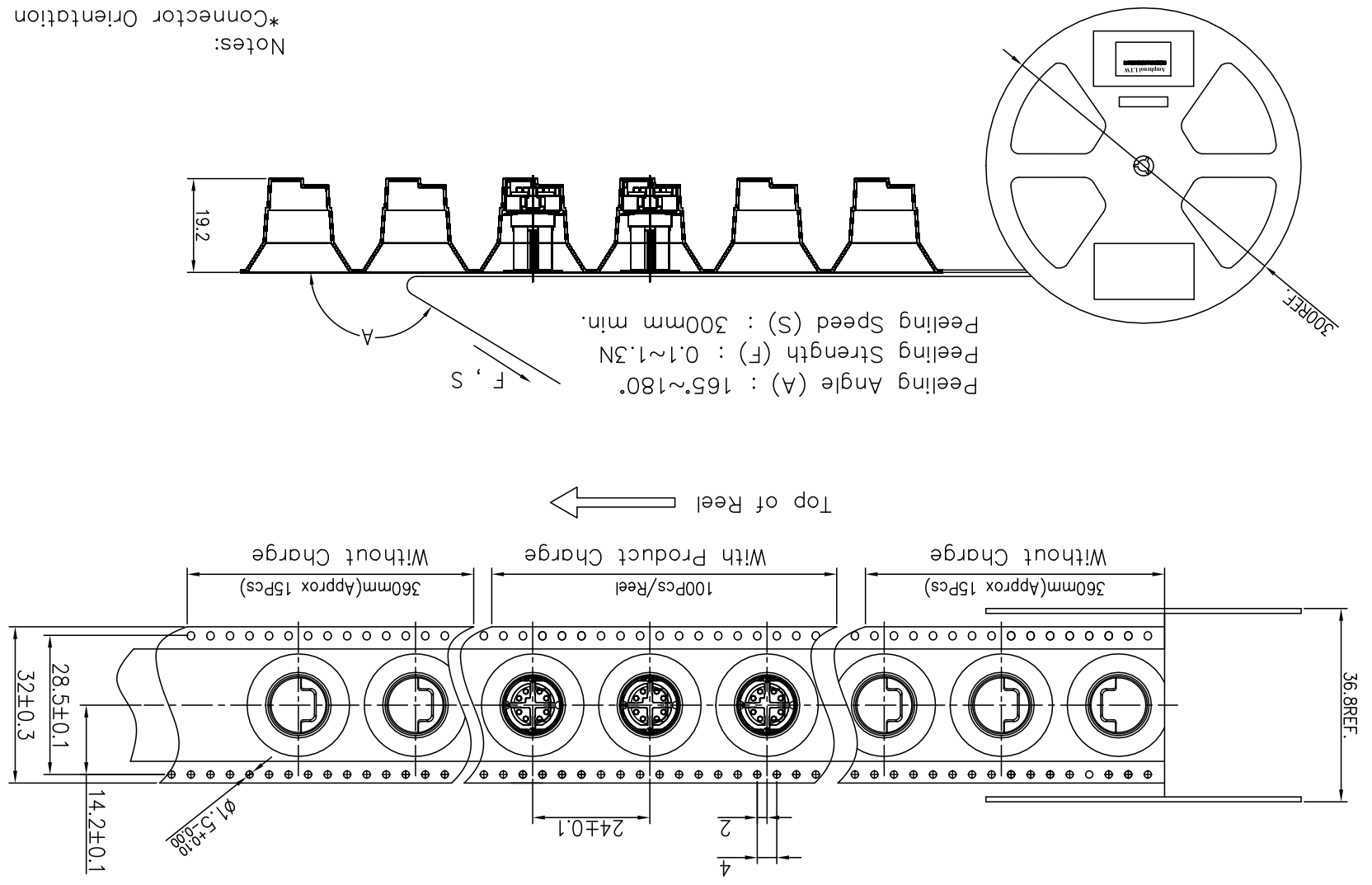
ITEM NO MSXS-08PFFT-EE0001	DRAWN BY Sam Ho	DATE 2018-12-19
DWG NO MSXS-08PFFT-EE0001	CHECKED BY Fred Lee	DATE 2018-12-19
CUSTOMER ALTW	APPROVED BY Fred Lee	DATE 2018-12-19

THIS DOCUMENT IS SUBJECT TO CHANGE WITHOUT NOTICE. IT IS CONFIDENTIAL AND A PROPERTY OF AMPHENOL LTW. DISCLOSURE TO THIRD PARTY HAS TO BE AUTHORIZED BY AMPHENOL LTW.

THIS DOCUMENT IS SUBJECT TO CHANGE WITHOUT NOTICE. IT IS CONFIDENTIAL AND A PROPERTY OF Amphenol LTW. DISCLOSURE TO THIRD PARTY HAS TO BE AUTHORIZED BY Amphenol LTW.

REV. B		DESCRIPTION	
Update Description			
8	7	6	5

DATE	DRAWN BY	ITEM NO	DWG NO	CUSTOMER	DATE	APPROVED BY	
2018-12-19	Sam Ho	MSXS-08PFFT-EE0001	MSXS-08PFFT-EE0001	安費諾亮泰企業股份有限公司	2018-12-19	Fred Lee	
DATE	CHECKED BY					DATE	
2018-12-19	Fred Lee					2018-12-19	
DATE	APPROVED BY		SCALE		REV. B		
2018-12-19	Fred Lee		Free		A4		
		SHEET 2 OF 3		M12 X-Code Pannel Package		TITLE	
						UNIT: mm	
						TOLERANCE	
						±0.5mm	

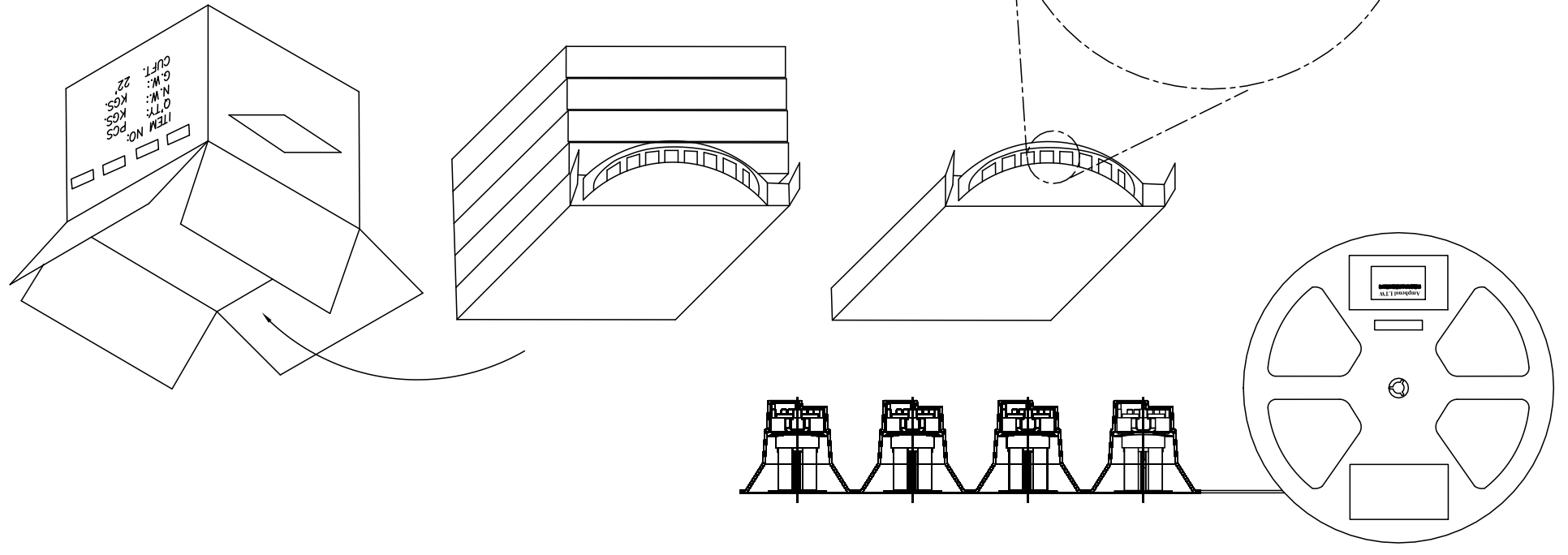


1	2	3	4	5	6	7	8
---	---	---	---	---	---	---	---

THIS DOCUMENT IS SUBJECT TO CHANGE WITHOUT NOTICE. IT IS CONFIDENTIAL AND A PROPERTY OF Amphenol LTW. DISCLOSURE TO THIRD PARTY HAS TO BE AUTHORIZED BY Amphenol LTW.

UNIT: mm		TOLERANCE		±0.5mm	
TITLE		M12 X-Code Pannel Package		SHEET 3 OF 3	
SCALE		Free		A4	
REV. B		SIZE		A4	
⑩: Inspection Item		安費諾亮泰企業股份有限公司			
CUSTOMER		ALTW			
ITEM NO		MSXS-08PFT-EE001		DRAWN BY	
DWG NO		MSXS-08PFT-EE001		CHECKED BY	
DATE		2018-12-19		DATE	
DATE		2018-12-19		DATE	
DATE		2018-12-19		DATE	

Notes:
 *Tape&Reel(Box) Quantity : 100pcs/Reel(Box).
 *Carton Quantity : 500pcs/Carton.



REV. B	DESCRIPTION
	Update Description

1 2 3 4 5 6 7 8

X-ON Electronics

Largest Supplier of Electrical and Electronic Components

Click to view similar products for [Circular Metric Connectors](#) category:

Click to view products by [Amphenol](#) manufacturer:

Other Similar products are found below :

[1424048](#) [1021212](#) [600X518037X](#) [6STD09SAM99B70X](#) [6STD15PCR99B70A](#) [8R4000A16M020](#) [1200910002](#) [1201150041](#) [1203580030](#)
[1200700064](#) [1200700263](#) [1200700416](#) [1200730102](#) [1200770002](#) [1-2823588-2](#) [130203-0054](#) [1300140026](#) [1300150099](#) [1-3637-600-5205](#)
[1545399](#) [1594331](#) [1600413](#) [1612606](#) [1612618](#) [1614660](#) [1A4000-348](#) [CA06EW24-10P-B-03](#) [21036836414](#) [2823064-1](#) [1610759](#) [A1642LK-](#)
[II-T](#) [1R3006A20M005](#) [41-01016](#) [41-40011](#) [41-40017](#) [42-00006](#) [42-01015](#) [4-22279-4](#) [4-22281-1](#) [4-22284-9](#) [43-00002](#) [43-00113](#) [43-00130](#)
[43-01028](#) [43-01034](#) [43-01088](#) [43-01090](#) [43-01203](#) [43-01209](#) [43-01335](#)