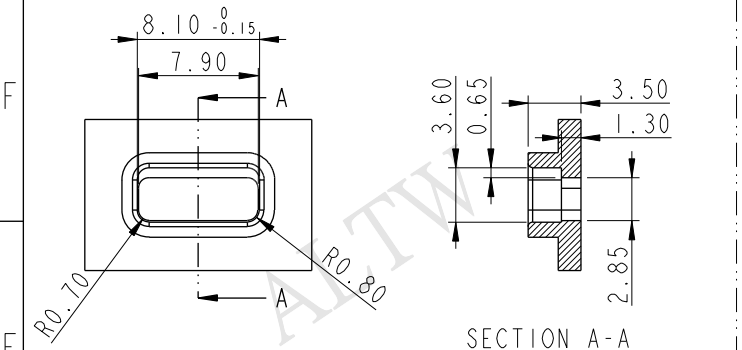


THIS DOCUMENT IS SUBJECT TO CHANGE WITHOUT NOTICE. IT IS CONFIDENTIAL AND A PROPERTY OF Amphenol LTW. DISCLOSURE TO THIRD PARTY HAS TO BE AUTHORIZED BY Amphenol LTW.

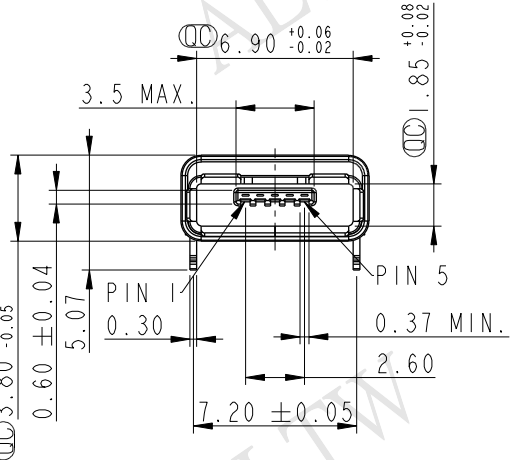
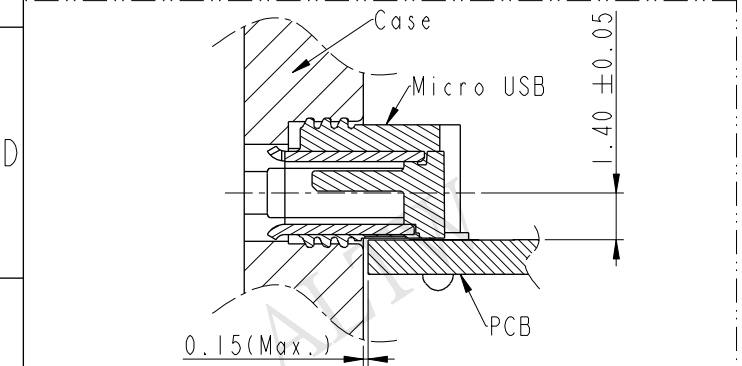
REV.	ECN NO.	DATE	SIGN	DESCRIPTION
A	Initial Release	2016/07/25	Jason Yu	New Item

**ALTW**  
**CONFIDENTIAL**  
**2016-07-25**  
**R&D DEPT.**

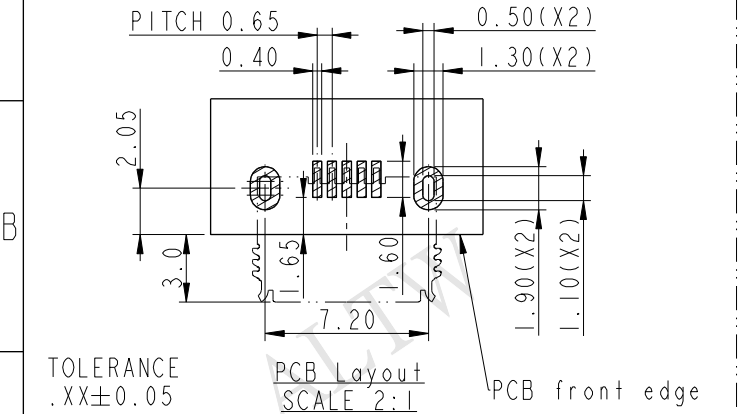
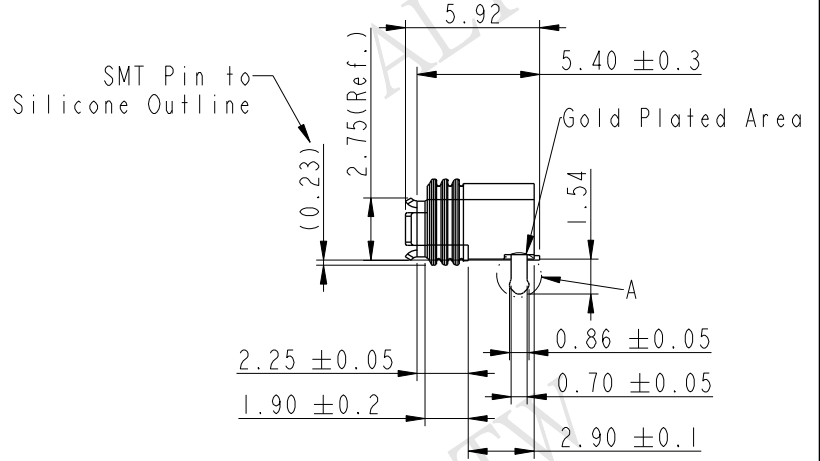


SECTION A-A

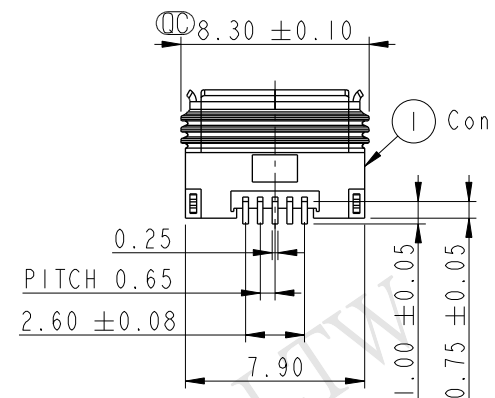
TOLERANCE Recommended Case Cut Out  
 .XX±0.05 SCALE 2:1



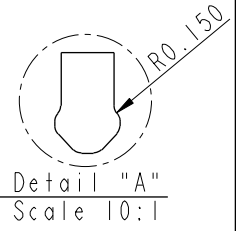
MUC-20PFFR-JSXX02



TOLERANCE .XX±0.05 SCALE 2:1



- †70: 1PX7( 1M depth of water in 30min)
- †8A: 1PX8( 1M depth of water in 24hrs)
- †8B: 1PX8( 5M depth of water in 24hrs)
- †8C: 1PX8(10M depth of water in 3hrs)



- Note:
- \* (⊙) Important Dimensions To Check
  - \* Current: 1&5pin(1.8A), 2~4 pin(1.0A)
  - \* Housing: Nylon, Black
  - \* Terminal: Copper Alloy, Gold Plated
  - \* Shell: Stainless, Gold Plated
  - \* Inner Gasket: Silicone, Transparent
  - \* Outside Gasket: Silicone, Transparent
  - \* PCB Thickness: 1.2 MAX.
  - \* For Micro USB A & B type plug use
  - \* SMD Temperature & Time: 260°C / 5 sec

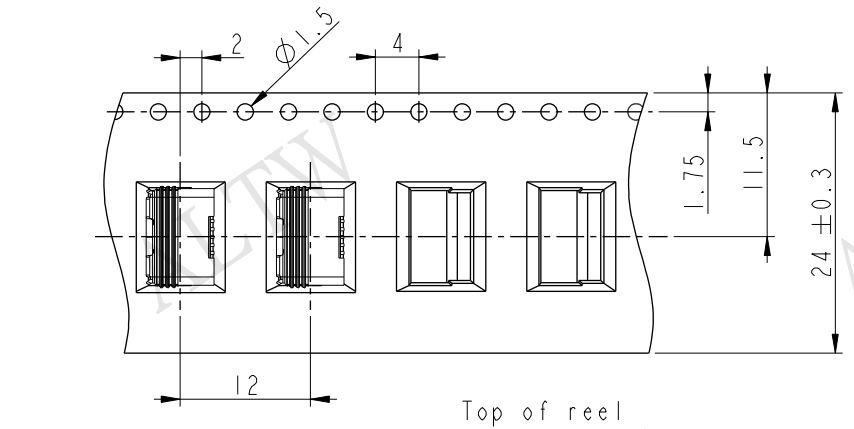
UNIT: mm			TITLE WATERPROOF MICRO-AB USB PANEL 20MAB F CONN JACK LENGHT PIN		
TOLERANCE .X ±0.25 .XX ±0.1 .XXX ±0.05 ANGLES ±1°	SCALE 3:1	SIZE A4	SHEET 1	OF 4	REV. A
	WC-REV. A.6	⊙: Inspection item			

**Amphenol LTW**  
 安費諾亮泰企業股份有限公司

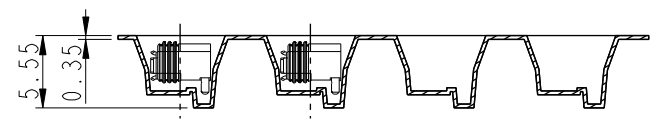
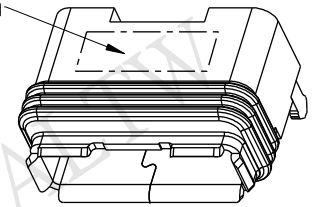
ITEM NO	DRAWN BY	DATE
DWG NO MUC-20PFFR-JSXX02	Jason Yu	2016/07/25
CUSTOMER	CHECKED BY	DATE
ALTW	Arvin Chan	2016/07/25
	APPROVED BY	DATE
	Kevin Hu	2016/07/25

THIS DOCUMENT IS SUBJECT TO CHANGE WITHOUT NOTICE. IT IS CONFIDENTIAL AND A PROPERTY OF AMPHENOL LTW. DISCLOSURE TO THIRD PARTY HAS TO BE AUTHORIZED BY AMPHENOL LTW.

Tape & Reel Information:

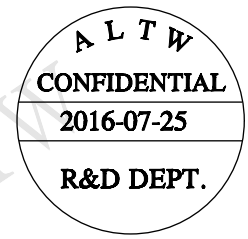
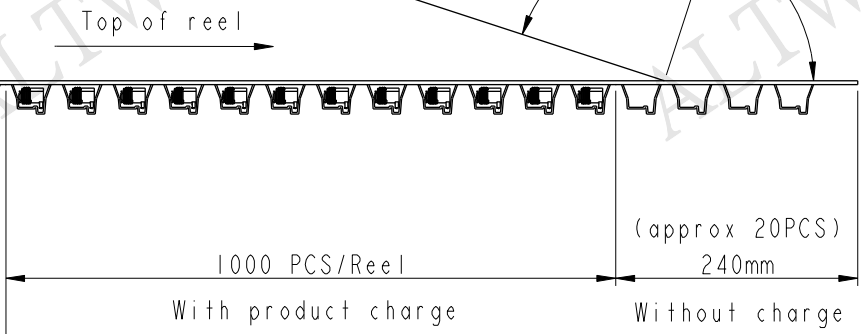
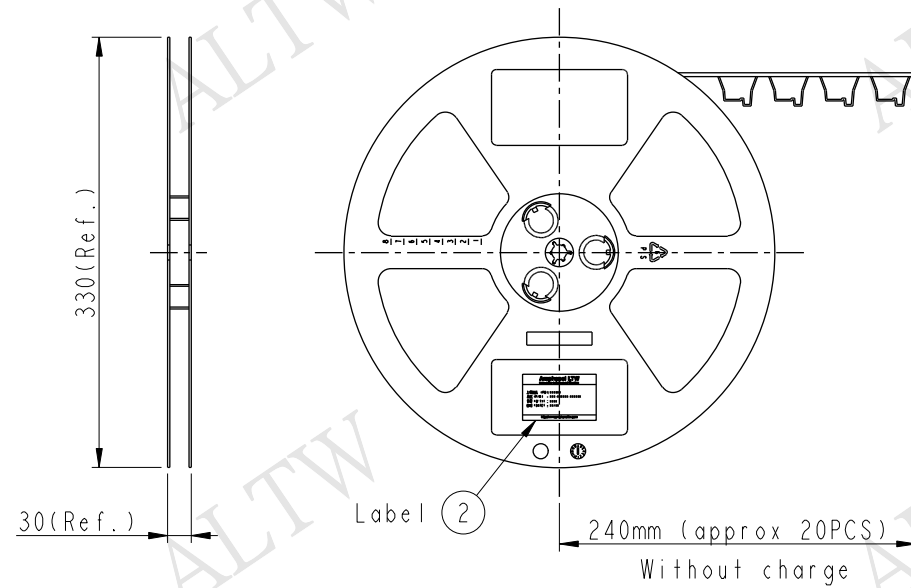


SMT Nozzle Area  
(6.0x2.0mm)



Wide cover tape around  
out periphery 1 turn

Peeling strenght 0.1~1.3N Max.  
(300±10mm/min)  
Peeling angle  
165~180°



UNIT: mm		
TOLERANCE	.X ±0.25	.XX ±0.1
.XXX	±0.05	
ANGLES	±1°	

TITLE WATERPROOF MICRO-AB USB PANEL 20MAB F CONN JACK LENGHT PIN			
SCALE	Free	SIZE	A4
		SHEET	2 OF 4
REV.	A	WC-REV.	A.6
		QC	Inspection item

**Amphenol LTW**  
安費諾亮泰企業股份有限公司

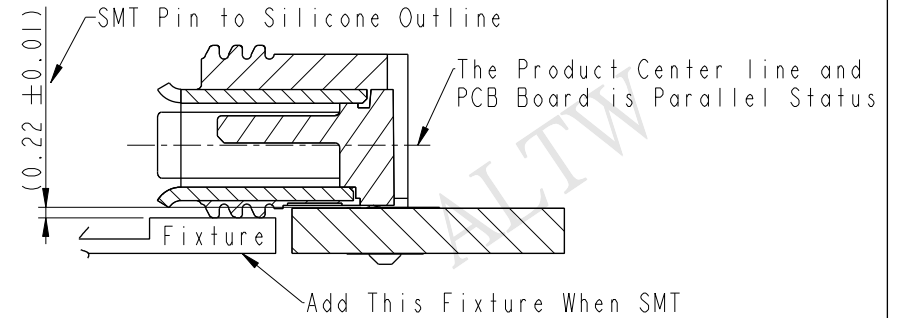
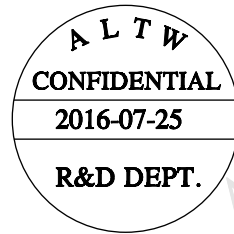
ITEM NO	
DWG NO	MUC-20PFFR-JSXX02
CUSTOMER	ALTW

DRAWN BY	Jason Yu
CHECKED BY	Arvin Chan
APPROVED BY	Kevin Hu

DATE	2016/07/25
DATE	2016/07/25
DATE	2016/07/25

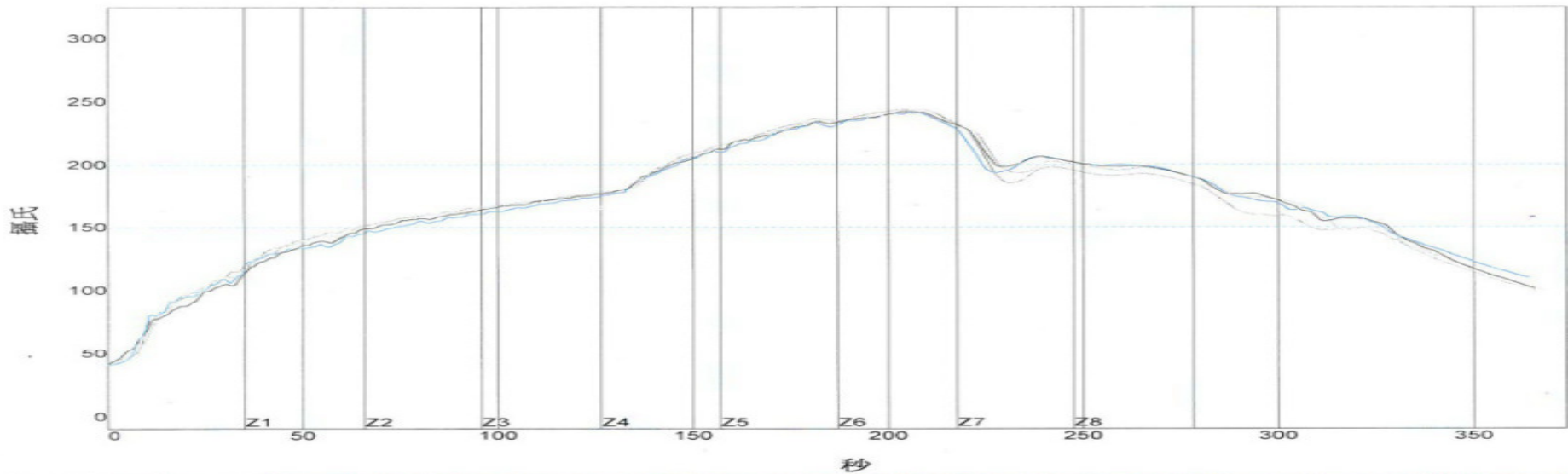
For SMT Process Recommend:

About Fixture:



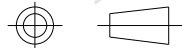
About IR Reflow Profile:

溫度設置 (攝氏)	1	2	3	4	5	6	7	8
溫區								
上溫區	160	180	180	180	190	245	265	260
下溫區	160	180	180	180	190	245	265	260
傳送帶速度 (米/分):	0.95							



PWI= 61%	最高上升斜率	最高下降斜率	恆溫時間150至200C	回流時間 /220C	最高溫度					
CON1	2.81	-6%	-2.33	33%	80.21	-33%	60.91	-30%	242.36	-18%
CON2	2.38	-21%	-2.14	43%	75.61	-48%	57.41	-42%	241.74	-22%
CON3	2.81	-6%	-2.84	8%	77.79	-41%	58.66	-38%	243.44	-10%
CON4	2.83	-6%	-2.34	33%	72.24	-59%	51.64	-61%	240.92	-27%
溫差	0.45		0.70		7.97		9.27		2.52	

UNIT: mm



TOLERANCE  
 .X ±0.25  
 .XX ±0.1  
 .XXX ±0.05  
 ANGLES ±1°

TITLE WATERPROOF MICRO-AB USB  
 PANEL 20MAB F CONN JACK LENGTH PIN

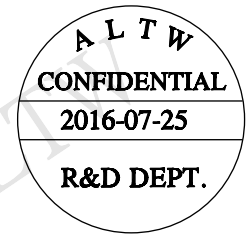
SCALE Free SIZE A4 SHEET 3 OF 4  
 REV. A WC-REV. A.1 (QC): Inspection item

**Amphenol LTW**  
 安費諾亮泰企業股份有限公司

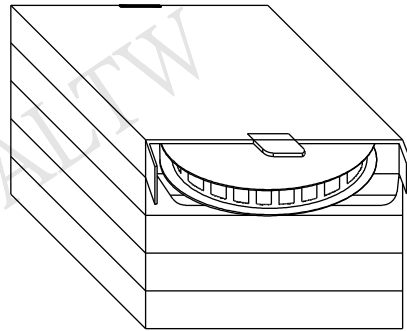
ITEM NO	DRAWN BY	DATE
DWG NO	CHECKED BY	DATE
CUSTOMER	APPROVED BY	DATE
	Jason Yu	2016/07/25
MUC-20PFFR-JSXX02	Arvin Chan	2016/07/25
ALTW	Kevin Hu	2016/07/25

THIS DOCUMENT IS SUBJECT TO CHANGE WITHOUT NOTICE. IT IS CONFIDENTIAL AND A PROPERTY OF AMPHENOL LTW. DISCLOSURE TO THIRD PARTY HAS TO BE AUTHORIZED BY AMPHENOL LTW.

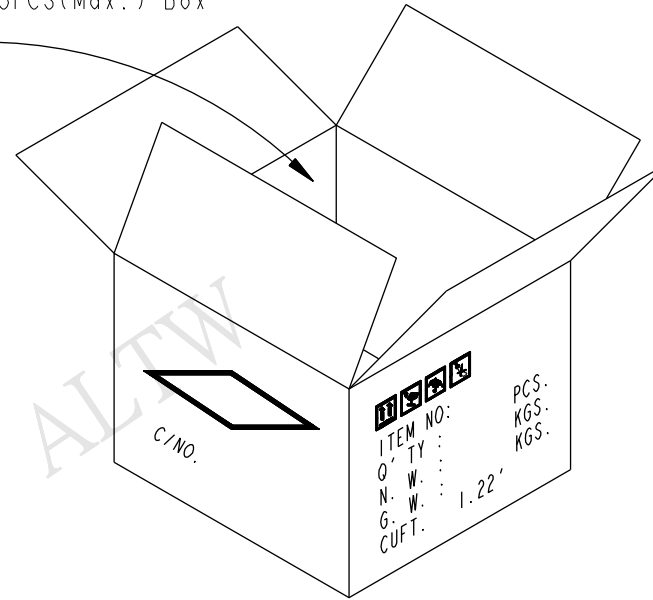
Package :



One Carton can put in the 5PCS(Max.) Box

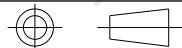


1000 PCS(Connector)/Tape&Reel, Put in a Box



(5,000 PCS/Carton)

UNIT:mm



TOLERANCE  
 .X ±0.25  
 .XX ±0.1  
 .XXX ±0.05  
 ANGLES ±1°

TITLE  
 WATERPROOF MICRO-AB USB  
 PANEL 20MAB F CONN JACK LENGHT PIN

SCALE Free SIZE A4 SHEET 4 OF 4  
 REV. A WC-REV. A.1

☉: Inspection item

**Amphenol LTW**  
 安費諾亮泰企業股份有限公司

ITEM NO	DRAWN BY	DATE
	Jason Yu	2016/07/25
DWG NO	CHECKED BY	DATE
MUC-20PFFR-JSXX02	Arvin Chan	2016/07/25
CUSTOMER	APPROVED BY	DATE
ALTW	Kevin Hu	2016/07/25

THIS DOCUMENT IS SUBJECT TO CHANGE WITHOUT NOTICE. IT IS CONFIDENTIAL AND A PROPERTY OF Amphenol LTW. DISCLOSURE TO THIRD PARTY HAS TO BE AUTHORIZED BY Amphenol LTW.

## X-ON Electronics

Largest Supplier of Electrical and Electronic Components

*Click to view similar products for [USB Connectors](#) category:*

*Click to view products by [Amphenol](#) manufacturer:*

Other Similar products are found below :

[65-647-8-BK-BU](#) [950](#) [E8144-B01021-L](#) [A-USB A-LP-SMT-C](#) [A-USB B-TOP-C](#) [MUSBA511N5](#) [MUSBD11135](#) [217450-1](#) [CA 6 W LD](#)  
[KMBVX-TH-5S-B30](#) [896-30-004-00-000000](#) [KUSBVX-BS1N-W30](#) [KUSBX-AP-KIT-SCBLK](#) [KUSBX-AS2N-W](#) [KUSBX-SMT2AP1S-W](#)  
[KUSBX-SMT2AP1S-W30](#) [935](#) [957](#) [30-498-6](#) [17-210051](#) [1734082-1](#) [30-1574](#) [30-470](#) [30-489](#) [30-541](#) [30-572-3](#) [MAB 8 SN V](#) [A-USB A-](#)  
[2P-C](#) [MIKROE-1451](#) [USBFTV2PEM2G](#) [USBFTVC6ZN](#) [KUSBX-AS2N-W30](#) [KUSBX-SLAS1N-W](#) [KUSBX-SMT-AS1N-W30](#) [4689-1](#) [1-](#)  
[1734084-2](#) [E8110-001-01](#) [MUSBA81130](#) [33UBARS1-04SW11](#) [33UBAR-04SW11](#) [USBF21ZNSCC](#) [USBBFTV6ZC](#) [10135326-001LF](#)  
[M9177/3-1](#) [925](#) [4198](#) [690-024-633-031](#) [KUSBEX-BSFS1N-W](#) [USBFTVC6MRG](#) [UA-20BMFA-SL8001](#)