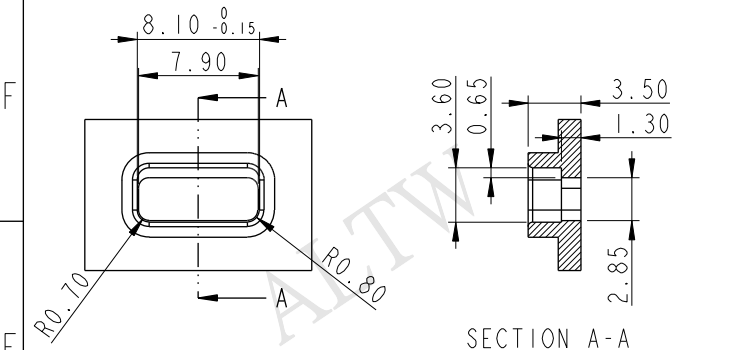


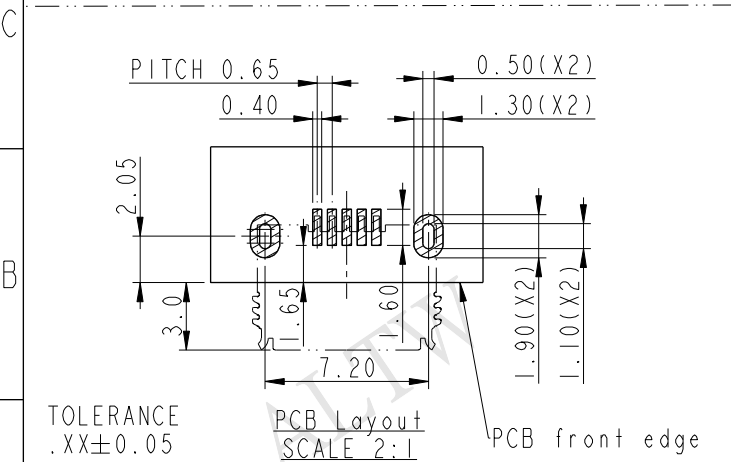
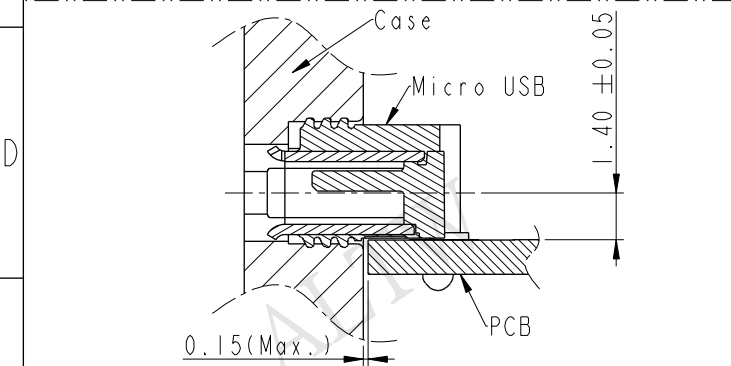
THIS DOCUMENT IS SUBJECT TO CHANGE WITHOUT NOTICE. IT IS CONFIDENTIAL AND A PROPERTY OF Amphenol LTW. DISCLOSURE TO THIRD PARTY HAS TO BE AUTHORIZED BY Amphenol LTW.

REV.	ECN NO.	DATE	SIGN	DESCRIPTION
A	Initial Release	2016/07/25	Jason Yu	New Item
B	LEN1681212~5	2016/08/18	Jason Yu	Add Dimension

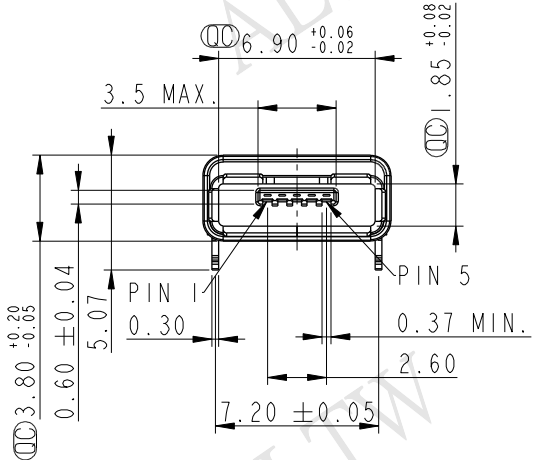
**ALTW**  
**CONFIDENTIAL**  
**2016-08-18**  
**R&D DEPT.**



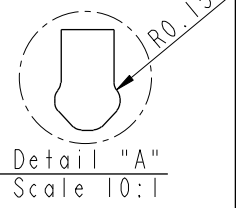
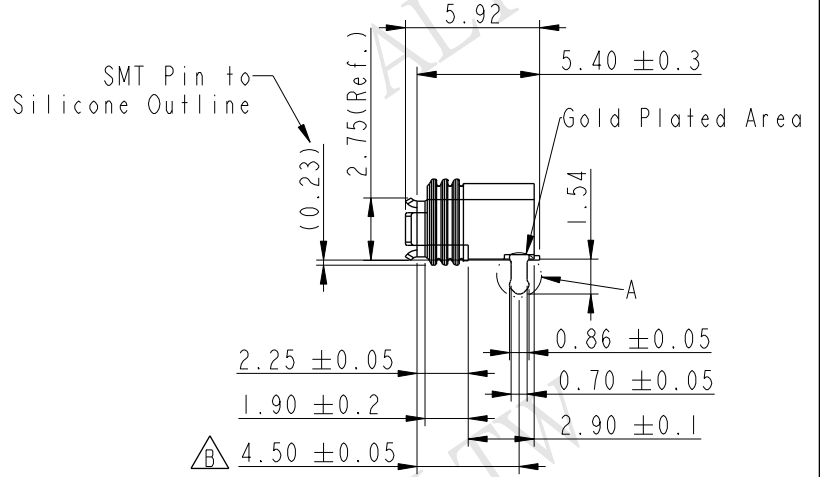
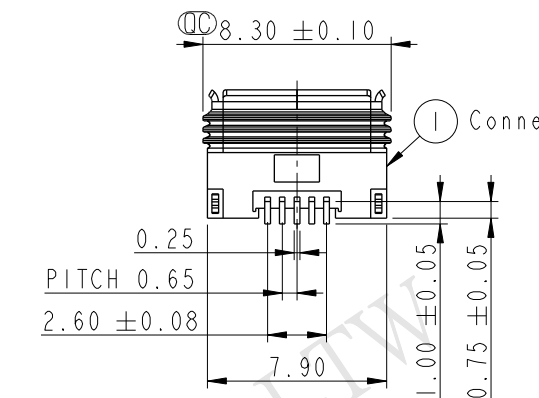
TOLERANCE Recommended Case Cut Out  
 .XX±0.05 SCALE 2:1



TOLERANCE .XX±0.05  
 SCALE 2:1  
 PCB front edge



MUC-20PFFR-JSXX02



Detail "A"  
 Scale 10:1

- Note:
- \* (⊙) Important Dimensions To Check
  - \* Current: 1&5pin(1.8A), 2~4 pin(1.0A)
  - \* Housing: Nylon, Black
  - \* Terminal: Copper Alloy, Gold Plated
  - \* Shell: Stainless, Gold Plated
  - \* Inner Gasket: Silicone, Transparent
  - \* Outside Gasket: Silicone, Transparent
  - \* PCB Thickness: 1.2 MAX.
  - \* For Micro USB A & B type plug use
  - \* SMD Temperature & Time: 260°C / 5 sec

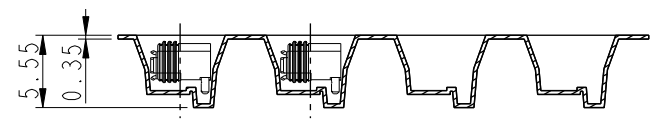
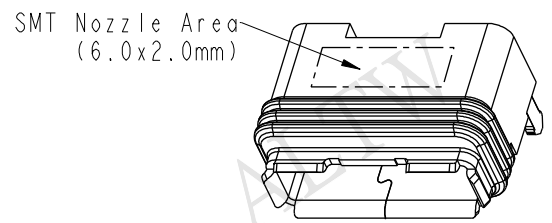
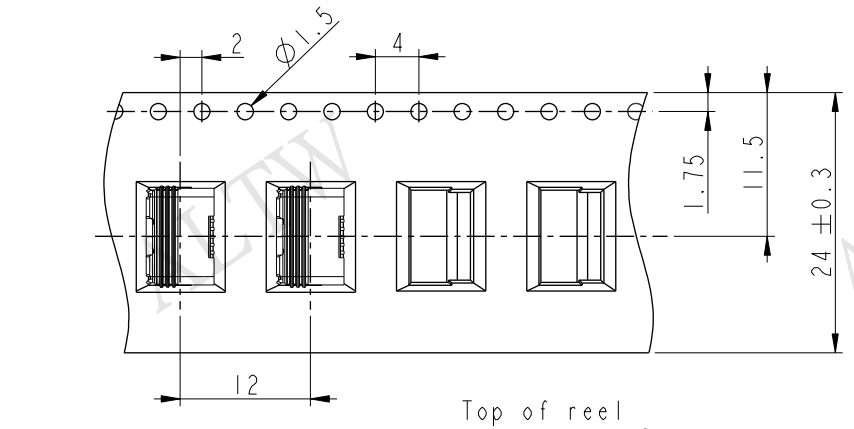
UNIT: mm			TITLE WATERPROOF MICRO-AB USB PANEL 20MAB F CONN JACK LENGHT PIN			
TOLERANCE .X ±0.25 .XX ±0.1 .XXX ±0.05 ANGLES ±1°	SCALE 3:1	SIZE A4	SHEET 1	OF 4	REV. B	WC-REV. A.6
			QC: Inspection item			

**Amphenol LTW**  
 安費諾亮泰企業股份有限公司

ITEM NO.	DRAWN BY	DATE
DWG NO. MUC-20PFFR-JSXX02	Jason Yu	2016/08/18
CUSTOMER	CHECKED BY	DATE
ALTW	Arvin Chan	2016/08/18
	APPROVED BY	DATE
	Kevin Hu	2016/08/18

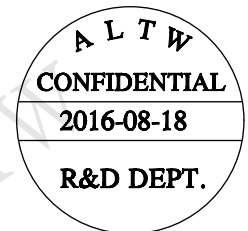
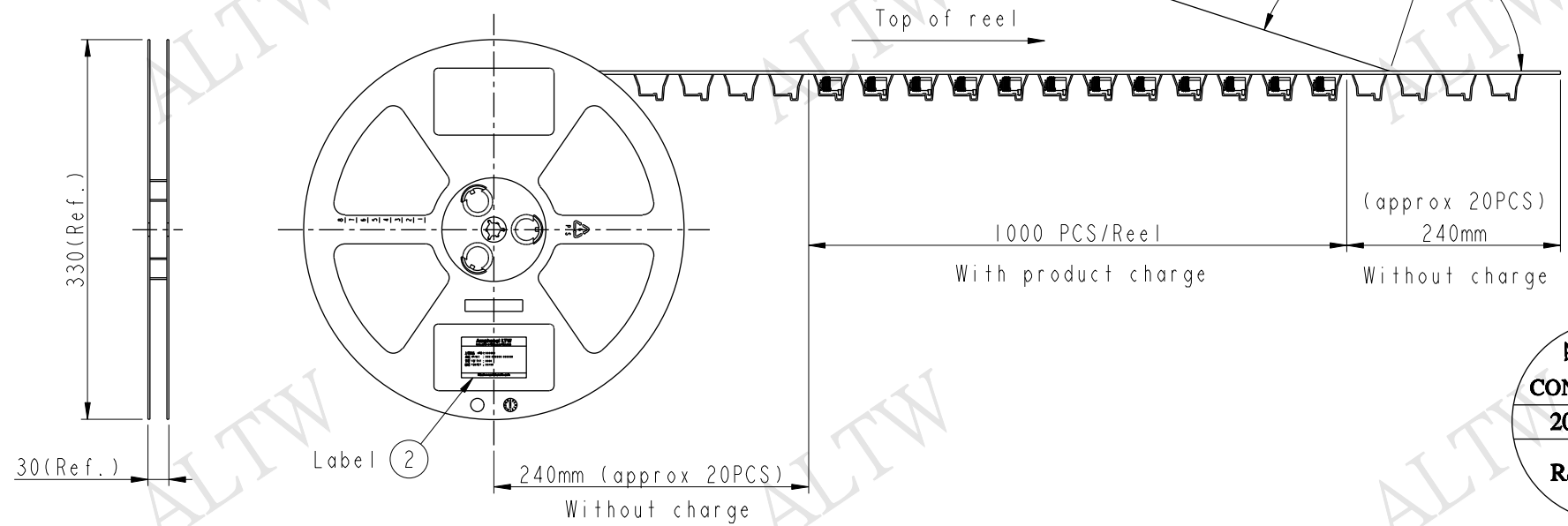
THIS DOCUMENT IS SUBJECT TO CHANGE WITHOUT NOTICE. IT IS CONFIDENTIAL AND A PROPERTY OF Amphenol LTW. DISCLOSURE TO THIRD PARTY HAS TO BE AUTHORIZED BY Amphenol LTW.

Tape & Reel Information:



Wide cover tape ground out periphery 1 turn

Peeling strenght 0.1~1.3N Max.  
(300±10mm/min)  
Peeling angle 165~180°



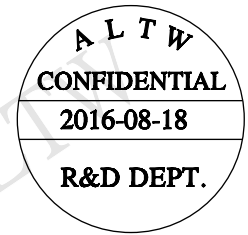
UNIT: mm		
TOLERANCE		
.X	±0.25	
.XX	±0.1	
.XXX	±0.05	
ANGLES	±1°	

TITLE WATERPROOF MICRO-AB USB PANEL 20MAB F CONN JACK LENGHT PIN			
SCALE Free	SIZE A4	SHEET 2 OF 4	
REV. B	WC-REV. A.6	QC: Inspection item	

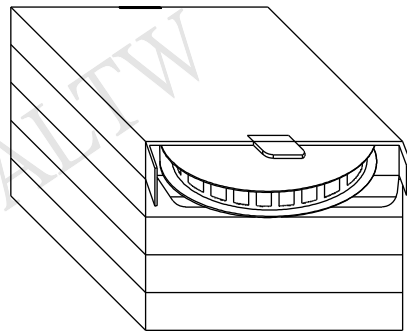
**Amphenol LTW**  
安費諾亮泰企業股份有限公司

ITEM NO	DRAWN BY Jason Yu	DATE 2016/08/18
DWG NO MUC-20PFFR-JSXX02	CHECKED BY Arvin Chan	DATE 2016/08/18
CUSTOMER ALTW	APPROVED BY Kevin Hu	DATE 2016/08/18

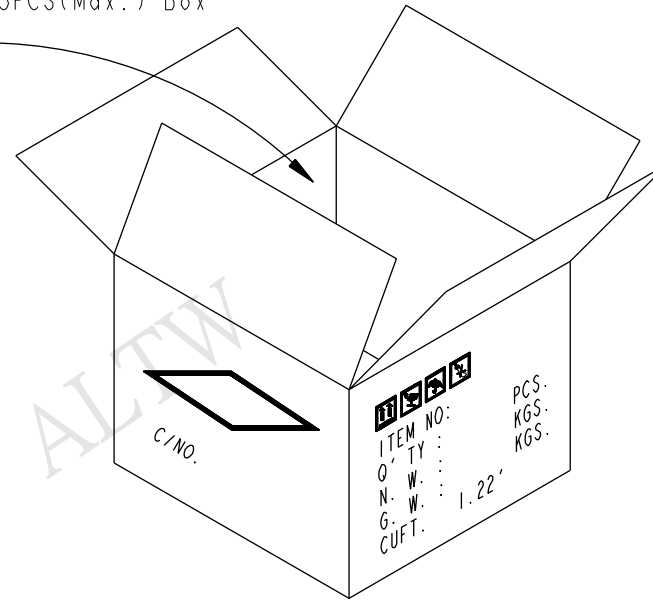
Package :



One Carton can put in the 5PCS(Max.) Box



1000 PCS(Connector)/Tape&Reel, Put in a Box



(5,000 PCS/Carton)

UNIT:mm		
TOLERANCE		
.X	±0.25	
.XX	±0.1	
.XXX	±0.05	
ANGLES	±1°	

TITLE WATERPROOF MICRO-AB USB PANEL 20MAB F CONN JACK LENGHT PIN		
SCALE Free	SIZE A4	SHEET 3 OF 4
REV. B	WC-REV. A.2	QC: Inspection item

**Amphenol LTW**  
安費諾亮泰企業股份有限公司

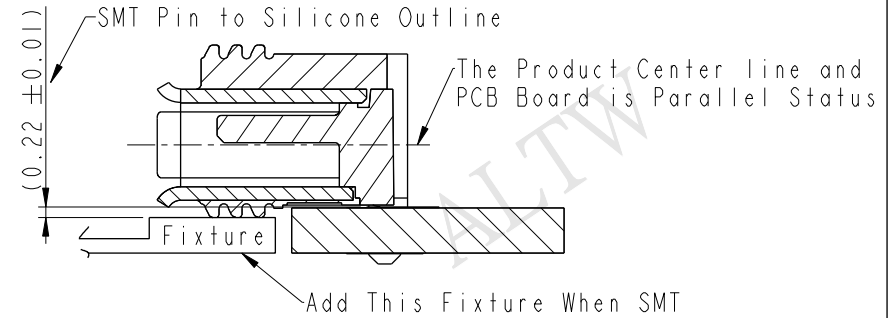
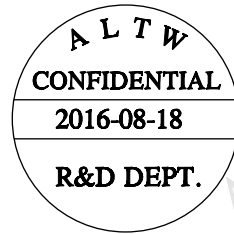
ITEM NO	DRAWN BY	DATE
	Jason Yu	2016/08/18
DWG NO MUC-20PFFR-JSXX02	CHECKED BY Arvin Chan	DATE 2016/08/18
CUSTOMER ALTW	APPROVED BY Kevin Hu	DATE 2016/08/18

ITEM NO	DRAWN BY	DATE
	Jason Yu	2016/08/18
DWG NO MUC-20PFFR-JSXX02	CHECKED BY Arvin Chan	DATE 2016/08/18
CUSTOMER ALTW	APPROVED BY Kevin Hu	DATE 2016/08/18

THIS DOCUMENT IS SUBJECT TO CHANGE WITHOUT NOTICE. IT IS CONFIDENTIAL AND A PROPERTY OF AMPHENOL LTW. DISCLOSURE TO THIRD PARTY HAS TO BE AUTHORIZED BY AMPHENOL LTW.

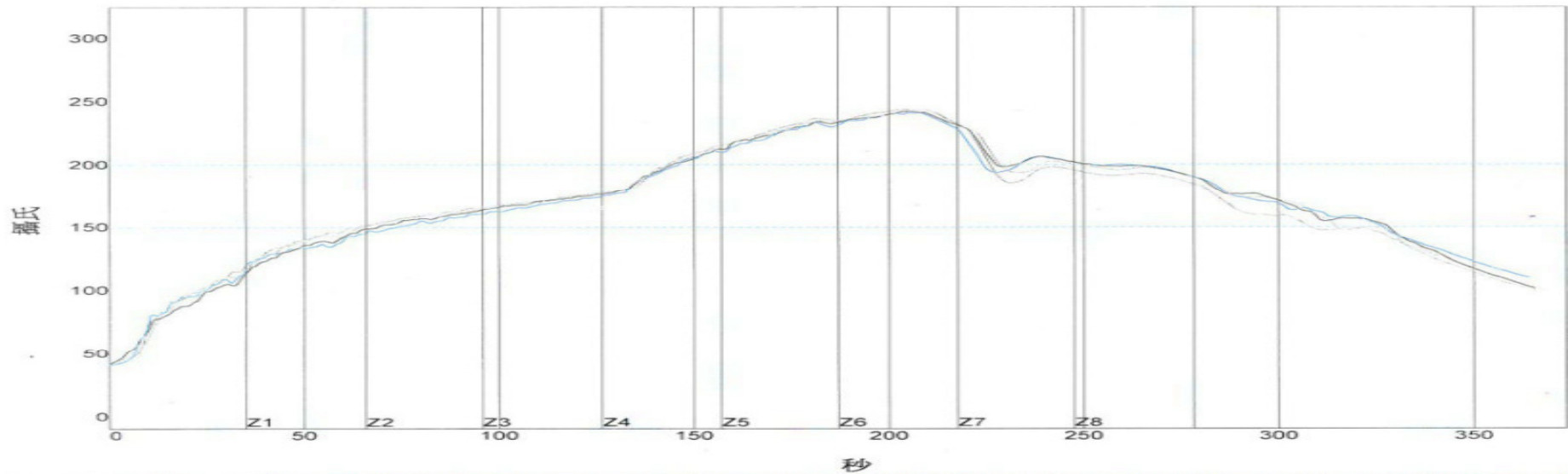
For SMT Process Recommend:

About Fixture:



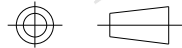
About IR Reflow Profile:

溫度設置 (攝氏)	1	2	3	4	5	6	7	8
溫區								
上溫區	160	180	180	180	190	245	265	260
下溫區	160	180	180	180	190	245	265	260
傳送帶速度 (米/分):	0.95							



PWI= 61%	最高上升斜率	最高下降斜率	恢復時間150至200C	回流時間 /220C	最高溫度					
CON1	2.81	-6%	-2.33	33%	80.21	-33%	60.91	-30%	242.36	-18%
CON2	2.38	-21%	-2.14	43%	75.61	-48%	57.41	-42%	241.74	-22%
CON3	2.81	-6%	-2.84	8%	77.79	-41%	58.66	-38%	243.44	-10%
CON4	2.83	-6%	-2.34	33%	72.24	-59%	51.64	-61%	240.92	-27%
溫差	0.45	0.70			7.97		9.27		2.52	

UNIT: mm



TOLERANCE  
 .X ±0.25  
 .XX ±0.1  
 .XXX ±0.05  
 ANGLES ±1°

TITLE WATERPROOF MICRO-AB USB  
 PANEL 20MAB F CONN JACK LENGHT PIN

SCALE Free SIZE A4 SHEET 4 OF 4  
 REV. B WC-REV. A.2 (QC): Inspection item

**Amphenol LTW**  
 安費諾亮泰企業股份有限公司

ITEM NO	DRAWN BY	DATE
	Jason Yu	2016/08/18
DWG NO	CHECKED BY	DATE
MUC-20PFFR-JSXX02	Arvin Chan	2016/08/18
CUSTOMER	APPROVED BY	DATE
ALTW	Kevin Hu	2016/08/18

THIS DOCUMENT IS SUBJECT TO CHANGE WITHOUT NOTICE. IT IS CONFIDENTIAL AND A PROPERTY OF Amphenol LTW. DISCLOSURE TO THIRD PARTY HAS TO BE AUTHORIZED BY Amphenol LTW.

## X-ON Electronics

Largest Supplier of Electrical and Electronic Components

*Click to view similar products for [USB Connectors](#) category:*

*Click to view products by [Amphenol](#) manufacturer:*

Other Similar products are found below :

[65-647-8-BK-BU](#) [950](#) [E8144-B01021-L](#) [A-USB A-LP-SMT-C](#) [A-USB B-TOP-C](#) [MUSBA511N5](#) [MUSBD11135](#) [217450-1](#) [CA 6 W LD](#)  
[KMBVX-TH-5S-B30](#) [896-30-004-00-000000](#) [KUSBVX-BS1N-W30](#) [KUSBX-AP-KIT-SCBLK](#) [KUSBX-AS2N-W](#) [KUSBX-SMT2AP1S-W](#)  
[KUSBX-SMT2AP1S-W30](#) [935](#) [957](#) [30-498-6](#) [17-210051](#) [1734082-1](#) [30-1574](#) [30-470](#) [30-489](#) [30-541](#) [30-572-3](#) [MAB 8 SN V](#) [A-USB A-](#)  
[2P-C](#) [MIKROE-1451](#) [USBFTV2PEM2G](#) [USBFTVC6ZN](#) [KUSBX-AS2N-W30](#) [KUSBX-SLAS1N-W](#) [KUSBX-SMT-AS1N-W30](#) [4689-1](#) [1-](#)  
[1734084-2](#) [E8110-001-01](#) [MUSBA81130](#) [33UBARS1-04SW11](#) [33UBAR-04SW11](#) [USBF21ZNSCC](#) [USBBFTV6ZC](#) [10135326-001LF](#)  
[M9177/3-1](#) [USB-A-S-F-B-VT](#) [925](#) [4198](#) [690-024-633-031](#) [KUSBEX-BSFS1N-W](#) [USBFTVC6MRG](#)