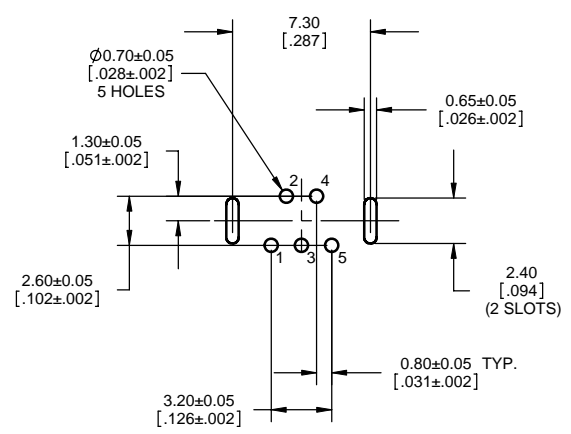
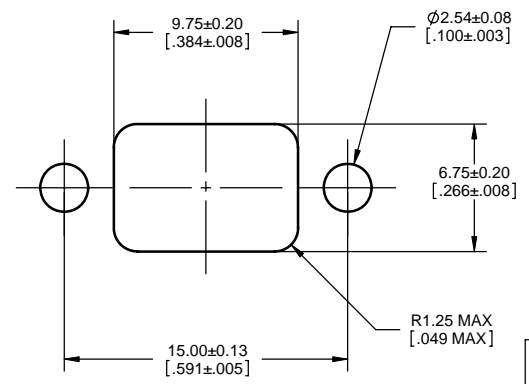


NOTES:

1. MATERIAL:
 ALL MATERIALS ARE RoHS COMPLIANT PER EU DIRECTIVE 2002/95/EC AND AMENDMENTS
 - OUTER SHELL: DIECAST ZINC ALLOY, NICKEL PLATED
 - CONTACTS: PHOSPHOR BRONZE, PLATED WITH 0.76 MICRONS [30u"] GOLD OVER 1.27 MICRONS [50u"] MINIMUM NICKEL ON THE MATING AREA WITH GOLD FLASH OVER NICKEL ON THE TAILS.
 - USB HOUSING: ENGINEERING THERMOPLASTIC, FLAMMABILITY RATING UL94V-0, BLACK.
 - USB SHELL: COPPER ALLOY, NICKEL PLATED
2. ENVIRONMENTAL PERFORMANCE PER IEC 60529 CODE IP67 FOR SEAL BETWEEN MATING AREA AND PCB SIDE OF CONNECTOR. CUSTOMER TO PROVIDE GASKET FOR SEAL TO INSIDE FACE OF ENCLOSURE PANEL.
3. CURRENT RATING: 1 AMPERE.
4. CONTACT RESISTANCE: 50 MILLIOHMS MAXIMUM.
5. OPERATING TEMPERATURE: -40°C TO +105°C.
6. AVAILABLE MATING AREA COVERS PROVIDE ADDED PROTECTION. CONSULT WITH AMPHENOL CANADA FOR DETAILS.



**RECOMMENDED P.C.B. LAYOUT
 COMPONENT SIDE OF BOARD**



RECOMMENDED PANEL CUTOUT

AMPHENOL PART NUMBER: MUSB-B551-042.

UNLESS OTHERWISE SPECIFIED DIMENSIONS ARE IN MILLIMETER TOLERANCES ARE: DECIMALS .XX ± .X ± ANGLES ±	APPROVALS	DATE	Amphenol Canada Corp.		
	DRAWN M.JOHNSTON	FEB08/10			
MATERIAL AND FINISH	DESIGNED		TITLE MUSB SERIES RUGGED MINI-B USB RECEPTACLE, VERTICAL PCB MOUNT, NO MOUNTING HOLE THREADS, NO PANEL GASKET, RoHS COMPLIANT		
	CHECKED K. LAMBIE	FEB08/10			
REF.	QA APP'D		SIZE C	DWG. NO. P-MUSB-B551-042	REV. A
	IE APP'D		SCALE 4:1	PROJECT MUSB	SHEET 1 OF 1
CODE IDENT. NO.	DWG APP'D				

X-ON Electronics

Largest Supplier of Electrical and Electronic Components

Click to view similar products for [USB Connectors](#) category:

Click to view products by [Amphenol](#) manufacturer:

Other Similar products are found below :

[65-647-8-BK-BU](#) [950](#) [E8144-B01021-L](#) [A-USB A-LP-SMT-C](#) [A-USB B-TOP-C](#) [MUSBA511N5](#) [MUSBD11135](#) [217450-1](#) [CA 6 W LD](#)
[KMBVX-TH-5S-B30](#) [896-30-004-00-000000](#) [KUSBVX-BS1N-W30](#) [KUSBX-AP-KIT-SCBLK](#) [KUSBX-AS2N-W](#) [KUSBX-SMT2AP1S-W](#)
[KUSBX-SMT2AP1S-W30](#) [935](#) [957](#) [30-498-6](#) [17-210051](#) [1734082-1](#) [30-1574](#) [30-470](#) [30-489](#) [30-541](#) [30-572-3](#) [MAB 8 SN V](#) [A-USB A-](#)
[2P-C](#) [MIKROE-1451](#) [USBFTV2PEM2G](#) [USBFTVC6ZN](#) [KUSBX-AS2N-W30](#) [KUSBX-SLAS1N-W](#) [KUSBX-SMT-AS1N-W30](#) [4689-1](#) [1-](#)
[1734084-2](#) [E8110-001-01](#) [MUSBA81130](#) [33UBARS1-04SW11](#) [33UBAR-04SW11](#) [USBF21ZNSCC](#) [USBBFTV6ZC](#) [10135326-001LF](#)
[M9177/3-1](#) [925](#) [4198](#) [690-024-633-031](#) [KUSBEX-BSFS1N-W](#) [USBFTVC6MRG](#) [UA-20BMFA-SL8001](#)