

REVISIONS			
REV	ECN, ERN NO.	DATE	APPRD.
F	PRODUCT DWG (EAR 13525)	MAY04/09	K.L.

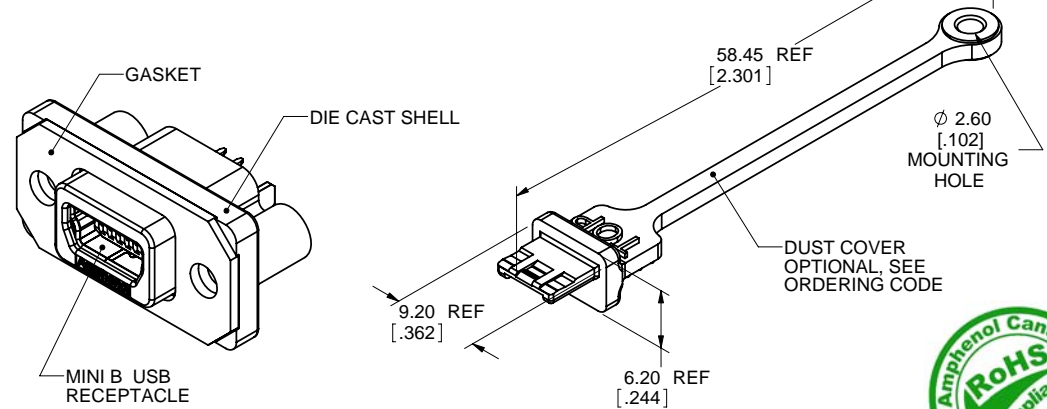
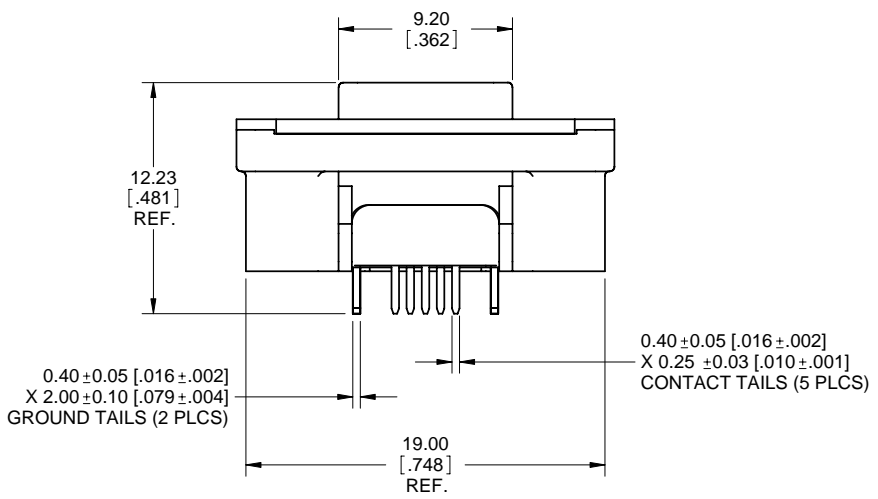
ORDERING CODE: MUSB-B551-XX

SERIES, RUGGED USB

USB 'MINI-B' RECEPTACLE, SINGLE PORT, VERTICAL PCB TAILS

THREAD OPTION
 0 = #2-56 UNC THREAD
 N = M2.5 X 0.45 THREAD

DUST COVER OPTION
 0 = NO DUST COVER SUPPLIED
 1 = WITH GREY DUST COVER SUPPLIED
 4 = NO DUST COVER SUPPLIED
 5 = WITH BLACK DUST COVER SUPPLIED
 NOTE: THERE IS NO DIFFERENCE BETWEEN DUST COVER OPTIONS '0' AND '4'



NOTES:

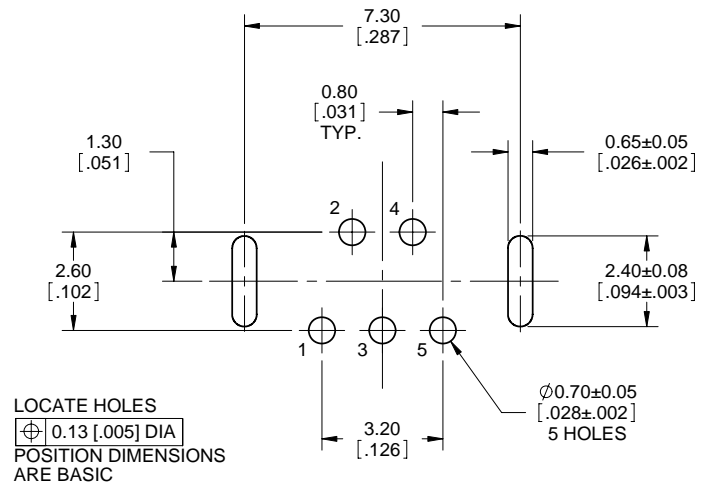
- MATERIAL:**
 ALL MATERIALS ARE RoHS COMPLIANT PER EU DIRECTIVE 2002/95/EC AND AMENDMENTS
 - OUTER SHELL: DIE CAST ZINC ALLOY, NICKEL PLATED
 - CONTACTS: PHOSPHOR BRONZE, PLATED WITH 0.76 MICRONS (30u") GOLD OVER 1.27 MICRONS (50u") MINIMUM NICKEL ON THE MATING AREA WITH GOLD FLASH OVER NICKEL ON THE TAILS.
 - USB HOUSING: ENGINEERING THERMOPLASTIC, FLAMMABILITY RATING UL94V-0, BLACK.
 - USB SHELL: COPPER ALLOY, NICKEL PLATED
 - GASKET: PORON WITH ADHESIVE BACKING.
 - DUST COVER: SILICONE RUBBER WITH NICKEL PLATED COPPER ALLOY BUSHING.
- ENVIRONMENTAL PERFORMANCE PER IEC 60529 CODE IP67 FOR SEAL BETWEEN MATING AREA AND PCB SIDE OF CONNECTOR. GASKET PROVIDES SEAL TO INSIDE FACE OF ENCLOSURE PANEL. AVAILABLE DUST COVER PROVIDES ADDED PROTECTION.**
- CURRENT RATING: 1 AMPERE.**
- CONTACT RESISTANCE: 50 MILLIOHMS MAXIMUM.**
- OPERATING TEMPERATURE: -40°C TO +105°C.**
- DUST COVERS MAY BE ORDERED SEPARATELY. SPECIFY**
 - MUSB-2E151-005BP FOR GREY DUST COVER
 - MUSB-2E151-015BP FOR BLACK DUST COVER**SEE PAGE 2 FOR APPLICATION VIEW.**
- CONNECTOR SEAL TO WITHSTAND 34.5 KPa (5 PSI) PRESSURE AFTER TEMPERATURE EXPOSURE OF 150°C FOR 180 SECONDS (CONNECTOR PRE-HEAT) AND 265°C FOR 8 SECONDS (SOLDER DIP TAILS).**
- RECOMMENDED TORQUE FOR PANEL MOUNT SCREWS: 0.23 TO 0.34 Nm (2.00 TO 3.00 IN-LBS) FOR STEEL SCREWS WITH 3.00 (.118) THREAD ENGAGEMENT.**



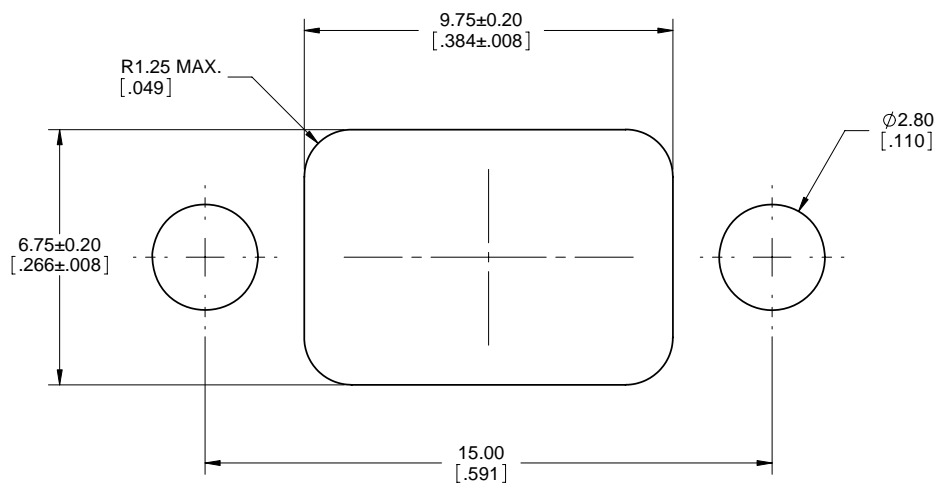
DO NOT SCALE DRAWING
 THIS DOCUMENT CONTAINS PROPRIETARY INFORMATION AND SUCH INFORMATION MAY NOT BE DISCLOSED TO OTHERS FOR ANY PURPOSE OR USED FOR MANUFACTURING PURPOSES WITHOUT PERMISSION FROM AMPHENOL CANADA CORP.

UNLESS OTHERWISE SPECIFIED DIMENSIONS ARE IN MILLIMETERS TOLERANCES ARE: DECIMALS .XX ± 0.15 ANGLES	APPROVALS	DATE	Amphenol Canada Corp.		
	DRAWN S.SEMENOV	FEB23/07			
MATERIAL AND FINISH	DESIGNED S.SEMENOV	FEB23/07	TITLE MUSB SERIES RUGGED MINI-B USB RECEPTACLE, VERTICAL PCB MOUNT, METAL SHELL, RoHS COMPLIANT		
	CHECKED				
	QA APP'D				
REF. EAR 13430	IE APP'D		SIZE C	DWG. NO. P-MUSB-B551-XX	REV. F
	DWG APP'D A.GREEN	FEB23/07	SCALE 5:1	PROJECT MUSB	SHEET 1 OF 2
CODE IDENT. NO.					

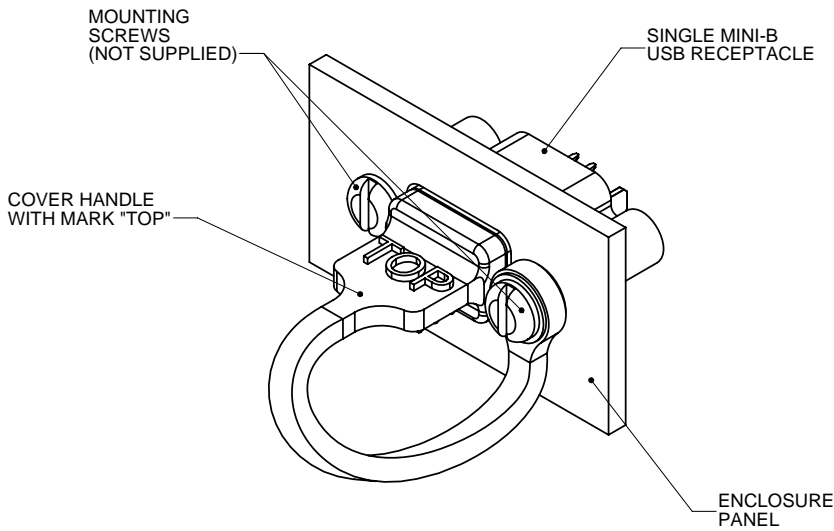
REVISIONS			
REV	ECN, ERN NO.	DATE	APPRD.
F	PRODUCT DWG (EAR 13525)	MAY04/09	K.L.



RECOMMENDED P.C.B. LAYOUT
 COMPONENT SIDE OF BOARD
 SCALE 10:1



RECOMMENDED PANEL CUTOUT
 SCALE 10:1



DUST COVER APPLICATION



UNLESS OTHERWISE SPECIFIED DIMENSIONS ARE IN MILLIMETERS TOLERANCES ARE: DECIMALS .XX ± 0.15 ANGLES	APPROVALS	DATE	Amphenol Canada Corp.		
	DRAWN S.SEMENOV	FEB23/07			
MATERIAL AND FINISH	DESIGNED S.SEMENOV	FEB23/07	TITLE MUSB SERIES RUGGED MINI-B USB RECEPTACLE, VERTICAL PCB MOUNT, METAL SHELL, RoHS COMPLIANT		
	CHECKED				
REF. EAR 13430	QA APP'D		SIZE C	DWG. NO. P-MUSB-B551-XX	REV. F
	IE APP'D		SCALE 5:1	PROJECT MUSB	SHEET 2 OF 2
CODE IDENT. NO.	DWG APP'D A.GREEN	FEB23/07			

DO NOT SCALE DRAWING
 THIS DOCUMENT CONTAINS PROPRIETARY INFORMATION AND SUCH INFORMATION MAY NOT BE DISCLOSED TO OTHERS FOR ANY PURPOSE OR USED FOR MANUFACTURING PURPOSES WITHOUT PERMISSION FROM AMPHENOL CANADA CORP.

X-ON Electronics

Largest Supplier of Electrical and Electronic Components

Click to view similar products for [USB Connectors](#) category:

Click to view products by [Amphenol](#) manufacturer:

Other Similar products are found below :

[65-647-8-BK-BU](#) [950](#) [E8144-B01021-L](#) [A-USB A-LP-SMT-C](#) [A-USB B-TOP-C](#) [MUSBA511N5](#) [MUSBD11135](#) [217450-1](#) [CA 6 W LD](#)
[KMBVX-TH-5S-B30](#) [896-30-004-00-000000](#) [KUSBVX-BS1N-W30](#) [KUSBX-AP-KIT-SCBLK](#) [KUSBX-AS2N-W](#) [KUSBX-SMT2AP1S-W](#)
[KUSBX-SMT2AP1S-W30](#) [935](#) [957](#) [30-498-6](#) [1734082-1](#) [30-1574](#) [30-470](#) [30-489](#) [30-541](#) [30-572-3](#) [MAB 8 SN V](#) [A-USB A-2P-C](#)
[MIKROE-1451](#) [USBFTV2PEM2G](#) [USBFTVC6ZN](#) [KUSBX-AS2N-W30](#) [KUSBX-SLAS1N-W](#) [KUSBX-SMT-AS1N-W30](#) [4689-1](#) [1-](#)
[1734084-2](#) [E8110-001-01](#) [MUSBA81130](#) [33UBARS1-04SW11](#) [33UBAR-04SW11](#) [USBF21ZNSCC](#) [USBBFTV6ZC](#) [10135326-001LF](#)
[M9177/3-1](#) [925](#) [4198](#) [690-024-633-031](#) [KUSBEX-BSFS1N-W](#) [USBFTVC6MRG](#) [UA-20BMFA-SL8001](#) [17-200011](#)