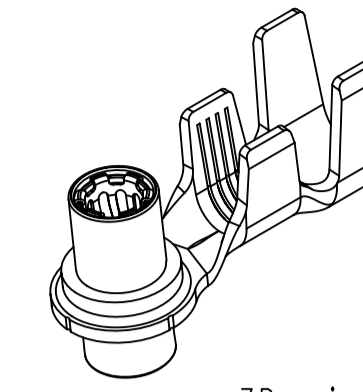
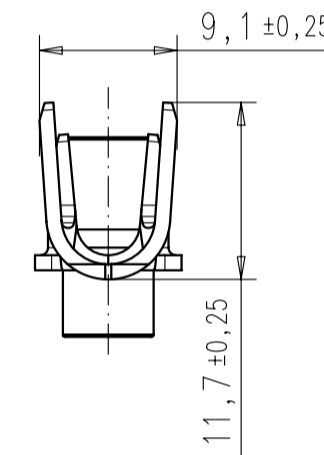
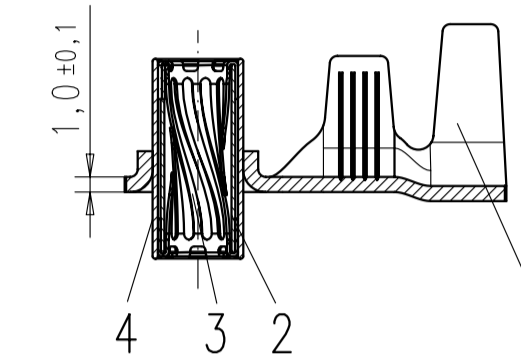


TERMINAL INFORMATION															
FORD part-no.	supplier part-no.	description	greased	base material	plating material	plating thickness	copper weight	total weight	material thickness	max. ambient temp.	conductor min./max. CSA	insulation min./max. OD	mating parts		
													FORD part-no.	supplier-no.	description
DUST-14487-BA	N 02 036 6109 002	Radsok element	no	CuCoBe/C17500	Ag	3-6µm	4,20g	4,25g	1mm	max. +125°C	10qmm	6,0±0,5mm			contact pin
		crimp terminal		Cu-ETP/C11000	Sn	3-5µm									

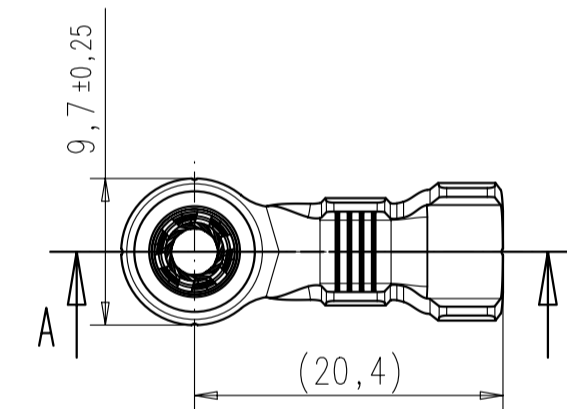
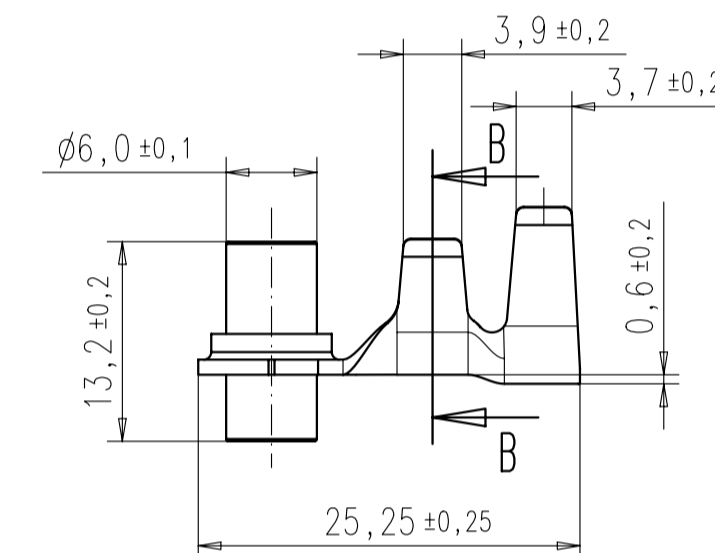
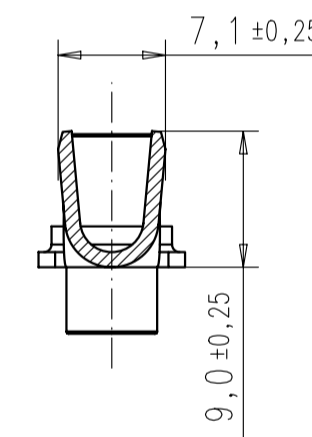


3D view

section A-A



section B-B



item	quantity	description	plating
1	1	crimp terminal	Cu/Sn3-5
2	1	inner sleeve	Cu/Ag3-6 pas
3	1	contact grid	
4	1	outer sleeve	

- crimp socket contact for Ø3,6mm pin contact
- accepts cable size 10qmm
- parts have to be processed accd. to Amphenol crimp specification N50 360 5001
- mating force single contact: 9N±5N
- mating cycles single contact: 1000

TERMINAL CRIMP & GRIP REFERENCE TABLE								
FORD part-no.	wire type/specification	wire size	strip length	conductor crimp info		insulator crimp info		notes
				C.C.W.	C.C.H.	I.C.W.	I.C.H.	
DUST-14487-BA	FLRY 10,0-B B-crimp	10qmm	6,5±1mm	6,5±0,15mm	3,7±0,15mm	7,9±0,15mm	7,1±0,15mm	

VALIDATED CRIMP TOOL DIMENSIONS							
FORD part-no.	supplier part-no.	dim A	dim B	dim C	dim D	dim E	dim F
	23.98 N02 036 610X (001)-62.58-12*	released crimp tool from Schaefer company/Germany					
	23.99 N02 036 610X (001)-U-75.60						
	23.96 N02 036 610X (001)-62.75						

Weitergabe sowie Vervielfältigung dieser Unterlage, Verwertung und Mitteilung ihres Inhalts nicht gestattet, soweit nicht ausdrücklich zugestanden. Zuwiderhandlungen verpflichten zu Schadensersatz. Alle Rechte für den Fall der Patenterteilung oder Gebrauchsmuster-Eintragung vorbehalten.

Copying of this document and giving it to others and the use or communication of the contents thereof, are forbidden without express authority. Offenders are liable to the payment of damages. All rights are reserved in the event of the grant of a patent or the registration of the utility model or design.

Masse (rechnerisch)/Calc. Wt:	9	Zul. Abw./Tolerances:		Maßstab/Scale	2:1	A1	
Prüfmaß/Testdimension							
Teilindex Partindexnumber							
		11	Datum/Date	Name			
		Bez.	20.12.	Annecke			
		Druck.					
		Gepr.					
		Checked					
04	201200458	17.07.12	AN				
03	201200190	14.03.12	AN				
01	201100048	18.01.12	AN				
Index	Anderung/Description	Datum/Date	Name				
				Amphenol-Tuchel Electronics GmbH			
				M	N 02 036 6109 002	1	Bl.
				Ers. / Replacement for:			

CUSTOMER DRAWING FORD

Crimpkontaktbuchse 3.6mm
socket contact HCC 3,6 connector FORD

M N 02 036 6109 002

Ers. / Replacement for:

X-ON Electronics

Largest Supplier of Electrical and Electronic Components

Click to view similar products for [Heavy Duty Power Connectors](#) category:

Click to view products by [Amphenol](#) manufacturer:

Other Similar products are found below :

[647757-1](#) [6643411-1](#) [6646058-2](#) [6646137-1](#) [6646138-1](#) [6646479-1](#) [6646608-1](#) [6646786-1](#) [6646940-1](#) [6651091-1](#) [6651525-1](#) [6651529-1](#)
[6651788-1](#) [696475-1](#) [73000005059](#) [73000005642](#) [765-15-0080A](#) [765-16-0080B](#) [829992-1](#) [902-77-02113](#) [129-1J](#) [AN0024023](#) [E6374G1](#)
[e6389g2](#) [157-43GW8](#) [MS3117-14AC](#) [1643543-1](#) [1650540-1](#) [1651811-2](#) [1766260-1](#) [1766282-1](#) [1766966-1](#) [1791340000](#) [NLDFT-3-BL-L-](#)
[S120-M40A](#) [NLDFT-N-W-L-C240-M40B](#) [NLS-2-R-C240-M40B](#) [NLS-N-W-C240-M40B](#) [NPS-3-BL-T6](#) [1986615-1](#) [2-1589900-8](#) [2199314-1](#)
[KA8102](#) [9300480317](#) [SBS50BRN#6](#) [29131](#) [29652](#) [1646905-1](#) [1648320-1](#) [1648582-1](#) [1650195-2](#)