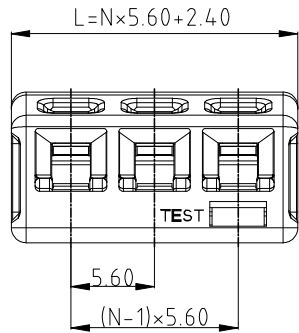
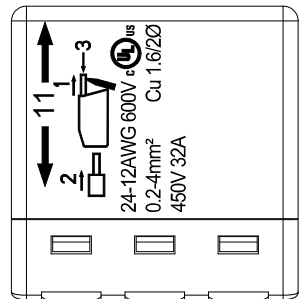
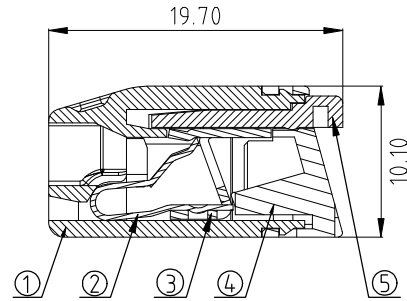


REV	SIGN	DATE	DESCRIPTION	APPROVER
B		2020.04.17	Initial Release	
THIS IS CAD DRAWING, DO NOT REVISE MANUALLY!!!				



(N= NUMBER OF POLES)



Electrical

- Voltage rating: UL 600V (IEC 450V)
- Current rating: UL 35A (IEC 32A)
- Wire range: 0.2-4mm²
- Solid wire(AWG): 12-24
- Stranded wire(AWG): 12-24
- Wire strip length: 11-12mm
- Withstanding Voltage: 3.4KV
- Insulation resistance: 500MΩ@DC500V
- Operating temperature: -40 to +85°C
- Safety Approval: UL to be certified
- Poles: 2P, 3P, 5P

Material

- Item ① Terminal housing: PC
- Item ② Terminal Clamp: Stainless steel
- Item ③ Conductor: Copper
- Item ④ Terminal Cover: PC
- Item ⑤ Terminal lever: PA66

N3 XX 00 X 0 XXXX G

No. of Poles

- 02 2 Poles
- 03 3 Poles
- 05 5 Poles

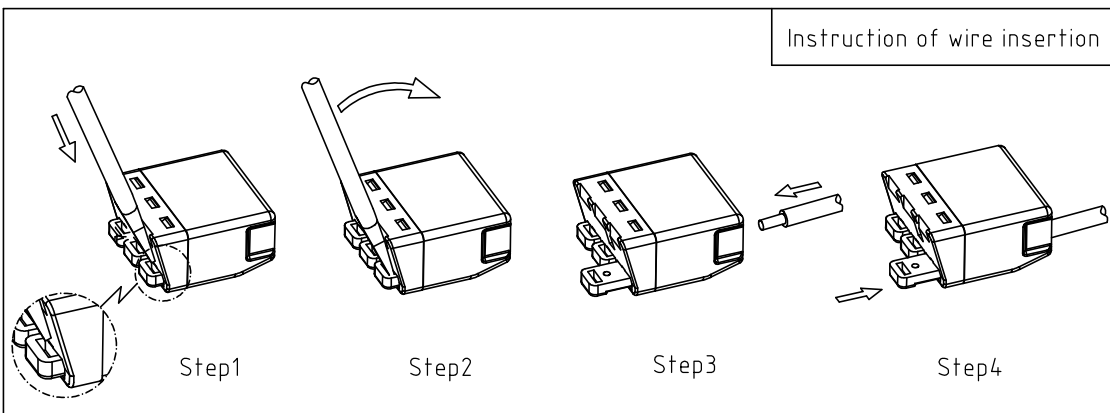
Lever Color

3 Orange

RoHS compliant
(lead<4%)

0000: "@" Mark (Standard)

Instruction of wire insertion



Amphenol ANYTEK		CUSTOMER COPY		
<small>ALL RIGHTS RESERVED. REPRODUCTION OR ISSUE TO THIRD PARTIES IN ANY FORM WHATSOEVER IS NOT PERMITTED WITHOUT WRITTEN AUTHORITY FROM THE PROPRIETOR. PROPERTY OF ANYTEK TECHNOLOGY CO., LTD</small>				
TITLE	N3 Pitch5.60 2P/3P/5P 本體透明(PC) 壓板橙色(NL66)			
PART NO.	N3xx00300000G	DWG NO.	8N30002	
APPROVED	CHECKED	DESIGNED	DRAWN	CUST NO.
		Devin 2020.04.17	Devin 2020.04.17	
				Tolerance X. ±0.50 X.X ±0.30 X.XX ±0.10 X° ±1°
		SHEET: 01/01		UNIT: mm SCALE: 2:1 REV.: B

X-ON Electronics

Largest Supplier of Electrical and Electronic Components

Click to view similar products for [Fixed Terminal Blocks](#) category:

Click to view products by [Amphenol](#) manufacturer:

Other Similar products are found below :

[MBE-1512](#) [MBE-154](#) [MBE-156](#) [MBES-153](#) [MBES-156](#) [MH-2512](#) [MHE-132](#) [MHE-163](#) [MI-254 \(35\)](#) [MI-272](#) [880507](#) [MPT-275](#)
[15602-04-08-21](#) [BA311TU](#) [BA411SU](#) [MV-152](#) [MV-252-D](#) [MV-253/NCNOC](#) [MV-254-D](#) [MV-255](#) [MV-462](#) [MV-493](#) [MVE-252](#) [MVE-253](#)
[MVE-273](#) [MVEB-153](#) [1700096](#) [1705142](#) [1745195](#) [1760594](#) [1776118-2](#) [1-796689-8](#) [1-796692-6](#) [20020314-C121B01LF](#) [CB2-12](#)
[KP03215000J0G](#) [KP04215000J0G](#) [S451](#) [282802-2](#) [29.007](#) [29.116](#) [30.103](#) [30.106](#) [30.252](#) [30.503](#) [30.608](#) [30.753](#) [30.755](#) [30.756](#) [30.853](#)