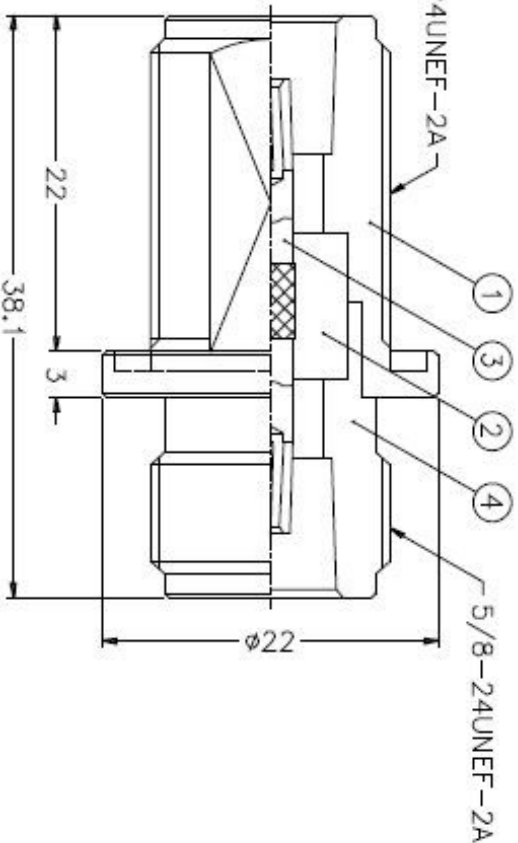
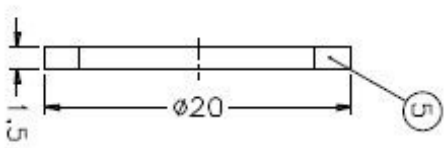
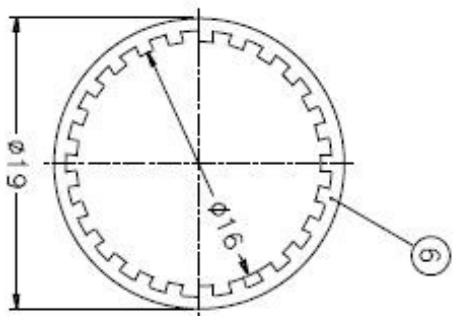
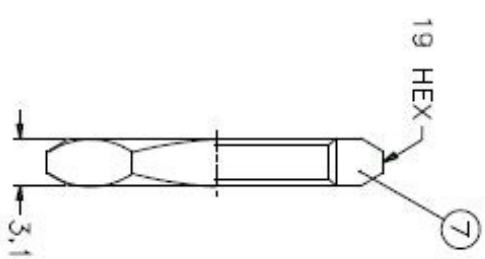
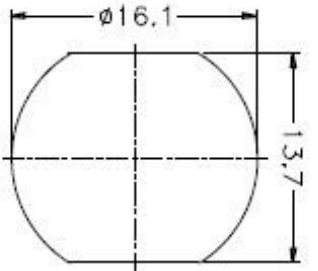


ISS	ZONE	DESCRIPTION \ PER REQUEST \ DATE



NOTES: FINISH (PLATING THICKNESS IN MICRO-INCHES)

1. BRASS PER QQ-B-826
2. BRASS PER QQ-B-813
3. NICKEL PL 100 MIN. THICK OVER COPPER STRIKE
4. PHOSPHOR BRONZE PER QQ-B-750
5. GOLD PL 3 MIN. THICK OVER NICKEL PL 100 MIN. THICK OVER COPPER STRIKE
6. PTFE MIL-P-19468

1. MAX. PANEL THICKNESS=3.2mm

NO.	DESCRIPTION	MATERIAL	FINISH	QTY	DRAWING NO.
7	HEX NUT	NOTE 1	NOTE 3	1	HN19-5/8-24X31
6	LOCK WASHER	NOTE 2	NOTE 3	1	LW-19/16X05
5	GASKET	SILICONE	RED	1	GS-20/16X15
4	BODY	NOTE 1	NOTE 3	1	N7910-4
3	CONTACT PIN	NOTE 4	NOTE 5	1	N7900-3
2	INSULATOR	NOTE 6	NATURAL	1	N7900-2T-50-B
1	HOUSING	NOTE 1	NOTE 3	1	N7910-1

DIMENSIONS ARE IN MILLIMETERS	
UNLESS OTHERWISE SPECIFIED	TOLERANCES
0.5-6	±0.2
6-30	±0.4
30-120	±0.5
120-315	±1
315-1000	±1.6
1000-2000	±2.4

PART NO.	N7471A1-NT3G-50
APPROVED	DATE
CHECKED	DATE
DRAWN	DATE

Amphenol	
TITLE N FEMALE TO FEMALE BULKHEAD ADAPTOR	
DRAWING NO.	KJ-N7471A1-NT3G-50
ITEM NO.	

A

B

C

D

E

F

A

B

C

D

E

F

1 2 3 4 5 6 7 8

X-ON Electronics

Largest Supplier of Electrical and Electronic Components

Click to view similar products for [amphenol manufacturer](#):

Other Similar products are found below :

[CTV06RGQF-17-52P](#) [CTVPS00RGF-23-6P-LC](#) [JTPQ00RT-16-35P\(453\)](#) [GC835TY2S](#) [CF-509621-29P](#) [BF8-1218-31SV-Y70](#) [TVP00RGW-23-6SA\(LC\)](#) [RNJ27CI1535P014](#) [10-553998-139](#) [21-033388-031](#) [10-507142-843](#) [GTS02R20-15P-025-116](#) [GTS06G-32-7S](#) [GTC06-36-78PX-023](#) [ACC02E28-51S-003-B30-LC](#) [TV06RL-13-35SD-LC](#) [TV06RL-13-35SD](#) [TV06RL-13-98SD-LC](#) [TV06RL-13-98SD](#) [GTC08AF32-15SX-B30-LC](#) [GTC06G32-76PZ](#) [TVP00RW-23-53AD](#) [100-007-213-002-001](#) [5M30-61](#) [JT07RT-22-14PB-453](#) [FSPP-103-00-004](#) [360031](#) [10-037090-161](#) [10-541504-001](#) [10-580902-409](#) [TV97RW-9-9S\(S15\)](#) [TVPS00RGF-9-5P-LC](#) [TVPS00RGF-9-5PA-LC](#) [TVP00RGQW-21-75P-LC](#) [TV06RW-25-90AE](#) [97-3108B16S-5PW-417](#) [PT06J20-24SW](#) [97-3108B16S-4PY-417](#) [97-3108B16S-4PX-417](#) [97-3108B16S-5PY-417](#) [97-3108B16S-4PW-417](#) [CS-DSDMDB37MF-025](#) [97-3108B16S-5PZ-417](#) [TV06RW-25-46AE](#) [TVS07RF-21-16AA](#) [TVS07RF-21-39BA](#) [60261626SNCOND1](#) [SE00TVW09](#) [CF-5A9013-04N](#) [CF-6A4615-06N](#)