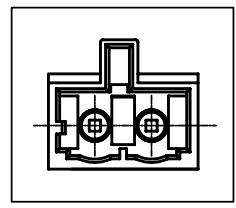
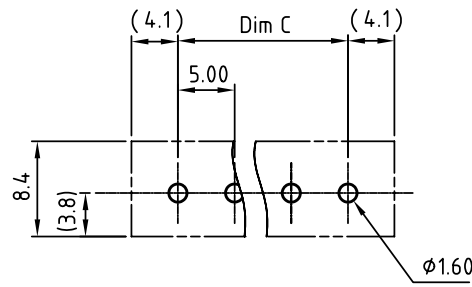
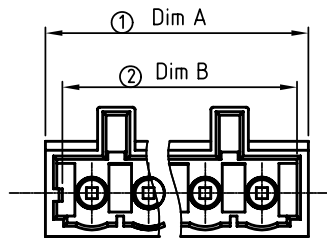


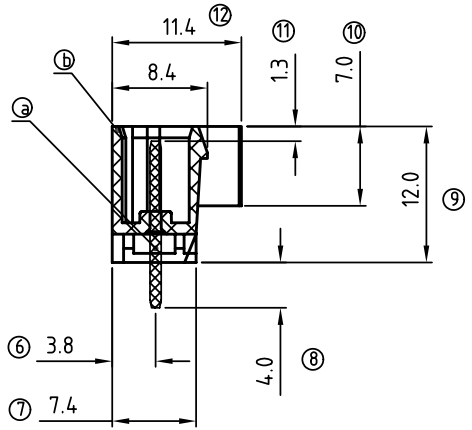
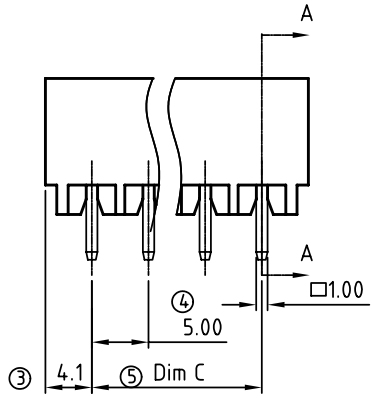
SIGN	DATE	DESCRIPTION	APPROVER
△			
THIS IS CAD DRAWING, DO NOT REVISE MANUALLY!!!			



2P mark

Material:

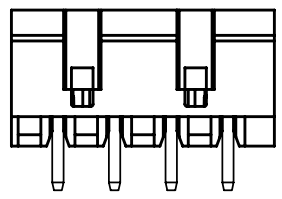
- Item a :Male contact pin: Copper Tin plated
- Item b :Terminal(housing): Thermoplastic (UL94V-0)
- Electrical: cULus
- Voltage rating: 300V
- Current rating: 8A
- Withstanding Voltage: 1.6 KV
- Operating temperature: -40°C to +115°C
- Soldering temperature: 250°C±10°C/5 Sec
- Safety Approval: us



SECTION A-A

NC xx 7 2 x 0 xxxx G

- | | | |
|-------------|--|-----------------|
| 02 2 poles | 0 Black (RAL9005) | G: Pb<40,000ppm |
| 03 3 poles | 2 Red (RAL3001/D) | |
| | 3 Orange(RAL2011/P) | |
| 24 24 poles | 4 Yellow(RAL1018/A) | |
| | 5 Green(RAL6018/T) | |
| | 6 Blue (RAL5015/A) | |
| | 8 Grey(RAL7035/D) | |
| | any special item by customer request, please contact sales department. | |



N = Number of poles
 Dim A=Nx5.0+3.2
 Dim B=Nx5.0+0.7
 Dim C=(N-1)x5.0

	Dim A	Dim B	Dim C
2-6p	±0.20	^{+0.15} ₋₀	±0.20
6-12p	±0.30	^{+0.3} ₋₀	±0.30
12-24p	±0.40	^{+0.4} ₋₀	±0.40

ANYTEK				CUSTOMER COPY			
<small>ALL RIGHTS RESERVED. REPRODUCTION OR ISSUE TO THIRD PARTIES IN ANY FORM WHATSOEVER IS NOT PERMITTED WITHOUT WRITTEN AUTHORITY FROM THE PROPRIETOR. PROPERTY OF ANYTEK TECHNOLOGY CO., LTD</small>							
TITLE		NC 5.0mm Vertical W/hook holder (100% protected against mismatching)					
PART NO.		NCxx72x0xxxxG		DWG NO.		8NC0003	
APPROVED		CHECKED	DESIGNED	DRAWN	CUST NO.		Tolerance
			Runner	Runner			X. ±0.50
			2010.08.11	2010.08.11			X.X ±0.30
					SHEET: 01/01		X.XX ±0.10
					REV.: B		X° ±1°

X-ON Electronics

Largest Supplier of Electrical and Electronic Components

Click to view similar products for [Pluggable Terminal Blocks](#) category:

Click to view products by [Amphenol](#) manufacturer:

Other Similar products are found below :

[57.510.0053](#) [MC 1.5/ 6-ST-3.5 GY AU](#) [734-104](#) [734-302](#) [8-141-P](#) [8426620000](#) [860505](#) [860810](#) [GBPACX-12](#) [93.731.4953.0](#) [PV05-5,08-K](#)
[PVP04-3,50](#) [PVS02-5,00](#) [1-1986160-3](#) [1377680000](#) [1531000000](#) [1546228-5](#) [ELFH16150](#) [ELFP03110](#) [ELFP10210](#) [ELFT06250](#)
[ELVP03100](#) [1700410](#) [1700425](#) [1702246](#) [1717806](#) [1719600](#) [1734692](#) [1734795](#) [1740291](#) [1752441](#) [1752865](#) [1754144](#) [1760051](#) [1760336](#)
[1777701](#) [1783410](#) [1800227](#) [1801080](#) [1836888](#) [1848818](#) [1849079](#) [1860870](#) [1876327](#) [1896417](#) [1903096](#) [19346](#) [1946309](#) [1970579](#) [1973592](#)