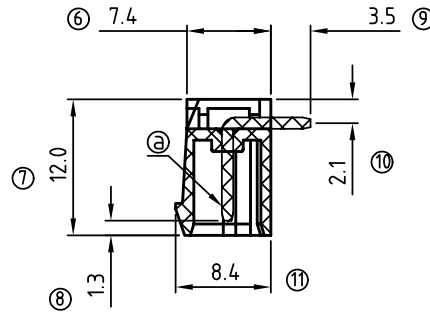
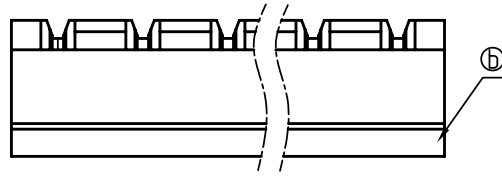


SIGN	DATE	DESCRIPTION	APPROVER

THIS IS CAD DRAWING, DO NOT REVISE MANUALLY!!!



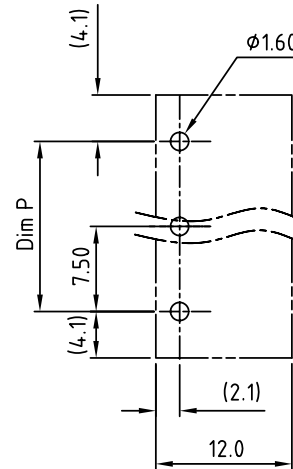
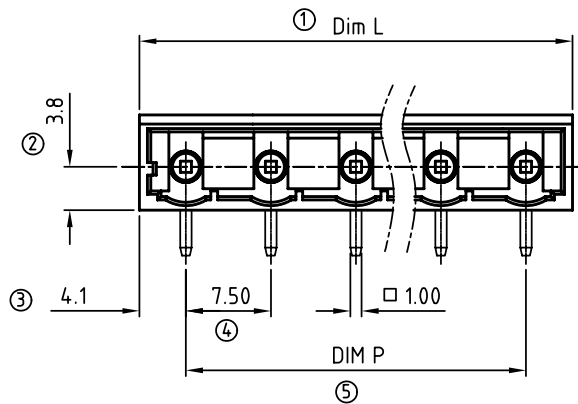
SECTION A-A

Material:

- Item a :Male contact pin: Copper Tin plated
- Item b :Terminal(housing): Thermoplastic (UL94V-0)

Electrical: cULus

- Voltage rating: 300V
- Current rating: 8A
- Withstanding Voltage: 1.6 KV
- Operating temperature: -40°C to +115°C
- Soldering temperature: 250°C±10°C/5 Sec
- Safety Approval:



P.C.B LAYOUT

NC xx A 1 x 1 xxxx G

- 02 2 poles
- 03 3 poles
-
- 16 16 poles

- COLOR**
- 0: BLACK
 - 5: GREEN (RAL6018/T)
 - 6: BLUE
 - 8: GREY (RAL7035/D)

- G: RoHS compliant (lead<4%) In copper Alloy
- H: RoHS compliant (lead<1000ppm) In copper Alloy

0000: Standard
Any special item by customer request.
please contact sales department.

N = Number of poles
Dim L=(Nx7.5)+0.7
Dim P=(N-1)x7.5

	Dim L	Dim P
2-6p	±0.10	±0.10
7-12p	±0.25	±0.20
13-16p	±0.40	±0.30

ANYTEK

CUSTOMER COPY

ALL RIGHTS RESERVED. REPRODUCTION OR ISSUE TO THIRD PARTIES IN ANY FORM WHATSOEVER IS NOT PERMITTED WITHOUT WRITTEN AUTHORITY FROM THE PROPRIETOR. PROPERTY OF ANYTEK TECHNOLOGY CO., LTD

TITLE		NC 7.5mm Right angle Series			
PART NO.		NCxxA1x1xxxxG		DWG NO.	8NC1302
APPROVED	CHECKED	DESIGNED	DRAWN	CUST NO.	
		Runner	Runner		
		2010.06.10	2010.06.10		
					Tolerance
					X. ±0.50
					X.X ±0.30
					X.XX ±0.10
					X° ±1°

X-ON Electronics

Largest Supplier of Electrical and Electronic Components

Click to view similar products for [Pluggable Terminal Blocks](#) category:

Click to view products by [Amphenol](#) manufacturer:

Other Similar products are found below :

[57.510.0053](#) [MC 1.5/ 6-ST-3.5 GY AU](#) [734-104](#) [734-302](#) [8-141-P](#) [8426620000](#) [860505](#) [860810](#) [GBPACX-12](#) [93.731.4953.0](#) [PV05-5,08-K](#)
[PVP04-3,50](#) [PVS02-5,00](#) [1-1986160-3](#) [1377680000](#) [1531000000](#) [1546228-5](#) [ELFH16150](#) [ELFP03110](#) [ELFP10210](#) [ELFT06250](#)
[ELVP03100](#) [1700410](#) [1700425](#) [1702246](#) [1717806](#) [1719600](#) [1734692](#) [1734795](#) [1740291](#) [1752441](#) [1752865](#) [1754144](#) [1760051](#) [1760336](#)
[1777701](#) [1783410](#) [1800227](#) [1801080](#) [1836888](#) [1848818](#) [1849079](#) [1860870](#) [1876327](#) [1896417](#) [1903096](#) [19346](#) [1946309](#) [1970579](#) [1973592](#)