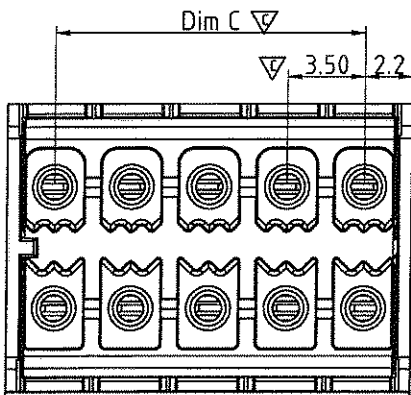
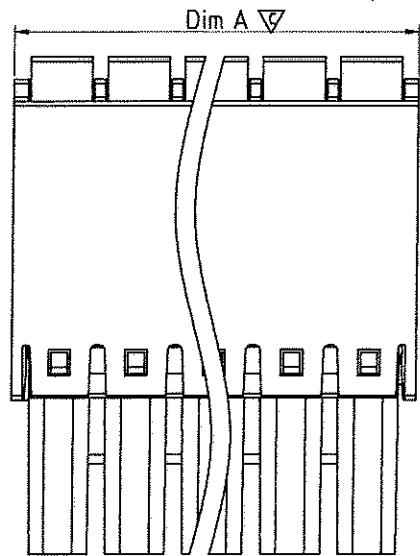
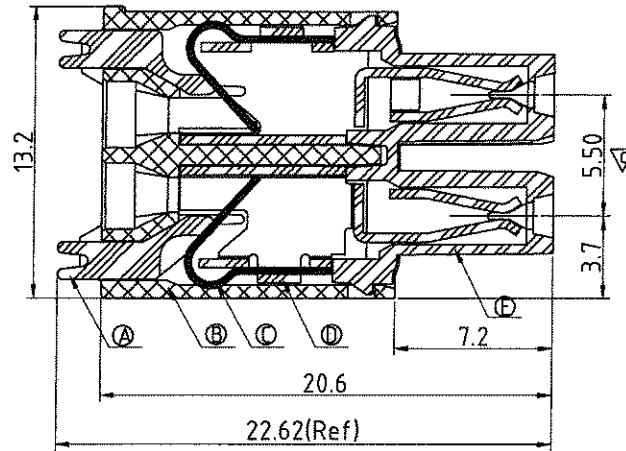
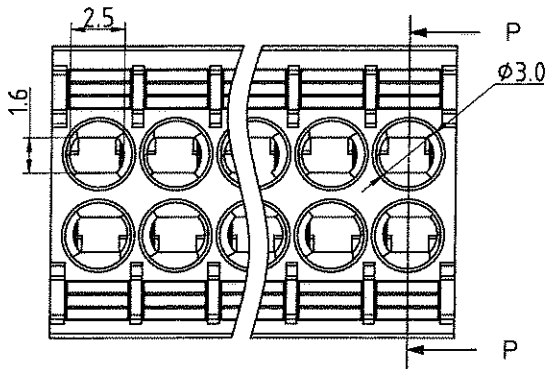


SIGN	DATE	DESCRIPTION	APPROVER
△	08/11'15	Update the drawing	Airy min
△			

THIS IS CAD DRAWING, DO NOT REVISE MANUALLY!!!



$$\text{Dim A} = (N/2 - 1) \times 3.5 + 4.3$$

$$\text{Dim C} = (N/2 - 1) \times 3.5$$

N=Number of poles

POLES	Tol	Dim.	Dim. A/C
2x2p-2x6p			±0.15
2x7p-2x12p			±0.25
2x13p-2x16p			±0.30
2x17p-2x24p			±0.40

Material:

- Item A Terminal lever: Thermoplastic (UL94V-0) Orange (RAL2011/P)
- Item B Terminal top housing: Thermoplastic (UL94V-0)
- Item C Spring clamp : Stainless steel
- Item D Female contact : PhBz Matte Tin plated over Nickel plated
- Item E Terminal down housing: Thermoplastic (UL94V-0)

Electrical:

- Voltage rating: 300 V
- Current rating: 5.5 A
- Wire range:
- Solid wire(AWG): 16-24
- Stranded wire(AWG): 16-24
- Wire strip length: 9-10 mm
- Withstanding Voltage: 1.6 KV △
- Operating temperature: -40°C to +115°C
- Safety Approval: cULus
- Critical dimension: ▽

NL xx 1 0 x 2 xxxxG

No. OF POLES

- 04: 2x2 POLES
- 06: 2x3 POLES
- 48: 2x24 POLES

Body color

- 0 Black (RAL9005)
- 2 Red (RAL3001/D)
- 3 Orange(RAL2011/P)
- 4 Yellow(RAL1018/A)
- 5 Green(RAL6018/T)
- 6 Blue (RAL5015/A)
- 8 Grey(RAL7035/D)
- 9 White(RAL1102)
- C Green (RAL 6018/U)

RoHS compliant
(Lead<4%)
In copper Alloy

- △ 00G0: "@" Logo (Standard)
- 00GA: "ANYTEK" Mark
- Any special item by customer request, please contact sales department.

ANYTEK		INSPECTION COPY	
ALL RIGHTS RESERVED. REPRODUCTION OR ISSUE TO THIRD PARTIES IN ANY FORM WHATSOEVER IS NOT PERMITTED WITHOUT WRITTEN AUTHORITY FROM THE PROPRIETOR, PROPERTY OF ANYTEK TECHNOLOGY CO., LTD			
TITLE	NL 3.5mm W/o Flange Series		
PART NO.	NLxx10x2xxxxG △	DWG NO.	8NL0002
APPROVED	CHECKED	DESIGNED	DRAWN
		Chenhao 2016.04.18	Chenhao 2016.04.18
SHEET: 01/01		UNIT: MM	Tolerance
		SCALE: NONE	X. ±0.50
		REV.: C	X.X ±0.30
			X.XX ±0.10
			X* ±1°

X-ON Electronics

Largest Supplier of Electrical and Electronic Components

Click to view similar products for [Pluggable Terminal Blocks](#) category:

Click to view products by [Amphenol](#) manufacturer:

Other Similar products are found below :

[57.510.0053](#) [MC 1.5/ 6-ST-3.5 GY AU](#) [734-104](#) [734-302](#) [8-141-P](#) [8426620000](#) [860505](#) [860810](#) [GBPACX-12](#) [93.731.4953.0](#) [PV05-5,08-K](#)
[PVP04-3,50](#) [PVS02-5,00](#) [1-1986160-3](#) [1377680000](#) [1531000000](#) [1546228-5](#) [ELFH16150](#) [ELFP03110](#) [ELFP10210](#) [ELFT06250](#)
[ELVP03100](#) [1700410](#) [1700425](#) [1702246](#) [1717806](#) [1719600](#) [1734692](#) [1734795](#) [1740291](#) [1752441](#) [1752865](#) [1754144](#) [1760051](#) [1760336](#)
[1777701](#) [1783410](#) [1800227](#) [1801080](#) [1836888](#) [1848818](#) [1849079](#) [1860870](#) [1876327](#) [1896417](#) [1903096](#) [19346](#) [1946309](#) [1970579](#) [1973592](#)