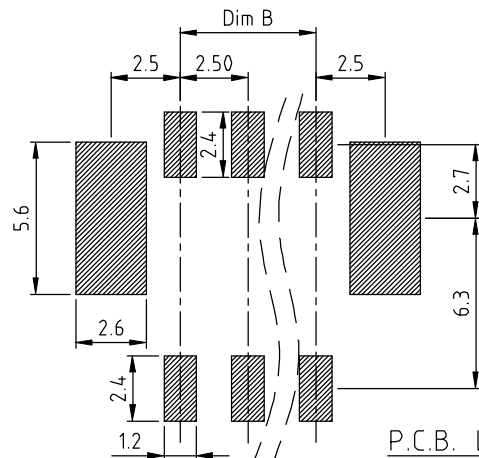
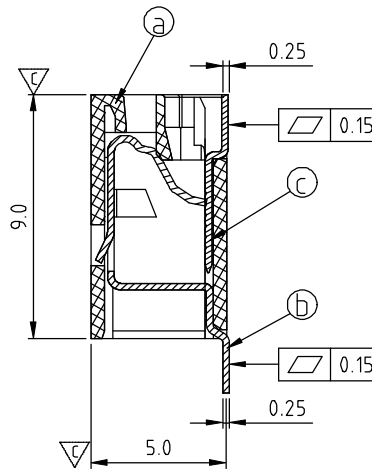
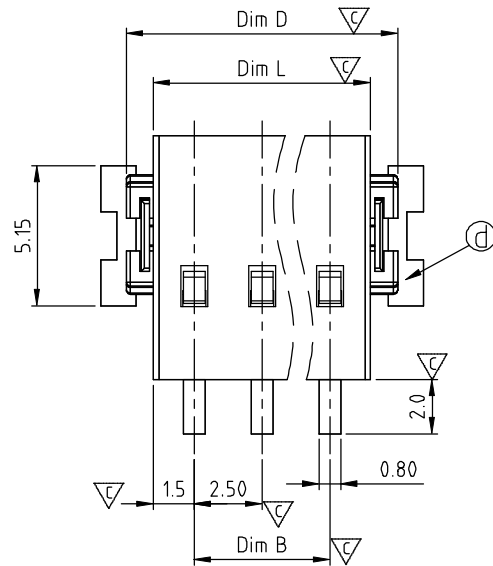


N=Number of poles

Dim.L	$(N-1) \times 2.5+3.0$
Dim.A	$(N-1) \times 2.5+6.9$
Dim.B	$(N-1) \times 2.5$
Dim.D	$(N-1) \times 2.5+5.0$

POLES	Dim L & B & D TOL	Dim A TOL
2P - 3P	-0.15/+0.15	-0.15/+0.30



P.C.B. LAYOUT

SIGN	DATE	DESCRIPTION	APPROVER
△	07/28`14	Change the dimensional tolerance	Chen Bo
△	03/27`15	Add the safety certification icon	Airy min
△	03/27`15	Update the drawing	Airy min

THIS IS CAD DRAWING, DO NOT REVISE MANUALLY!!!

△ Material:

- Item a Terminal housing:LCP (UL94V-0)
- Item b Long solder pin: Copper alloy, Tin plated
- Item c Short solder pin: Brass ,Bright Tin plated over Nickel plated.
- Item d Solder pin: Brass ,Bright Tin plated over Nickel plated.

△ Electrical UL /cULus (UL1977Standard)

- Voltage rating: 300VAC 300VAC
- Current rating: 6A 3A
- Wire range:
- Solid wire(AWG): 20-26
- Tin Dipped Stranded wire(AWG): 20-26
- Wire strip length: 6-7mm
- Withstanding Voltage: 1.6KV
- Operating temperature: -45°C to +130°C
- Reflow soldering temperature: 260°C/10 Sec Max.
- Safety Approval:
- Critical dimension: ∇

NQ xx 0 0 x 0 xxxx G

△ No. OF POLES
02: 2 POLES
03: 3 POLES

△ Color

- 0 Black (RAL9005)
- 1 Natural color
- 8 Grey

G RoHS compliant (lead<4%)
In copper Alloy
0000: "@" Logo (Standard)
000A: "ANYTEK" Mark
Any special item by customer request.
please contact sales department.

ANYTEK				CUSTOMER COPY			
TITLE		NQ 2.5mm Series With flange (SMT)					
PART NO.		NQxx00x0xxxxG			DWG NO.		8NQ0001
APPROVED		CHECKED	DESIGNED	DRAWN	CUST NO.		Tolerance
			Airy min 03/27`15	Airy min 03/27`15			X. ±0.50 X.X ±0.30 X.XX ±0.10 X° ±1°
					SHEET: 01/01		REV.: D

X-ON Electronics

Largest Supplier of Electrical and Electronic Components

Click to view similar products for [Amphenol manufacturer](#):

Other Similar products are found below :

[PT01SE-16-8P\(027\)](#) [PT01SE-16-8P\(476\)](#) [CTV06RW-11-2JB-LC](#) [97-3108A-22-14P](#) [10-474017-10P](#) [MS27473P14B18S](#) [TV06RW-25-90AE](#)
[PT02E10-2PW](#) [PT02E10-2PX](#) [97-3106A18-3PX-958](#) [97-3106A18-3PY-958](#) [TV06RL-13-35AD](#) [TV06RL-13-98BD](#) [TV06RW-25-46AE](#)
[TV06RL-13-35SD-LC](#) [TV06RL-13-35SD](#) [TV06RL-13-98SD-LC](#) [TV06RL-13-98SD](#) [TVP00RW-23-53AD](#) [PT02E10-2PW-025](#) [100-007-213-](#)
[002-001](#) [2M805-002-16NF23-12PA](#) [97-3108B16S-5PW-417](#) [97-3108B16S-5PY-417](#) [CS-DSDMDB37MF-025](#) [97-3108B16S-5PZ-417](#)
[PT06SE2041P](#) [CF-5A9013-04N](#) [CF-6A4615-06N](#) [GTC02R32-17S-025-RDS-LC](#) [GTC02R32-17S-025-LC](#) [PT06SE-24-61P\(LC\)](#) [SP28W1F](#)
[TV07DT-25-37P](#) [TV07DT-25-37JN-LC](#) [TV07DT-25-37S](#) [TV07DT-25-37S-LC](#) [TV07DT-25-46P-LC](#) [97-3101A20-21P-958](#) [TV07DT-25-](#)
[90P-LC](#) [TV07DT-25-46A](#) [TV07DT-25-37P-LC](#) [GTS08-36-22PZ-025-B30](#) [PT00SP2241P](#) [LJT06RT-15-35PB\(023\)](#) [TV06RW-23-53AB](#)
[LJT06RT-15-68PB-023](#) [97-3106A-22-9S\(621\)](#) [PT06A14-4S-005](#) [TVS07RF-15-19BB](#)