

SIGN	DATE	DESCRIPTION	APPROVER
△	03/27`15	Add the safety certification icon	Airy min
△	03/27`15	Update the drawing	Airy min

THIS IS CAD DRAWING, DO NOT REVISE MANUALLY!!!

N=Number of poles



Dim.L	$(N-1) \times 2.5 + 3.0$
Dim.B	$(N-1) \times 2.5$

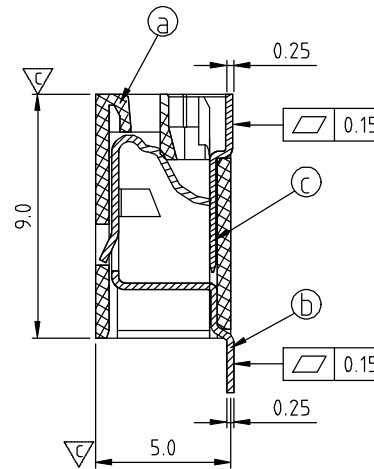
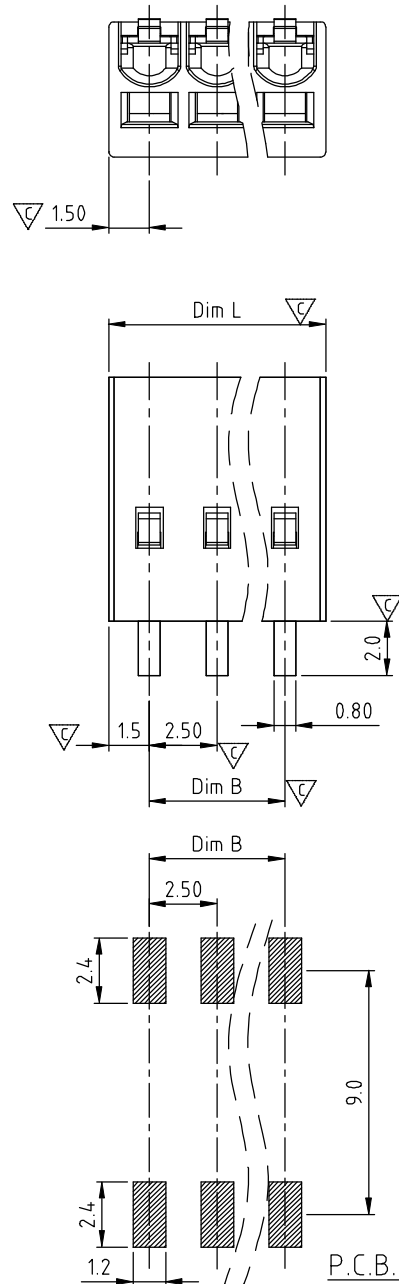
POLES	TOLERANCE
2P - 3P	-0.15/+0.15

△Material:

- Item a Terminal housing:LCP (UL94V-0)
- Item b Long solder pin: Copper alloy, Bright Tin plated over Nickel plated
- Item c Short solder pin: Brass Bright Tin plated over Nickel plated.

△ Electrical UL /cULus (UL1977Standard)

- Voltage rating: 300VAC 300VAC
- Current rating: 6A 3A
- Wire range:
- Solid wire(AWG): 20-26
- Tin Dipped Stranded wire(AWG): 20-26
- Wire strip length: 6-7mm
- Withstanding Voltage: 1.6KV
- Operating temperature: -45°C to +130°C
- Reflow soldering temperature: 260°C/10 Sec Max.
- Safety Approval:  
- Critical dimension: ∇



NQ xx 0 1 x 0 xxxx G

△No. OF POLES
02: 2 POLES
03: 3 POLES

G RoHS compliant
(lead<4%)
In copper Alloy

△ Color

- 0 Black (RAL9005)
- 1 Natural color
- 8 Grey

0000: "@" Logo (Standard)
000A: "ANYTEK" Mark
Any special item by
customer request.
please contact sales
department.

ANYTEK				CUSTOMER COPY			
ALL RIGHTS RESERVED. REPRODUCTION OR ISSUE TO THIRD PARTIES IN ANY FORM WHATSOEVER IS NOT PERMITTED WITHOUT WRITTEN AUTHORITY FROM THE PROPRIETOR. PROPERTY OF ANYTEK TECHNOLOGY CO., LTD							
TITLE	NQ 2.5mm Series Without flange (SMT)						
PART NO.	NQxx01x0xxxxG				DWG NO.	8NQ0002	
APPROVED	CHECKED	DESIGNED	DRAWN	CUST NO.	Tolerance		
		Airy min 03/27`15	Airy min 03/27`15		X. ±0.50		
					X.X ±0.30		
					X.XX ±0.10		
					X° ±1°		
				SHEET: 01/01	REV.: C	UNIT: mm	SCALE: NONE

X-ON Electronics

Largest Supplier of Electrical and Electronic Components

Click to view similar products for [Amphenol](#) manufacturer:

Other Similar products are found below :

[PT01SE-16-8P\(027\)](#) [PT01SE-16-8P\(476\)](#) [CTV06RW-11-2JB-LC](#) [97-3108A-22-14P](#) [10-474017-10P](#) [MS27473P14B18S](#) [TV06RW-25-90AE](#)
[PT02E10-2PW](#) [PT02E10-2PX](#) [97-3106A18-3PX-958](#) [97-3106A18-3PY-958](#) [TV06RL-13-35AD](#) [TV06RL-13-98BD](#) [TV06RW-25-46AE](#)
[TV06RL-13-35SD-LC](#) [TV06RL-13-35SD](#) [TV06RL-13-98SD-LC](#) [TV06RL-13-98SD](#) [TVP00RW-23-53AD](#) [PT02E10-2PW-025](#) [100-007-213-](#)
[002-001](#) [2M805-002-16NF23-12PA](#) [97-3108B16S-5PW-417](#) [97-3108B16S-5PY-417](#) [CS-DSDMDB37MF-025](#) [97-3108B16S-5PZ-417](#)
[PT06SE2041P](#) [CF-5A9013-04N](#) [CF-6A4615-06N](#) [GTC02R32-17S-025-RDS-LC](#) [GTC02R32-17S-025-LC](#) [PT06SE-24-61P\(LC\)](#) [SP28W1F](#)
[TV07DT-25-37P](#) [TV07DT-25-37JN-LC](#) [TV07DT-25-37S](#) [TV07DT-25-37S-LC](#) [TV07DT-25-46P-LC](#) [97-3101A20-21P-958](#) [TV07DT-25-](#)
[90P-LC](#) [TV07DT-25-46A](#) [TV07DT-25-37P-LC](#) [GTS08-36-22PZ-025-B30](#) [PT00SP2241P](#) [LJT06RT-15-35PB\(023\)](#) [TV06RW-23-53AB](#)
[LJT06RT-15-68PB-023](#) [97-3106A-22-9S\(621\)](#) [PT06A14-4S-005](#) [TVS07RF-15-19BB](#)