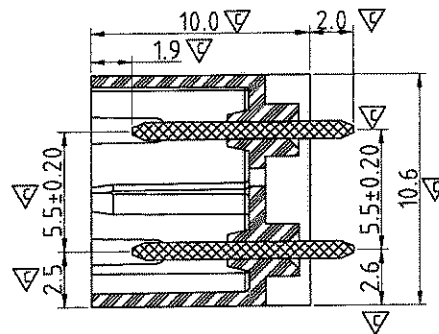


P.C.B Layout
Top view



SECTION P-P

$$\begin{aligned} \text{DimL} &= (N/2-1) \times 3.5 + 4.30 \\ \text{DimB} &= (N/2-1) \times 3.5 \\ \text{DimC} &= (N/2-1) \times 3.5 \end{aligned}$$

N=Number of poles

POLES	Dim. Tot	Dim.L/B/C
2x2p-2x6p		±0.15
2x7p-2x12p		±0.25
2x13p-2x18p		±0.30
2x19p-2x24p		±0.35

SIGN	DATE	DESCRIPTION	APPROVER
△	11/04/14	change the product description	Airy min
△			
△			

THIS IS CAD DRAWING, DO NOT REVISE MANUALLY!!!

Material:

- Item ② Terminal housing: LCP (UL94V-0)
- Item ③ Male contact pin: Copper, Matte Tin plated

Electrical: cULus

- Voltage rating: 300V
- Current rating: 5.5A
- Withstanding Voltage: 1.3KV
- Operating temperature: -45°C to +65°C
- Reflow Soldering temperature: 260°C/10 Sec max.
- Safety Approval: cULus
- Critical dimension: ▽



NR xx 1 1 x 0 xxxx G

No. OF POLES
04: 2x2 POLES
06: 2x3 POLES
:
48: 2x24 POLES

COLOR
0: BLACK

RoHS compliant
(lead<4%)
In copper Alloy

00G0: "@" Logo (Standard)
00GA: "ANYTEK" Mark
Any special item by
customer request.
please contact sales
department.

ANYTEK		CUSTOMER COPY			
ALL RIGHTS RESERVED. REPRODUCTION OR ISSUE TO THRD PARTIES IN ANY FORM WHATSOEVER IS NOT PERMITTED WITHOUT WRITTEN AUTHORITY FROM THE PROPRIETOR. PROPERTY OF ANYTEK TECHNOLOGY CO., LTD					
TITLE	NR 3.5mm series close vertical (THR type)				
PART NO.	NRxx11x0xxxxG	DWG NO.	8NR0004		
APPROVED	CHECKED	DESIGNED	DRAWN	CUST NO.	Tolerance
Airy min		Airy min	Airy min	X. ±0.50	
2014.12.18		2014.12.18	2014.12.18	X.X ±0.30	
SHEET: 01/01		REV.: B	UNIT: mm		X.XX ±0.10
			SCALE: NONE		X° ±1°

X-ON Electronics

Largest Supplier of Electrical and Electronic Components

Click to view similar products for [Pluggable Terminal Blocks](#) category:

Click to view products by [Amphenol](#) manufacturer:

Other Similar products are found below :

[57.510.0053](#) [MC 1.5/ 6-ST-3.5 GY AU](#) [734-104](#) [734-302](#) [8-141-P](#) [8426620000](#) [860505](#) [860810](#) [GBPACX-12](#) [93.731.4953.0](#) [PV05-5,08-K](#)
[PVP04-3,50](#) [PVS02-5,00](#) [1-1986160-3](#) [1377680000](#) [1531000000](#) [1546228-5](#) [ELFH16150](#) [ELFP03110](#) [ELFP10210](#) [ELFT06250](#)
[ELVP03100](#) [1700410](#) [1700425](#) [1702246](#) [1717806](#) [1719600](#) [1734692](#) [1734795](#) [1740291](#) [1752441](#) [1752865](#) [1754144](#) [1760051](#) [1760336](#)
[1777701](#) [1783410](#) [1800227](#) [1801080](#) [1836888](#) [1848818](#) [1849079](#) [1860870](#) [1876327](#) [1896417](#) [1903096](#) [19346](#) [1946309](#) [1970579](#) [1973592](#)