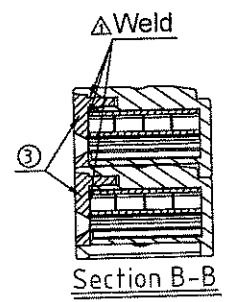
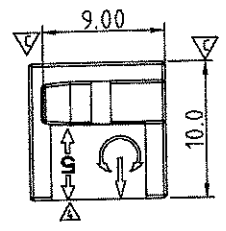


SIGN	DATE	DESCRIPTION	APPROVER
△	12/03'13	Update the drawing	Jacky
△	04/08'14	change the product number	Jacky
△	11/14'14	change the product description	Airy min
△	1/12'16	Add the safety certification icon and update drawing	Chenhao

**THIS IS CAD DRAWING, DO NOT REVISE MANUALLY!!!**



**Material**

- Item ① Terminal body: PA66 ( UL94V-0 )
- Item ② Terminal : PhBz, Tin plated.
- Item ③ Terminal cover : PA66 ( UL94V-0 ) White

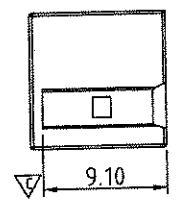
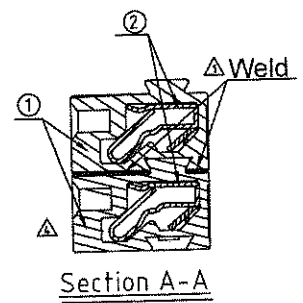
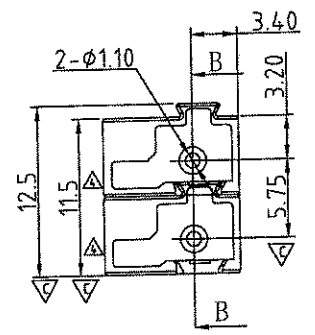
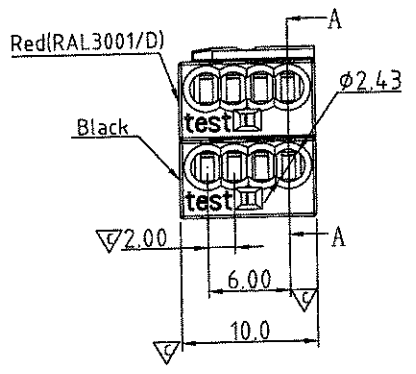
**Electrical**

- Voltage rating: 150V
- Current rating: 7A
- Wire range: Solid wire(AWG): 18-22
- Wire strip length: 5-6mm
- Withstanding Voltage: 1.3KV
- Operating temperature: -40°C to +115°C

cULus

- △● Safety approval:
- △● Staying power between the under bodysand the above body:8kgf.cm
- △● Staying power between the body and the cover:2.5kgf.cm

Critical dimension: ▽



ANYTEK				CUSTOMER COPY			
ALL RIGHTS RESERVED. REPRODUCTION OR ISSUE TO THIRD PARTIES IN ANY FORM WHATSOEVER IS NOT PERMITTED WITHOUT WRITTEN AUTHORITY FROM THE PROPRIETOR. PROPERTY OF ANYTEK TECHNOLOGY CO., LTD							
TITLE	NS 5.75 series 2P stackable type(with hole)△						
PART NO.	NS0200C00010G/AG △	DWG NO.	8NS0006				
APPROVED	CHECKED	DESIGNED	DRAWN	CUST NO.	Tolerance		
		Chenhao 2016.1.12	Chenhao 2016.1.12		UNIT: mm	X.	±0.50
					SCALE: NONE	X.X	±0.30
					SHEET: 01/01	REV.: F	X.XX
					X°	±1°	

## X-ON Electronics

Largest Supplier of Electrical and Electronic Components

*Click to view similar products for [Fixed Terminal Blocks](#) category:*

*Click to view products by [Amphenol](#) manufacturer:*

Other Similar products are found below :

[MBE-1512](#) [MBE-154](#) [MBE-156](#) [MBES-153](#) [MBES-156](#) [MH-2512](#) [MHE-132](#) [MHE-163](#) [MI-254 \(35\)](#) [MI-272](#) [880507](#) [MPT-275](#)  
[15602-04-08-21](#) [BA311TU](#) [BA411SU](#) [MV-152](#) [MV-252-D](#) [MV-253/NCNOC](#) [MV-254-D](#) [MV-255](#) [MV-462](#) [MV-493](#) [MVE-252](#) [MVE-253](#)  
[MVE-273](#) [MVEB-153](#) [1700096](#) [1705142](#) [1745195](#) [1760594](#) [1776118-2](#) [1-796689-8](#) [1-796692-6](#) [20020314-C121B01LF](#) [CB2-12](#)  
[KP03215000J0G](#) [KP04215000J0G](#) [S451](#) [282802-2](#) [29.007](#) [29.116](#) [30.103](#) [30.106](#) [30.252](#) [30.503](#) [30.608](#) [30.753](#) [30.755](#) [30.756](#) [30.853](#)