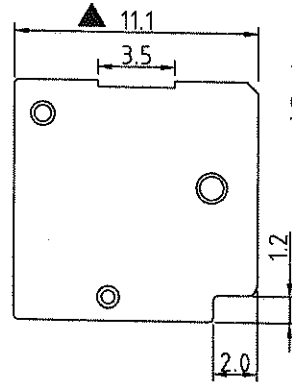
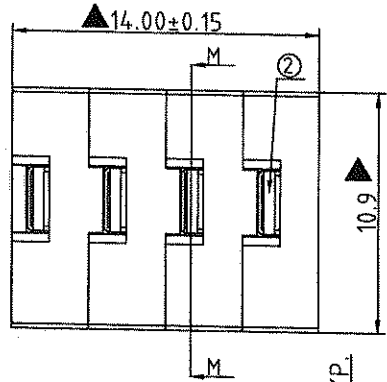
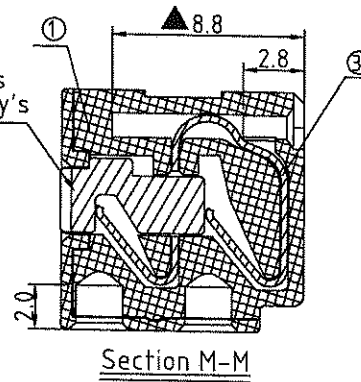


REV	SIGN	DATE	DESCRIPTION	APPROVER
B		2017.09.28	The first release	Zhihua
RoHs Compliant				
THIS IS CAD DRAWING, DO NOT REVISE MANUALLY!!!				



The color of lever is consistent with body's



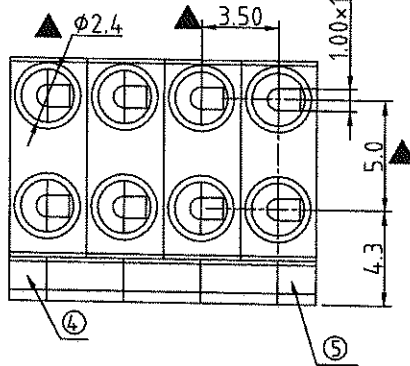
Material

- Item ① Insulating body(middle): Thermoplastic (UL94V-0)
- Item ② Insulating lever: Thermoplastic (UL94V-0)
- Item ③ Spring clamp: Phosphor Bronze , Tin Plated
- Item ④ Insulating cover: Thermoplastic (UL94V-0)
- Item ⑤ Insulating body(side): Thermoplastic (UL94V-0)

Electrical

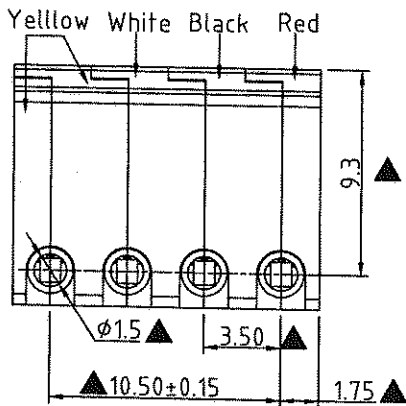
cULus

- Voltage rating: 300V
- Current rating: 2A
- Wire range : 2×AWG 20~26 (Solid wire)
- Wire strip length: 5~6mm
- Withstanding Voltage: 1.6KV
- Operating temperature: -40°C to +115°C
- Safety Approval: us
- Critical dimension: ▲



code of color:

Yellow	White	Black	Red
RAL1018/A	RAL1102	RAL9005	RAL3001/D



Amphenol ANYTEK		CUSTOMER COPY	
ALL RIGHTS RESERVED. REPRODUCTION OR ISSUE TO THIRD PARTIES IN ANY FORM WHATSOEVER IS NOT PERMITTED WITHOUT WRITTEN AUTHORITY FROM THE PROPRIETOR. PROPERTY OF ANYTEK TECHNOLOGY CO., LTD			
TITLE	NU 3.5mm series		
PART NO.	NU0400C0001AG	DWG NO.	BNU0004
APPROVED	CHECKED	DESIGNED	DRAWN
		Zhihua 2017.09.28	Zhihua 2017.09.28
SHEET: 01/01		Tolerance	
		UNIT: mm	X. ±0.50
		SCALE: NONE	X.X ±0.30
		REV: B	X.XX ±0.10
			X° ±1°

X-ON Electronics

Largest Supplier of Electrical and Electronic Components

Click to view similar products for [Fixed Terminal Blocks](#) category:

Click to view products by [Amphenol](#) manufacturer:

Other Similar products are found below :

[MBE-1512](#) [MBE-154](#) [MBE-156](#) [MBES-153](#) [MBES-156](#) [MH-2512](#) [MHE-132](#) [MHE-163](#) [MI-254 \(35\)](#) [MI-272](#) [880507](#) [MPT-275](#)
[15602-04-08-21](#) [BA311TU](#) [BA411SU](#) [MV-152](#) [MV-252-D](#) [MV-253/NCNOC](#) [MV-254-D](#) [MV-255](#) [MV-462](#) [MV-493](#) [MVE-252](#) [MVE-253](#)
[MVE-273](#) [MVEB-153](#) [1700096](#) [1705142](#) [1745195](#) [1760594](#) [1776118-2](#) [1-796689-8](#) [1-796692-6](#) [20020314-C121B01LF](#) [CB2-12](#)
[KP03215000J0G](#) [KP04215000J0G](#) [S451](#) [282802-2](#) [29.007](#) [29.116](#) [30.103](#) [30.106](#) [30.252](#) [30.503](#) [30.608](#) [30.753](#) [30.755](#) [30.756](#) [30.853](#)