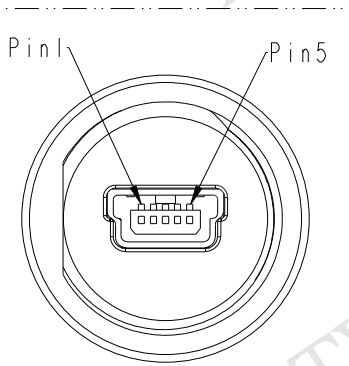
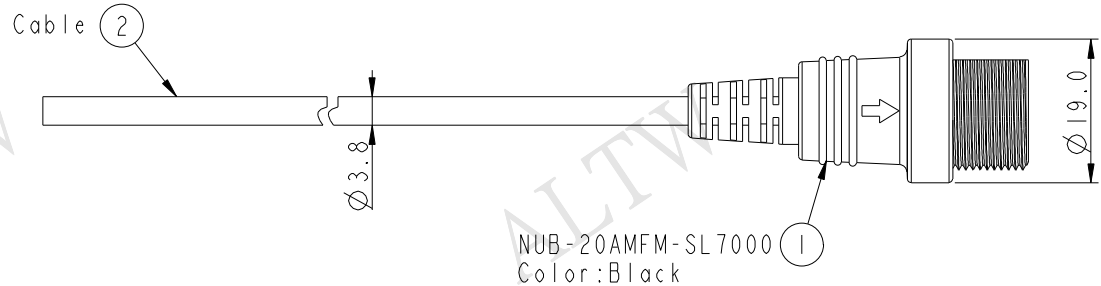
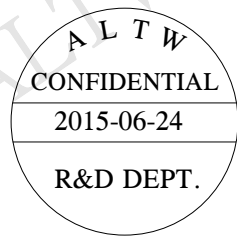
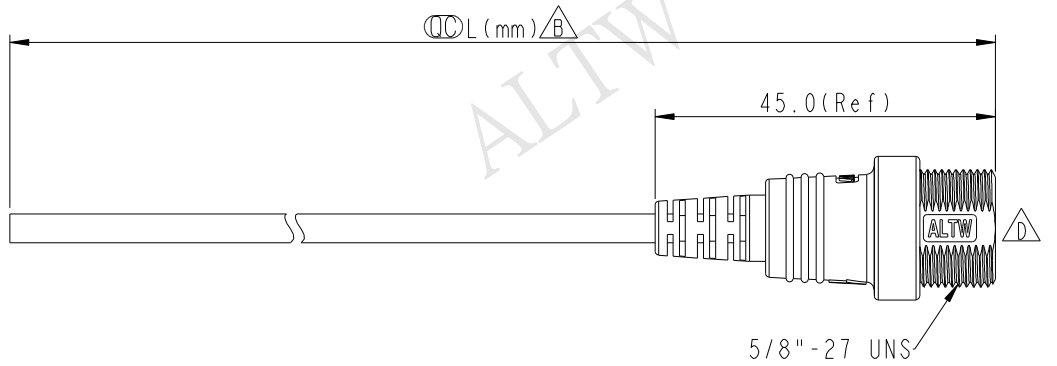


REV.	ECN NO.	DATE	SIGN	DESCRIPTION
B	LEN1150121~123	2011/05/18	Vicky	Modify Note & Tolerance
C	LEN13A0071-073	2013/10/16	Rensong	Change the housing material
D	LEN1560352~354	2015/06/24	Jinhai	Change Logo



Pin Assignment
Front View

Shield	Drain	地線
5	Black	黑
4	Yellow	黃
3	Green	綠
2	White	白
1	Red	紅
Conn.	Wire Color	

NUB-20AMFM-SL7AXX

XX:01~04Meters
 01:01Meter
 02:02Meters
 :
 04:04Meters
 Cable Length(L):01~04Maters

Twist
對線

Note:
 * \varnothing Important Dimension
 * Waterproof Rate: IP67
 * Housing: Nylon+GF, Black
 * Jack: Mini USB 5PIN
 * Cable: UL2725 28AWG*1P+28AWG*3C+A+D+B, PVC Jacket, OD=3.8mm, Black
 * Cable Length Tolerance: 01M±40mm
 02M~04M±60mm

UNIT:mm
 TOLERANCE
 ±0.5mm

TITLE MINI USB MOLDING TYPE M CONN F PIN			
SCALE 1:1	SIZE A4	SHEET 1	OF 1
REV. D	WC-REV. A.1	\varnothing : Inspection item	

Amphenol LTW
 安費諾亮泰企業股份有限公司

ITEM NO	DRAWN BY Jinhai	DATE 2015-06-24
DWG NO NUB-20AMFM-SL7AXX	CHECKED BY Tom	DATE 2015-06-24
CUSTOMER ALTW	APPROVED BY Jerry	DATE 2015-06-24

THIS DOCUMENT IS SUBJECT TO CHANGE WITHOUT NOTICE. IT IS CONFIDENTIAL AND A PROPERTY OF Amphenol LTW. DISCLOSURE TO THIRD PARTY HAS TO BE AUTHORIZED BY Amphenol LTW.

X-ON Electronics

Largest Supplier of Electrical and Electronic Components

Click to view similar products for [USB Cables / IEEE 1394 Cables](#) category:

Click to view products by [Amphenol](#) manufacturer:

Other Similar products are found below :

[68768-0173](#) [FNY-W6003-01](#) [88764-0800](#) [148700-1](#) [17-200621](#) [17-250051P](#) [954](#) [17-200261](#) [AC102012-1](#) [AC102012-2](#) [FTP-629Y601](#) [45-1345-15](#) [45-1358-15](#) [45-1363-15](#) [IP-USB1\(C10\)S-RW](#) [CABLE/RTP/USB/DT](#) [45-1351-15](#) [45-1357-15](#) [45-1433-1](#) [687680278](#)
[USBFTVX2SA2N03A](#) [USBFTV2SA2N03A](#) [USBFTV2SA2N05A](#) [MDM9PH004B](#) [MDM9PH004P](#) [FTP-629Y401](#) [FTP-628Y302](#) [FTP-628Y402](#) [CSMNB9MF-5](#) [FNY-W6022](#) [UA-30AMF-SD7B03](#) [UA-30AMFM-SL7B03](#) [USBAPSCC7202A](#) [UES-1001A160](#) [UES-1003A160](#)
[USBFTVX7SA2N20A](#) [USBFTV2PEMSA2N10A](#) [FTP-629Y602](#) [USBCAMCM100](#) [USB A/F*2 to 2.54 2*5P-SH L=400mm](#) [68784-0075](#)
[USB-29](#) [19800-010500-200-RS](#) [103-1092-BL-F0050](#) [103-1020-BL-00100](#) [103-1092-BL-F0200](#) [103-1092-BL-F0100](#) [105-1092-BL-00300](#)
[105-1092-BL-00200](#) [105-1031-BL-00200](#)