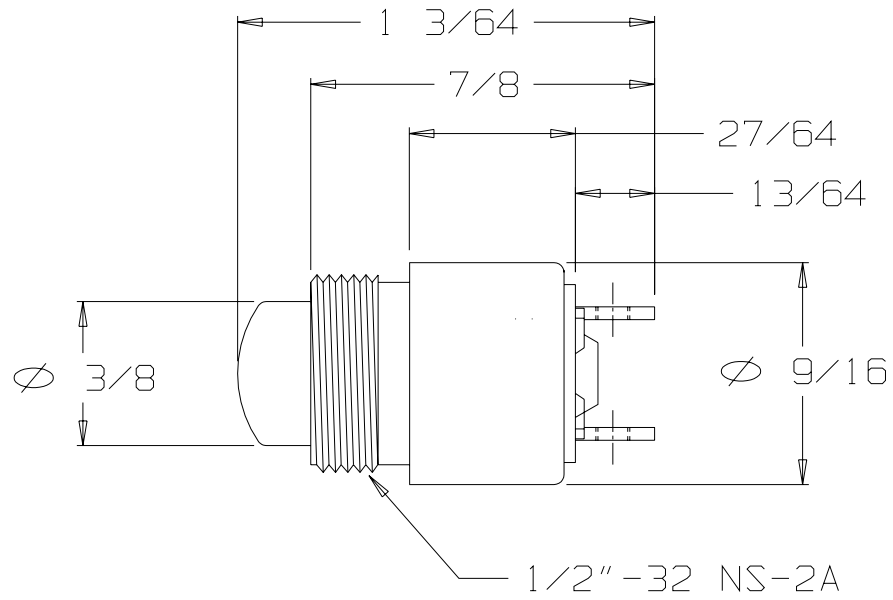


FOR REFERENCE ONLY

A NX201002B



STANDARD MOMENTARY SWITCH
 SPNO - SINGLE POLE NORMALLY OPEN
 BUTTON #2, COLOR BLACK

THIS DOCUMENT CONTAINS PROPRIETARY INFORMATION OF NEXUS, INCORPORATED AND SUCH INFORMATION MAY NOT BE DISCLOSED TO OTHERS FOR ANY PURPOSE OR USED FOR ANY PURPOSE WITHOUT THE WRITTEN CONSENT OF NEXUS.

| | | | | | |
|--|-----|------|---------|---------------------|--------------|
| DWN. BY | EWT | DATE | 5/18/05 | MATERIAL | N/A |
| CHECKED BY | | DATE | | FINISH | N/A |
| APPR. BY | | DATE | | WEIGHT | SCALE 2:1 |
| UNLESS OTHERWISE SPECIFIED DIMENSIONS ARE IN INCHES TOLERANCES ON .XX .XXX ANGLES ±.003 ±.5° | | | | TITLE | |
| | | | | SWITCH MOMENTARY | |
| | | | | DO NOT SCALE DWG. | SHEET 1 OF 1 |

NEXUS
 STAMFORD, CONN

SIZE DWG. NO.
A NX201002B

| | | | | |
|------|-----------------|------|---------|------|
| A | INITIAL RELEASE | | 5/18/05 | EWT |
| LET. | REVISION | CN # | DATE | CHK. |

X-ON Electronics

Largest Supplier of Electrical and Electronic Components

Click to view similar products for [Pushbutton Switches](#) category:

Click to view products by [Amphenol](#) manufacturer:

Other Similar products are found below :

[8940K2012](#) [LW1L-M1C10V-A](#) [LW1L-M1C70-A](#) [LW2L-A1C20M-GD](#) [LW2L-M1C20M-A](#) [60324L](#) [M22-D-R-GB0/K11](#) [M7E-HRN2](#)
[67021K512](#) [67081K512X](#) [701PB580](#) [7190K101](#) [7199K101](#) [810K12910](#) [810KSV30B](#) [MML21EA2ADK](#) [MML21KA3ABK](#)
[MML23KA3AC05K-001](#) [MML23KW3AA01W](#) [8418K2](#) [8442K3](#) [8450K1](#) [860K11911T01A](#) [861901](#) [861K11911T01A07](#)
[861K13810T00A14](#) [861K13911](#) [8646AB6X718UL](#) [8646ABUL](#) [9001KXRK](#) [907AYY100](#) [PMHD155A1](#) [95-313.000](#)
[9533CD4+U574+U4922](#) [95-414.000](#) [99-450.837](#) [99-453.837](#) [PV3H2B0NN-341](#) [1203MRA](#) [A22NZBGANGA](#) [A22NZBMMNGA](#)
[A22NZBNANGA](#) [A22NZMPATRA](#) [A2PMA1X03EC56](#) [A3A-5123-02](#) [A3A-7140](#) [A3A-7310](#) [A3A-7340](#) [A3U-TMW-A2C-5M](#) [A595](#)