

FOR REFERENCE ONLY

B NX201002R-XX

SPECIFICATIONS:

AC RATING: 10 AMPS @115VAC (RESISTIVE LOAD)
 5 AMPS @115VAC (INDUCTIVE LOAD)
 3 AMPS @115VAC (LAMP LOAD)

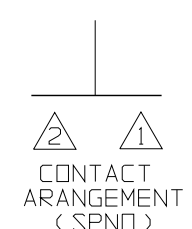
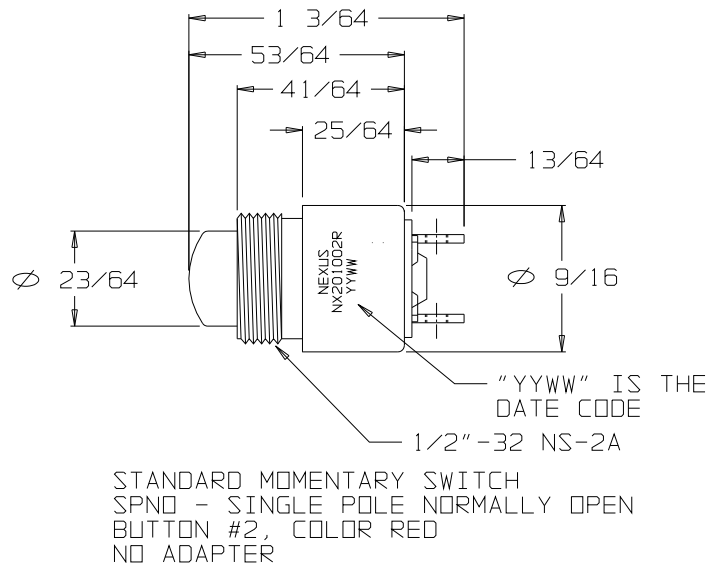
DC RATING: 10 AMPS @28VDC (RESISTIVE LOAD)
 5 AMPS @28VDC (INDUCTIVE LOAD)
 3 AMPS @28VDC (LAMP LOAD)

MECHANICAL LIFE: 500,000 CYCLES
 ACTION: MOMENTARY SNAP

OPERATING FORCE:
 SERIES 20 & 30: 3 TO 5 POUNDS MOMENTARY
 1/2 TO 2 POUNDS PUSH-PULL
 SERIES 22 & 32: 2 TO 3 POUNDS MOMENTARY

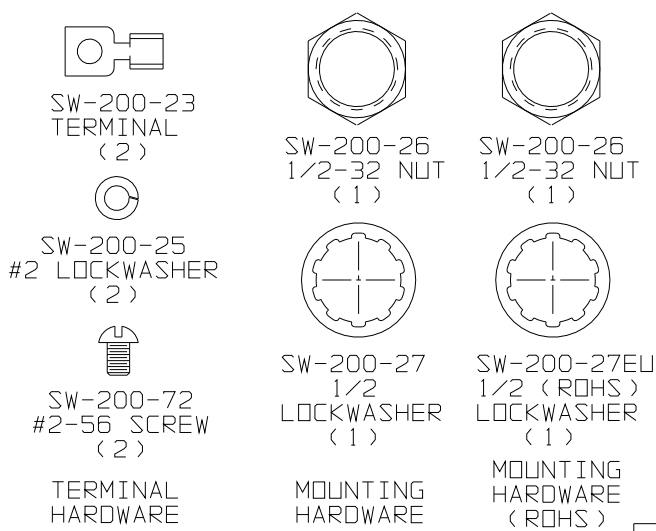
WEIGHT: .050 POUNDS MAXIMUM
 CASE: ALUMINUM ALLOY 2011-T3,
 "EU" (ROHS COMPLIANT)
 CLEAR ANODIZED IAW MIL-A-8625
 GLASS FILLED NYLON

PLUNGER: GLASS FILLED NYLON
 BODY: DIALLYL PHTHALATE IAW MIL-M-14
 TERMINALS: THREADED #2-56 NC-2B



ORDERING INFORMATION:

NX201002R-00 SWITCH ONLY
 NX201002R-30 SWITCH, MOUNTING HARDWARE
 NX201002R-31 SWITCH, MOUNTING HARDWARE, TERNIMAL HARDWARE
 NX201002R-00EU SWITCH (ROHS) ONLY
 NX201002R-30EU SWITCH (ROHS), MOUNTING HARDWARE (ROHS)
 NX201002R-31EU SWITCH (ROHS), MOUNTING HARDWARE (ROHS), TERNIMAL HARDWARE



THIS DOCUMENT CONTAINS PROPRIETARY INFORMATION OF NEXUS, INCORPORATED AND SUCH INFORMATION MAY NOT BE DISCLOSED TO OTHERS FOR ANY PURPOSE OR USED FOR ANY PURPOSE WITHOUT THE WRITTEN CONSENT OF NEXUS.

DWN. BY	EWT	DATE	1/14/09	MATERIAL	N/A
CHECKED BY		DATE		FINISH	N/A
APPR. BY		DATE		WEIGHT	SCALE N/A
UNLESS OTHERWISE SPECIFIED DIMENSIONS ARE IN INCHES TOLERANCES ON				TITLE	
.XX .XXX ANGLES				SWITCH SPNO MOMENTARY	
±.003 ±.5°				DO NOT SCALE DWG. SHEET 1 OF 1	
				NEXUS STAMFORD, CONN	
				SIZE DWG. NO.	
				B NX201002R-XX	

A	INITIAL RELEASE		1/14/09	EWT
LET.	REVISION	CN #	DATE	CHK.

X-ON Electronics

Largest Supplier of Electrical and Electronic Components

Click to view similar products for [Pushbutton Switches](#) category:

Click to view products by [Amphenol](#) manufacturer:

Other Similar products are found below :

[8940K2012](#) [LW1L-M1C10V-A](#) [LW1L-M1C70-A](#) [LW2L-A1C20M-GD](#) [LW2L-M1C20M-A](#) [60324L](#) [M22-D-R-GB0/K11](#) [M7E-HRN2](#)
[67021K512](#) [67081K512X](#) [701PB580](#) [7190K101](#) [7199K101](#) [810K12910](#) [810KSV30B](#) [MML21EA2ADK](#) [MML21KA3ABK](#)
[MML23KA3AC05K-001](#) [MML23KW3AA01W](#) [8418K2](#) [8442K3](#) [8450K1](#) [860K11911T01A](#) [861901](#) [861K11911T01A07](#)
[861K13810T00A14](#) [861K13911](#) [8646AB6X718UL](#) [8646ABUL](#) [9001KXRK](#) [907AYY100](#) [PMHD155A1](#) [95-313.000](#)
[9533CD4+U574+U4922](#) [95-414.000](#) [99-450.837](#) [99-453.837](#) [PV3H2B0NN-341](#) [1203MRA](#) [A22NZBGANGA](#) [A22NZBMMNGA](#)
[A22NZBNANGA](#) [A22NZMPATRA](#) [A2PMA1X03EC56](#) [A3A-5123-02](#) [A3A-7140](#) [A3A-7310](#) [A3A-7340](#) [A3U-TMW-A2C-5M](#) [A595](#)