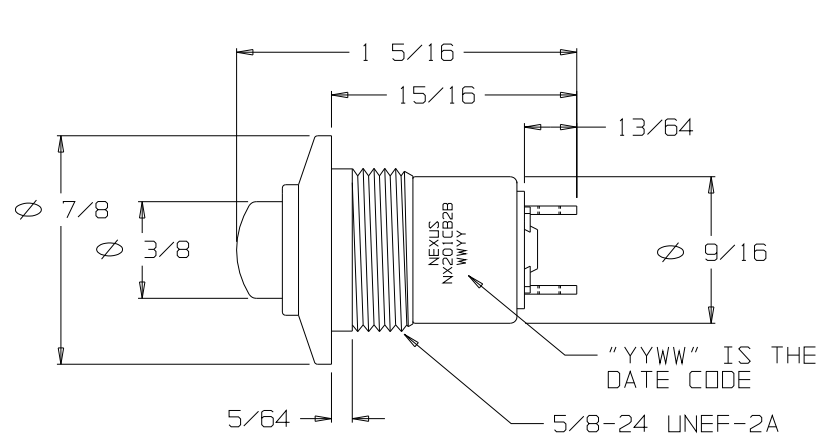


FOR REFERENCE ONLY

B NX201CB2B-XX

SPECIFICATIONS:

AC RATING: 10 AMPS @115VAC (RESISTIVE LOAD)
 5 AMPS @115VAC (INDUCTIVE LOAD)
 3 AMPS @115VAC (LAMP LOAD)
 DC RATING: 10 AMPS @28VDC (RESISTIVE LOAD)
 5 AMPS @28VDC (INDUCTIVE LOAD)
 3 AMPS @28VDC (LAMP LOAD)
 TYPE 7 CONTACT ARRANGEMENTS:
 1/2 AMPERAGE LOADS SHOWN ABOVE
 MECHANICAL LIFE: 500,000 CYCLES
 ACTION: MOMENTARY SNAP OR PUSH PULL
 OPERATING FORCE:
 SERIES 20 & 30: 3 TO 5 POUNDS MOMENTARY
 1/2 TO 2 POUNDS PUSH-PULL
 SERIES 22 & 32: 2 TO 3 POUNDS MOMENTARY
 WEIGHT: .050 POUNDS MAXIMUM
 CASE: ALUMINUM ALLOY 2011-T3,
 CLEAR ANODIZED IAW MIL-A-8625
 PLUNGER: GLASS FILLED NYLON
 BODY: DIALLYL PHTHALATE IAW MIL-M-14
 TERMINALS: THREADED #2-56 NC-2B



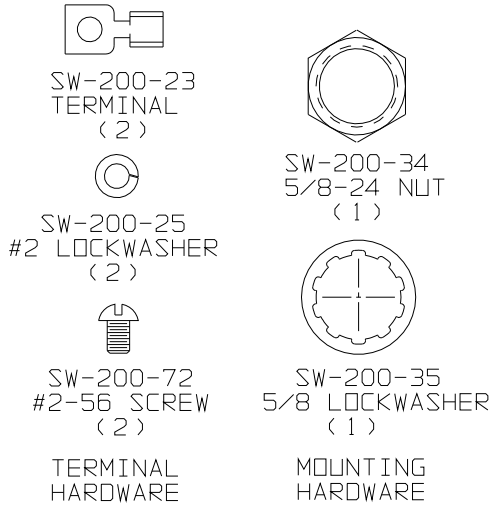
DESCRIPTION

"SERIES 20" MOMENTARY SWITCH
 CONTACTS SPNO - SINGLE POLE NORMALLY OPEN
 ADAPTER TYPE "C", COLOR BLACK
 BUTTON #2, COLOR BLACK

ORDERING INFORMATION:

NX201CB2B-00 SWITCH ONLY
 NX201CB2B-60 SWITCH, MOUNTING HARDWARE
 NX201CB2B-61 SWITCH, MOUNTING HARDWARE, TERNIMAL HARDWARE
 NX201CB2B-00EU SWITCH ONLY (ROHS)
 NX201CB2B-60EU SWITCH, MOUNTING HARDWARE (ROHS)
 NX201CB2B-61EU SWITCH, MOUNTING HARDWARE, TERNIMAL HARDWARE (ROHS)

THIS DOCUMENT CONTAINS PROPRIETARY INFORMATION OF NEXUS, INCORPORATED AND SUCH INFORMATION MAY NOT BE DISCLOSED TO OTHERS FOR ANY PURPOSE OR USED FOR ANY PURPOSE WITHOUT THE WRITTEN CONSENT OF NEXUS.



DWN. BY	EWT	DATE	06/05/08	MATERIAL	N/A
CHECKED BY		DATE		FINISH	N/A
APPR. BY		DATE		WEIGHT	—
				SCALE	N/A
				TITLE	
				SWITCH SPNO MOMENTARY	
				SIZE	B
				DWG. NO.	NX201CB2B-XX
LET.	REVISION	CN #	DATE	CHK.	DO NOT SCALE DWG.
					SHEET 1 OF 1

UNLESS OTHERWISE SPECIFIED
 DIMENSIONS ARE IN INCHES
 TOLERANCES ON
 .XX .XXX ANGLES
 ±.003 ±.5°

X-ON Electronics

Largest Supplier of Electrical and Electronic Components

Click to view similar products for [Pushbutton Switches](#) category:

Click to view products by [Amphenol](#) manufacturer:

Other Similar products are found below :

[8940K2012](#) [LW1L-M1C10V-A](#) [LW1L-M1C70-A](#) [LW2L-A1C20M-GD](#) [LW2L-M1C20M-A](#) [60324L](#) [M22-D-R-GB0/K11](#) [M7E-HRN2](#)
[67021K512](#) [67081K512X](#) [701PB580](#) [7190K101](#) [7199K101](#) [810K12910](#) [810KSV30B](#) [MML21EA2ADK](#) [MML21KA3ABK](#)
[MML23KA3AC05K-001](#) [MML23KW3AA01W](#) [8418K2](#) [8442K3](#) [8450K1](#) [860K11911T01A](#) [861901](#) [861K11911T01A07](#)
[861K13810T00A14](#) [861K13911](#) [8646AB6X718UL](#) [8646ABUL](#) [9001KXRK](#) [907AYY100](#) [PMHD155A1](#) [95-313.000](#)
[9533CD4+U574+U4922](#) [95-414.000](#) [99-450.837](#) [99-453.837](#) [PV3H2B0NN-341](#) [1203MRA](#) [A22NZBGANGA](#) [A22NZBMMNGA](#)
[A22NZBNANGA](#) [A22NZMPATRA](#) [A2PMA1X03EC56](#) [A3A-5123-02](#) [A3A-7140](#) [A3A-7310](#) [A3A-7340](#) [A3U-TMW-A2C-5M](#) [A595](#)