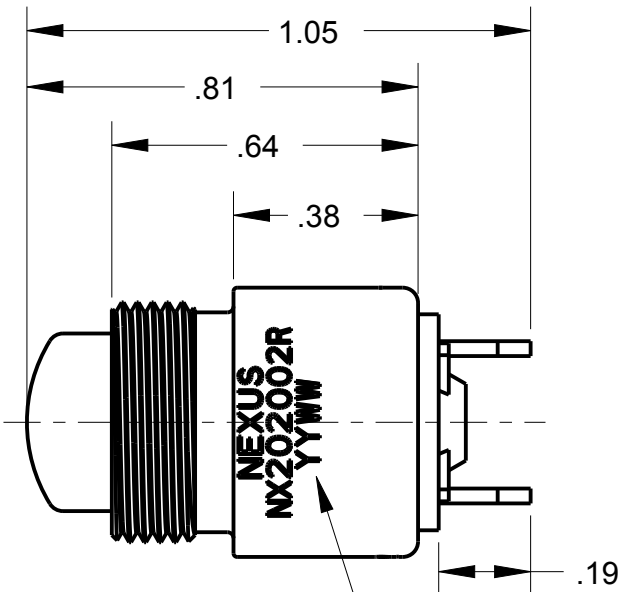
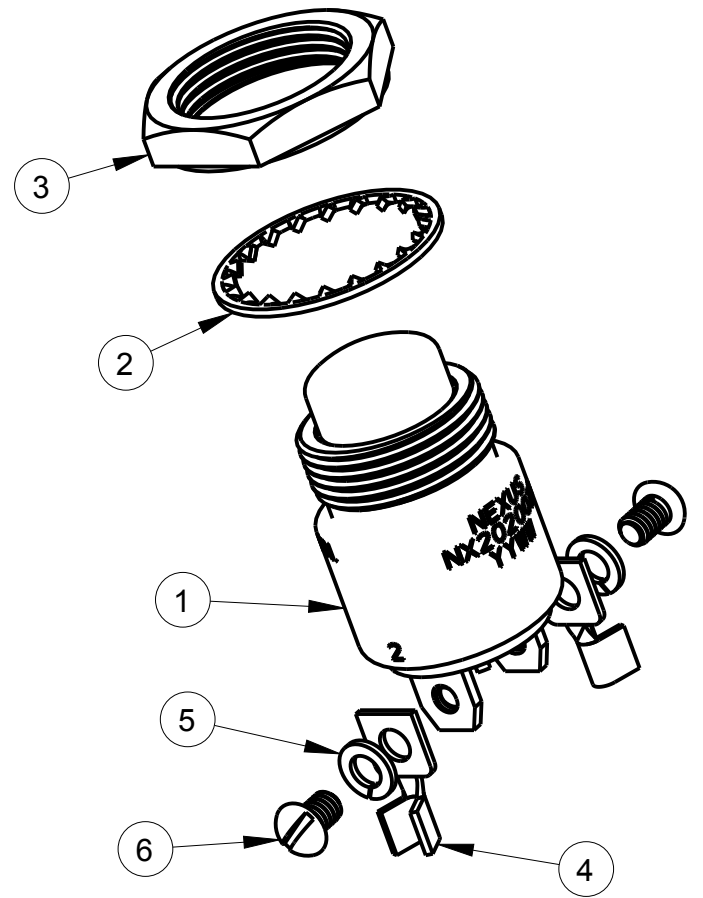
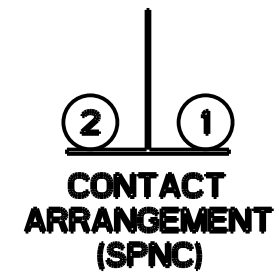
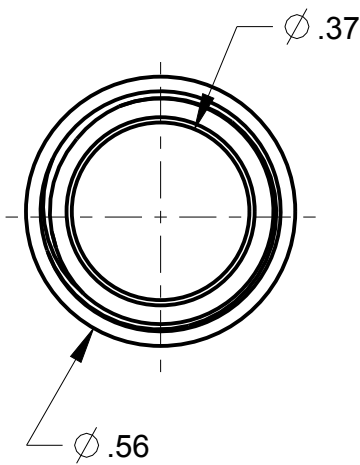


B NX202002R-XX

ITEM #	PART #	NX202002R-00 QTY	NX202002R-30 QTY	NX202002R-31 QTY	DESCRIPTION
1	NX202002R	1	1	1	SWITCH MOMENTARY, RED BUTTON
2	SW-200-27	----	1	1	LOCK WASHER
3	SW-200-26	----	1	1	NUT
4	SW-200-23	----	----	2	TERMINAL LUG
5	SW-200-25	----	----	2	#2 LOCK WASHER
6	SW-200-72	----	----	2	SCREW

NOTES:
 1) STANDARD MOMENTARY SWITCH
 SINGLE POLE, NORMALLY CLOSED
 BUTTON #2, COLOR: RED
 NO ADAPTER

SPECIFICATIONS;
 AC RATING: 10 A @115VAC (RESISTIVE LOAD)
 5A @ 115VAC (INDUCTIVE LOAD)
 3A @115VAC (LAMP LOAD)
 DC RATING: 10A @ 28VDC (RESISTIVE LOAD)
 5A @ 28VDC (INDUCTIVE LOAD)
 3A @ 28VDC (LAMP LOAD)
 MECHANICAL LIFE: 500,000 CYCLES
 ACTION: MOMENTARY SNAP
 OPERATING FORCE: 3-5 LBS MOMENTARY
 WEIGHT: .05 LBS MAX
 CASE: ALUMINUM ALLOY 2011-T3, CLEAR ANODIZED
 IAW MIL-A-8525
 PLUNGER: GLASS FILLED NYLON
 BODY: DIALLY PHTHALATE IAW MIL-M-14
 TERMINALS: THREADED #2-56 NC-28



"YYWW" IS THE DATE CODE

THIS DOCUMENT CONTAINS PROPRIETARY INFORMATION OF NEXUS, INCORPORATED AND SUCH INFORMATION MAY NOT BE DISCLOSED TO OTHERS FOR ANY PURPOSE OR USED FOR ANY PURPOSE WITHOUT THE WRITTEN CONSENT OF NEXUS.

LET.	REVISION	CN #	DATE	CHK.
B	CORRECT 2 P/N, REVISE SPECIFICATIONS	217	1/9 2015	HR
A	INITIAL RELEASE		5/23 2008	EWT

DWN.BY EWT	DATE 5/23/08	MATERIAL	
CHECKED BY	DATE	FINISH	
APPR.BY	DATE	WEIGHT —	SCALE = 1.00 :1
UNLESS OTHERWISE SPECIFIED: DIMENSIONS ARE IN INCHES &/OR (mm) TOLERANCES: DECIMAL: .XX[X.X] .XXX[X.XX] ± .0X[0.X] ± .00X[0.0X] FRACTION: X/X ANGLES: X ± X°		TITLE SWITCH SPNC MOMENTARY	
		DO NOT SCALE DWG.	SHEET 1 OF 1
		NEXUS STAMFORD, CONN	
		SIZE B	DWG. NO. NX202002R-XX

X-ON Electronics

Largest Supplier of Electrical and Electronic Components

Click to view similar products for [Pushbutton Switches](#) category:

Click to view products by [Amphenol](#) manufacturer:

Other Similar products are found below :

[8940K2012](#) [LW1L-M1C10V-A](#) [LW1L-M1C70-A](#) [LW2L-A1C20M-GD](#) [LW2L-M1C20M-A](#) [60324L](#) [M22-D-R-GB0/K11](#) [M7E-HRN2](#)
[67021K512](#) [67081K512X](#) [701PB580](#) [7190K101](#) [7199K101](#) [810K12910](#) [810KSV30B](#) [MML21EA2ADK](#) [MML21KA3ABK](#)
[MML23KA3AC05K-001](#) [MML23KW3AA01W](#) [8418K2](#) [8442K3](#) [8450K1](#) [860K11911T01A](#) [861901](#) [861K11911T01A07](#)
[861K13810T00A14](#) [861K13911](#) [8646AB6X718UL](#) [8646ABUL](#) [9001KXRK](#) [907AYY100](#) [PMHD155A1](#) [95-313.000](#)
[9533CD4+U574+U4922](#) [95-414.000](#) [99-450.837](#) [99-453.837](#) [PV3H2B0NN-341](#) [1203MRA](#) [A22NZBGANGA](#) [A22NZBMMNGA](#)
[A22NZBNANGA](#) [A22NZMPATRA](#) [A2PMA1X03EC56](#) [A3A-5123-02](#) [A3A-7140](#) [A3A-7310](#) [A3A-7340](#) [A3U-TMW-A2C-5M](#) [A595](#)