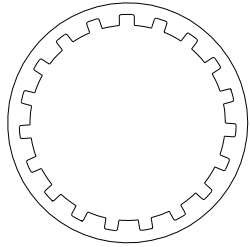
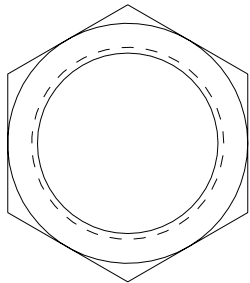


FOR REFERENCE ONLY

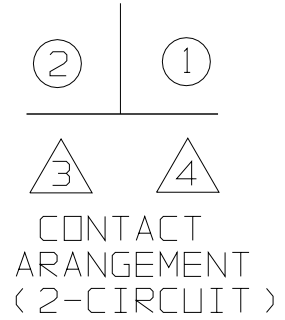
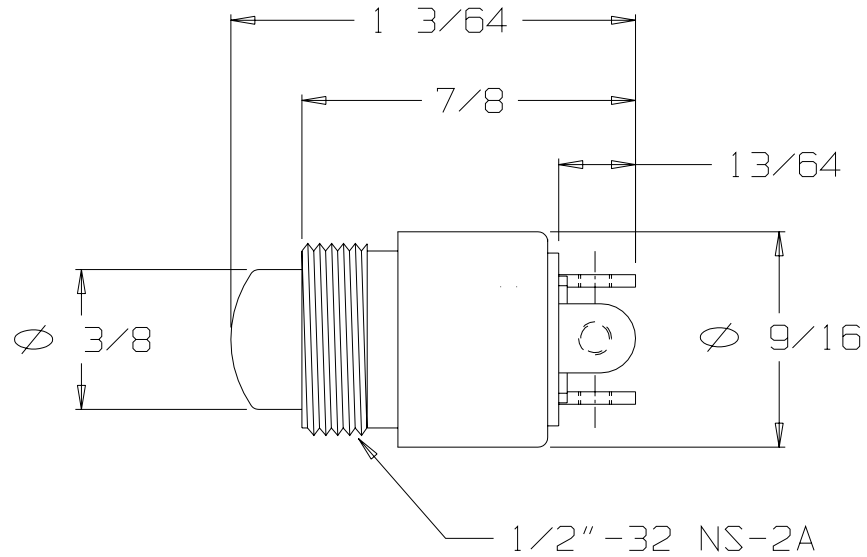
A NX203002B-30



SW-200-27
1/2" INTERNAL TOOTH
LOCKWASHER
(1)



SW-200-26
1/2"-32 NUT
(1)



STANDARD MOMENTARY SWITCH
2 CIRCUIT (CAN BE JUMPERED FOR SPDT)
BUTTON #2, COLOR BLACK
WITH NUT AND LOCKWASHER

THIS DOCUMENT CONTAINS PROPRIETARY INFORMATION OF NEXUS, INCORPORATED AND SUCH INFORMATION MAY NOT BE DISCLOSED TO OTHERS FOR ANY PURPOSE OR USED FOR ANY PURPOSE WITHOUT THE WRITTEN CONSENT OF NEXUS.

DWN. BY EWT	DATE 08/03/05	MATERIAL N/A		
CHECKED BY	DATE	FINISH N/A		
APPR. BY	DATE	WEIGHT ——— SCALE 2:1		
UNLESS OTHERWISE SPECIFIED DIMENSIONS ARE IN INCHES TOLERANCES ON		TITLE SWITCH MOMENTARY		
.XX .XXX ANGLES		<table border="1"> <tr> <td>SIZE A</td> <td>DWG. NO. NX203002B-30</td> </tr> </table>	SIZE A	DWG. NO. NX203002B-30
SIZE A	DWG. NO. NX203002B-30			
——— ±.003 ±.5°				
DO NOT SCALE DWG.	SHEET 1 OF 1			

A	INITIAL RELEASE		08/03/05	EWT
LET.	REVISION	CN #	DATE	CHK.

X-ON Electronics

Largest Supplier of Electrical and Electronic Components

Click to view similar products for [Pushbutton Switches](#) category:

Click to view products by [Amphenol](#) manufacturer:

Other Similar products are found below :

[8940K2012](#) [LW1L-M1C10V-A](#) [LW1L-M1C70-A](#) [LW2L-A1C20M-GD](#) [LW2L-M1C20M-A](#) [60324L](#) [M22-D-R-GB0/K11](#) [M7E-HRN2](#)
[67021K512](#) [67081K512X](#) [701PB580](#) [7190K101](#) [7199K101](#) [810K12910](#) [810KSV30B](#) [MML21EA2ADK](#) [MML21KA3ABK](#)
[MML23KA3AC05K-001](#) [MML23KW3AA01W](#) [8418K2](#) [8442K3](#) [8450K1](#) [860K11911T01A](#) [861901](#) [861K11911T01A07](#)
[861K13810T00A14](#) [861K13911](#) [8646AB6X718UL](#) [8646ABUL](#) [9001KXRK](#) [907AYY100](#) [PMHD155A1](#) [95-313.000](#)
[9533CD4+U574+U4922](#) [95-414.000](#) [99-450.837](#) [99-453.837](#) [PV3H2B0NN-341](#) [1203MRA](#) [A22NZBGANGA](#) [A22NZBMMNGA](#)
[A22NZBNANGA](#) [A22NZMPATRA](#) [A2PMA1X03EC56](#) [A3A-5123-02](#) [A3A-7140](#) [A3A-7310](#) [A3A-7340](#) [A3U-TMW-A2C-5M](#) [A595](#)