
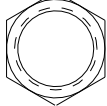
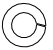
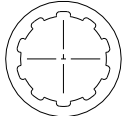

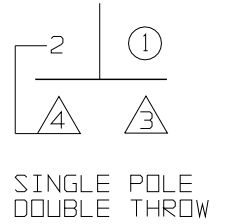
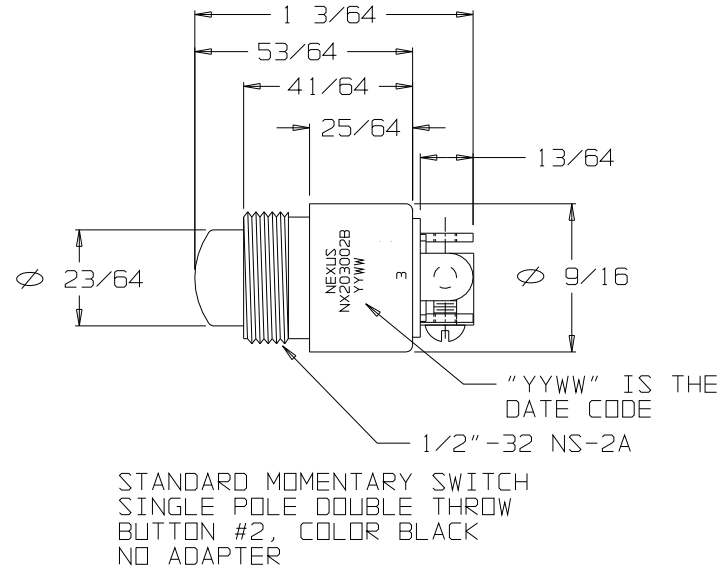


FOR REFERENCE ONLY

**B** NX206002B-XX

- |   |   |
|---|---|
|  |  |
| SW-200-23<br>TERMINAL<br>(4)  | SW-200-26<br>1/2-32 NUT<br>(1)  |
|  |  |
| SW-200-25<br>#2 LOCKWASHER<br>(4)   | SW-200-27<br>1/2<br>LOCKWASHER<br>(1)   |
|  |   |
| SW-200-72<br>#2-56 SCREW<br>(4)   |   |
| <u>TERMINAL<br/>HARDWARE</u>  | <u>MOUNTING<br/>HARDWARE</u>  |



ORDERING INFORMATION:

- |              |  |
|--------------|--|
| NX206002B-00 | SWITCH ONLY                                  |
| NX206002B-30 | SWITCH, MOUNTING HARDWARE                    |
| NX206002B-32 | SWITCH, MOUNTING HARDWARE, TERNIMAL HARDWARE |

THIS DOCUMENT CONTAINS PROPRIETARY INFORMATION OF NEXUS, INCORPORATED AND SUCH INFORMATION MAY NOT BE DISCLOSED TO OTHERS FOR ANY PURPOSE OR USED FOR ANY PURPOSE WITHOUT THE WRITTEN CONSENT OF NEXUS.

B	CHG: NX206002B-50 TO NX206002B-30; NX206002B-61 TO NX206002B-32	229	9/21/15	HR
A	INITIAL RELEASE		4/15/13	HR
LET.	REVISION	CN #	DATE	CHK.

DWN. BY	HR	DATE	4/15/13	MATERIAL	N/A
CHECKED BY		DATE		FINISH	N/A
APPR. BY		DATE		WEIGHT	—
				SCALE	N/A
UNLESS OTHERWISE SPECIFIED DIMENSIONS ARE IN INCHES				<b>NEXUS</b> <b>STAMFORD, CONN</b>	
TOLERANCES ON					
x/x	.xxx	ANGLES			
±1/64 ±.003 ±.5°				TITLE <b>SWITCH SPDT MOMENTARY</b>	
DO NOT SCALE DWG.				SHEET 1 OF 1	
SIZE	DWG. NO.		B NX206002B-XX		

## X-ON Electronics

Largest Supplier of Electrical and Electronic Components

*Click to view similar products for [Pushbutton Switches](#) category:*

*Click to view products by [Amphenol](#) manufacturer:*

Other Similar products are found below :

[8940K2012](#) [LW1L-M1C10V-A](#) [LW1L-M1C70-A](#) [LW2L-A1C20M-GD](#) [LW2L-M1C20M-A](#) [60324L](#) [M22-D-R-GB0/K11](#) [M7E-HRN2](#)  
[67021K512](#) [67081K512X](#) [701PB580](#) [7190K101](#) [7199K101](#) [810K12910](#) [810KSV30B](#) [MML21EA2ADK](#) [MML21KA3ABK](#)  
[MML23KA3AC05K-001](#) [MML23KW3AA01W](#) [8418K2](#) [8442K3](#) [8450K1](#) [860K11911T01A](#) [861901](#) [861K11911T01A07](#)  
[861K13810T00A14](#) [861K13911](#) [8646AB6X718UL](#) [8646ABUL](#) [9001KXRK](#) [907AYY100](#) [PMHD155A1](#) [95-313.000](#)  
[9533CD4+U574+U4922](#) [95-414.000](#) [99-450.837](#) [99-453.837](#) [PV3H2B0NN-341](#) [1203MRA](#) [A22NZBGANGA](#) [A22NZBMMNGA](#)  
[A22NZBNANGA](#) [A22NZMPATRA](#) [A2PMA1X03EC56](#) [A3A-5123-02](#) [A3A-7140](#) [A3A-7310](#) [A3A-7340](#) [A3U-TMW-A2C-5M](#) [A595](#)