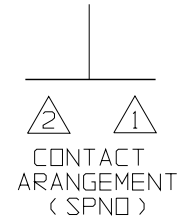
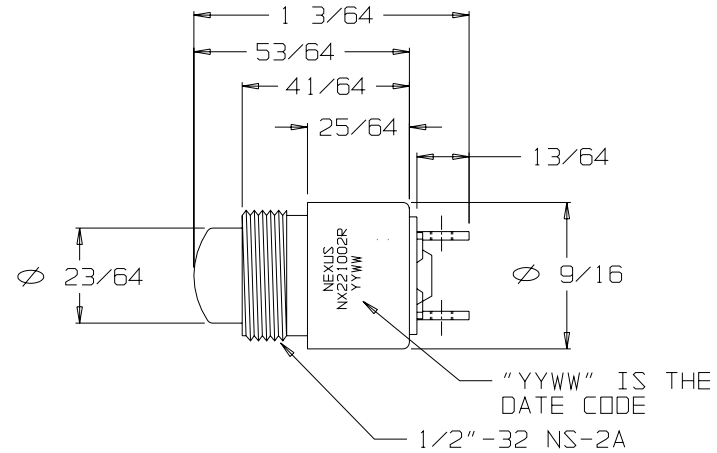


FOR REFERENCE ONLY

B NX221002B-XX

SPECIFICATIONS:

AC RATING: 10 AMPS @115VAC (RESISTIVE LOAD)
 5 AMPS @115VAC (INDUCTIVE LOAD)
 3 AMPS @115VAC (LAMP LOAD)
 DC RATING: 10 AMPS @28VDC (RESISTIVE LOAD)
 5 AMPS @28VDC (INDUCTIVE LOAD)
 3 AMPS @28VDC (LAMP LOAD)
 MECHANICAL LIFE: 500,000 CYCLES
 ACTION: MOMENTARY SNAP
 OPERATING FORCE: 2 TO 3 POUNDS
 WEIGHT: .050 POUNDS MAXIMUM
 CASE: ALUMINUM ALLOY 2011-T3,
 "EU" (ROHS COMPLIANT)
 CLEAR ANODIZED IAW MIL-A-8625
 PLUNGER: GLASS FILLED NYLON
 BODY: DIALLYL PHTHALATE IAW MIL-M-14
 TERMINALS: THREADED #2-56 NC-2B

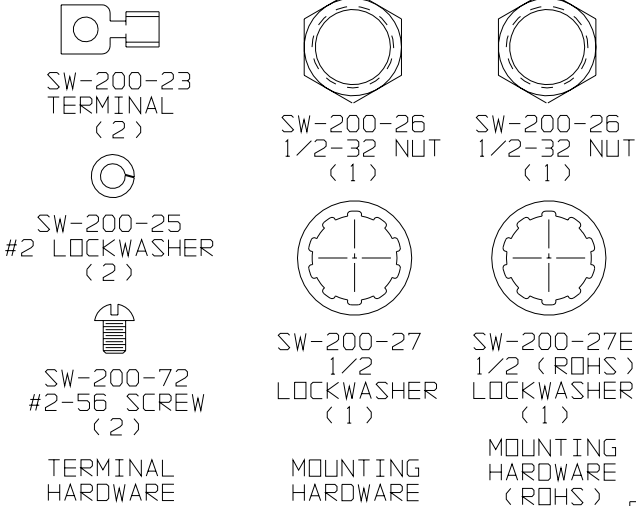


STANDARD MOMENTARY SWITCH
 SPNO - SINGLE POLE NORMALLY OPEN
 BUTTON #2, COLOR BLACK
 NO ADAPTER

ORDERING INFORMATION:

NX221002B-00 SWITCH ONLY
 NX221002B-30 SWITCH, MOUNTING HARDWARE
 NX221002B-31 SWITCH, MOUNTING HARDWARE, TERNIMAL HARDWARE
 NX221002B-00EU SWITCH (ROHS) ONLY
 NX221002B-30EU SWITCH (ROHS), MOUNTING HARDWARE (ROHS)
 NX221002B-31EU SWITCH (ROHS), MOUNTING HARDWARE (ROHS), TERNIMAL HARDWARE

THIS DOCUMENT CONTAINS PROPRIETARY INFORMATION OF NEXUS, INCORPORATED AND SUCH INFORMATION MAY NOT BE DISCLOSED TO OTHERS FOR ANY PURPOSE OR USED FOR ANY PURPOSE WITHOUT THE WRITTEN CONSENT OF NEXUS.



A	INITIAL RELEASE		12/15/06	EWT
LET.	REVISION	CN #	DATE	CHK.

DWN. BY	EWT	DATE	12/13/06	MATERIAL	N/A
CHECKED BY		DATE		FINISH	N/A
APPR. BY		DATE		WEIGHT	SCALE N/A
UNLESS OTHERWISE SPECIFIED DIMENSIONS ARE IN INCHES TOLERANCES ON				TITLE	
.XX .XXX ANGLES				SWITCH SPNO MOMENTARY	
±.003 ±.5°				DO NOT SCALE DWG. SHEET 1 OF 1	
				SIZE	DWG. NO.
				B	NX221002B-XX

NEXUS
 STAMFORD, CONN

X-ON Electronics

Largest Supplier of Electrical and Electronic Components

Click to view similar products for [Pushbutton Switches](#) category:

Click to view products by [Amphenol](#) manufacturer:

Other Similar products are found below :

[8940K2012](#) [LW1L-M1C10V-A](#) [LW1L-M1C70-A](#) [LW2L-A1C20M-GD](#) [LW2L-M1C20M-A](#) [60324L](#) [M22-D-R-GB0/K11](#) [M7E-HRN2](#)
[67021K512](#) [67081K512X](#) [701PB580](#) [7190K101](#) [7199K101](#) [810K12910](#) [810KSV30B](#) [MML21EA2ADK](#) [MML21KA3ABK](#)
[MML23KA3AC05K-001](#) [MML23KW3AA01W](#) [8418K2](#) [8442K3](#) [8450K1](#) [860K11911T01A](#) [861901](#) [861K11911T01A07](#)
[861K13810T00A14](#) [861K13911](#) [8646AB6X718UL](#) [8646ABUL](#) [9001KXRK](#) [907AYY100](#) [PMHD155A1](#) [95-313.000](#)
[9533CD4+U574+U4922](#) [95-414.000](#) [99-450.837](#) [99-453.837](#) [PV3H2B0NN-341](#) [1203MRA](#) [A22NZBGANGA](#) [A22NZBMMNGA](#)
[A22NZBNANGA](#) [A22NZMPATRA](#) [A2PMA1X03EC56](#) [A3A-5123-02](#) [A3A-7140](#) [A3A-7310](#) [A3A-7340](#) [A3U-TMW-A2C-5M](#) [A595](#)