

FOR REFERENCE ONLY

B NX223002B-XX

SPECIFICATIONS:

AC RATING: 10 AMPS @115VAC (RESISTIVE LOAD)
 5 AMPS @115VAC (INDUCTIVE LOAD)
 3 AMPS @115VAC (LAMP LOAD)

DC RATING: 10 AMPS @28VDC (RESISTIVE LOAD)
 5 AMPS @28VDC (INDUCTIVE LOAD)
 3 AMPS @28VDC (LAMP LOAD)

MECHANICAL LIFE: 500,000 CYCLES
 ELECTRICAL ENDURANCE: 20,000 CYCLES @ SEA LEVEL
 5,000 CYCLES @ 50,000 FEET

ACTION: MOMENTARY SNAP

OPERATING FORCE:
 SERIES 20 & 30: 3 TO 5 POUNDS MOMENTARY
 1/2 TO 2 POUNDS PUSH-PULL

SERIES 22 & 32: 2 TO 3 POUNDS MOMENTARY

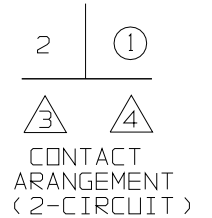
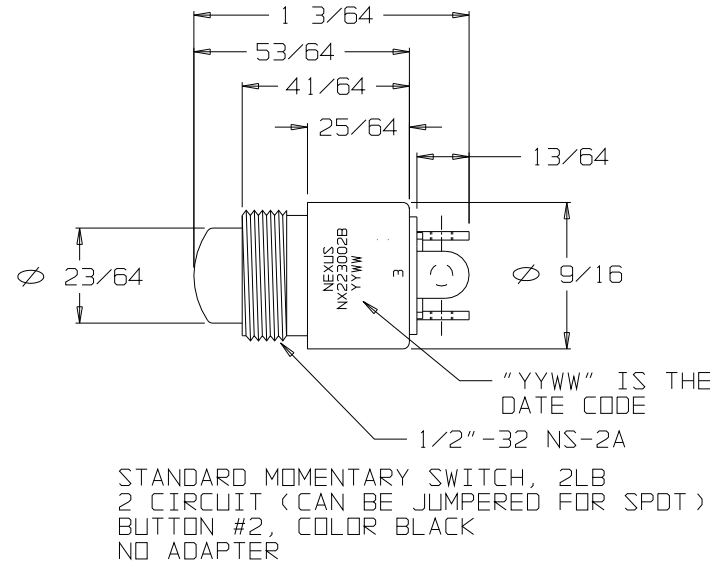
WEIGHT: .050 POUNDS MAXIMUM

CASE: ALUMINUM ALLOY 2011-T3,
 "EU" (ROHS COMPLIANT)
 CLEAR ANODIZED IAW MIL-A-8625

PLUNGER: GLASS FILLED NYLON

BODY: DIALLYL PHTHALATE IAW MIL-M-14

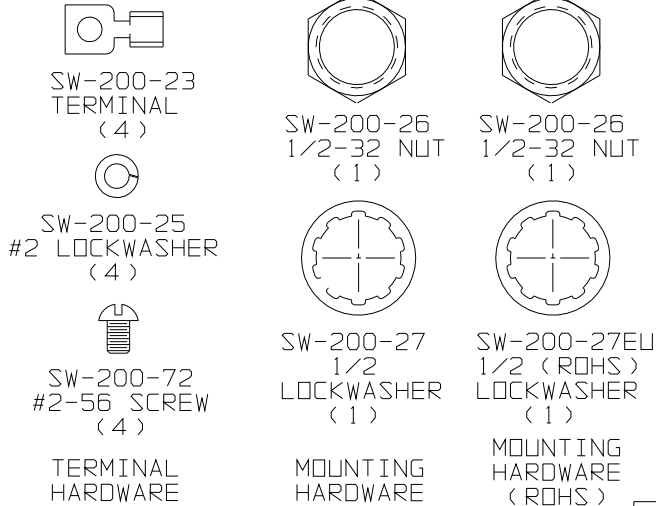
TERMINALS: THREADED #2-56 NC-2B



ORDERING INFORMATION:

NX223002B-00 SWITCH ONLY
 NX223002B-60 SWITCH, MOUNTING HARDWARE
 NX223002B-61 SWITCH, MOUNTING HARDWARE, TERNIMAL HARDWARE
 NX223002B-00EU SWITCH (ROHS) ONLY
 NX223002B-60EU SWITCH (ROHS), MOUNTING HARDWARE (ROHS)
 NX223002B-61EU SWITCH (ROHS), MOUNTING HARDWARE (ROHS), TERNIMAL HARDWARE

THIS DOCUMENT CONTAINS PROPRIETARY INFORMATION OF NEXUS, INCORPORATED AND SUCH INFORMATION MAY NOT BE DISCLOSED TO OTHERS FOR ANY PURPOSE OR USED FOR ANY PURPOSE WITHOUT THE WRITTEN CONSENT OF NEXUS.



DWN. BY	EWT	DATE	4/16/07	MATERIAL	N/A
CHECKED BY		DATE		FINISH	N/A
APPR. BY		DATE		WEIGHT	SCALE N/A
UNLESS OTHERWISE SPECIFIED DIMENSIONS ARE IN INCHES TOLERANCES ON				TITLE	
.XX .XXX ANGLES				SWITCH 2-CIRCUIT MOMENTARY 2LB	
±.003 ±.5°				DO NOT SCALE DWG. SHEET 1 OF 1	
NEXUS STAMFORD, CONN				SIZE	DWG. NO.
B				NX223002B-XX	

A	INITIAL RELEASE		4/16/07	EWT
LET.	REVISION	CN #	DATE	CHK.

X-ON Electronics

Largest Supplier of Electrical and Electronic Components

Click to view similar products for [Pushbutton Switches](#) category:

Click to view products by [Amphenol](#) manufacturer:

Other Similar products are found below :

[8940K2012](#) [LW1L-M1C10V-A](#) [LW1L-M1C70-A](#) [LW2L-A1C20M-GD](#) [LW2L-M1C20M-A](#) [60324L](#) [M22-D-R-GB0/K11](#) [M7E-HRN2](#)
[67021K512](#) [67081K512X](#) [701PB580](#) [7190K101](#) [7199K101](#) [810K12910](#) [810KSV30B](#) [MML21EA2ADK](#) [MML21KA3ABK](#)
[MML23KA3AC05K-001](#) [MML23KW3AA01W](#) [8418K2](#) [8442K3](#) [8450K1](#) [860K11911T01A](#) [861901](#) [861K11911T01A07](#)
[861K13810T00A14](#) [861K13911](#) [8646AB6X718UL](#) [8646ABUL](#) [9001KXRK](#) [907AYY100](#) [PMHD155A1](#) [95-313.000](#)
[9533CD4+U574+U4922](#) [95-414.000](#) [99-450.837](#) [99-453.837](#) [PV3H2B0NN-341](#) [1203MRA](#) [A22NZBGANGA](#) [A22NZBMMNGA](#)
[A22NZBNANGA](#) [A22NZMPATRA](#) [A2PMA1X03EC56](#) [A3A-5123-02](#) [A3A-7140](#) [A3A-7310](#) [A3A-7340](#) [A3U-TMW-A2C-5M](#) [A595](#)